

Bill Acceptor

EBA-30/31-SD3 (EBA-30/31)

EBA-32/33-SD3 (EBA-32/33)

EBA-34/35-SD3 (EBA-34/35)

CHAPTER 8

Contents

Exploded View & Parts List

1. General
2. Acceptor Head Unit
3. SD3 Stacker Unit
4. SD3 Stacker Box
5. Faceplate Unit

Issue: 10/2007

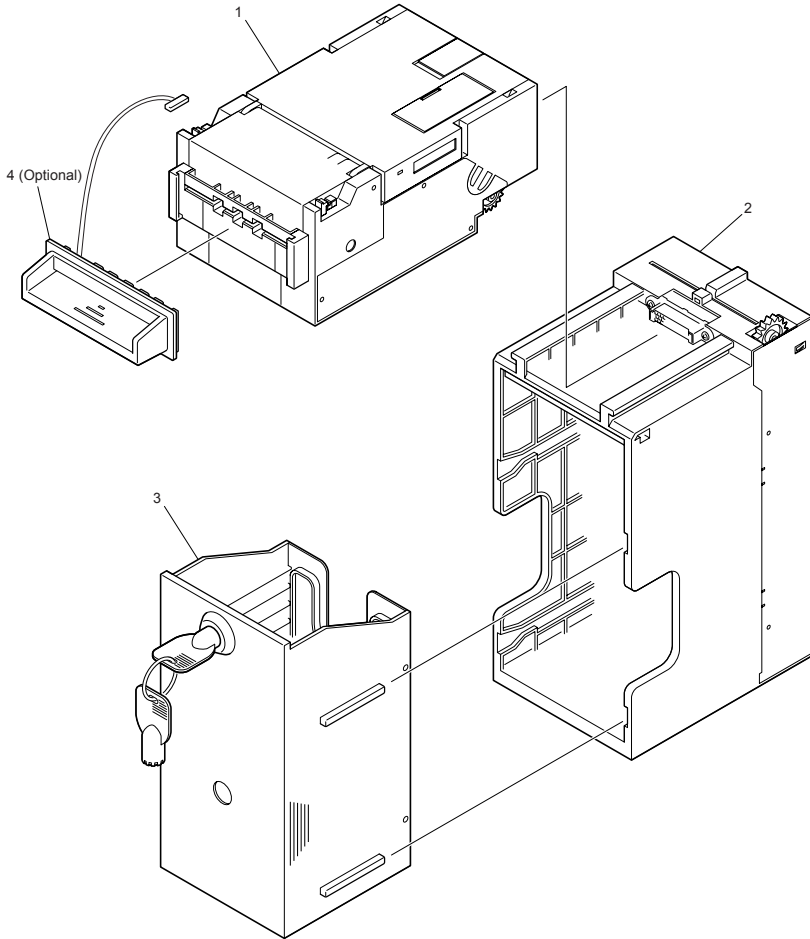


JAPAN CASH/MACHINE CO., LTD.

Copyright © 1998 Japan Cash Machine Co.Ltd. All rights reserved.

1. General

1-1 Exploded View



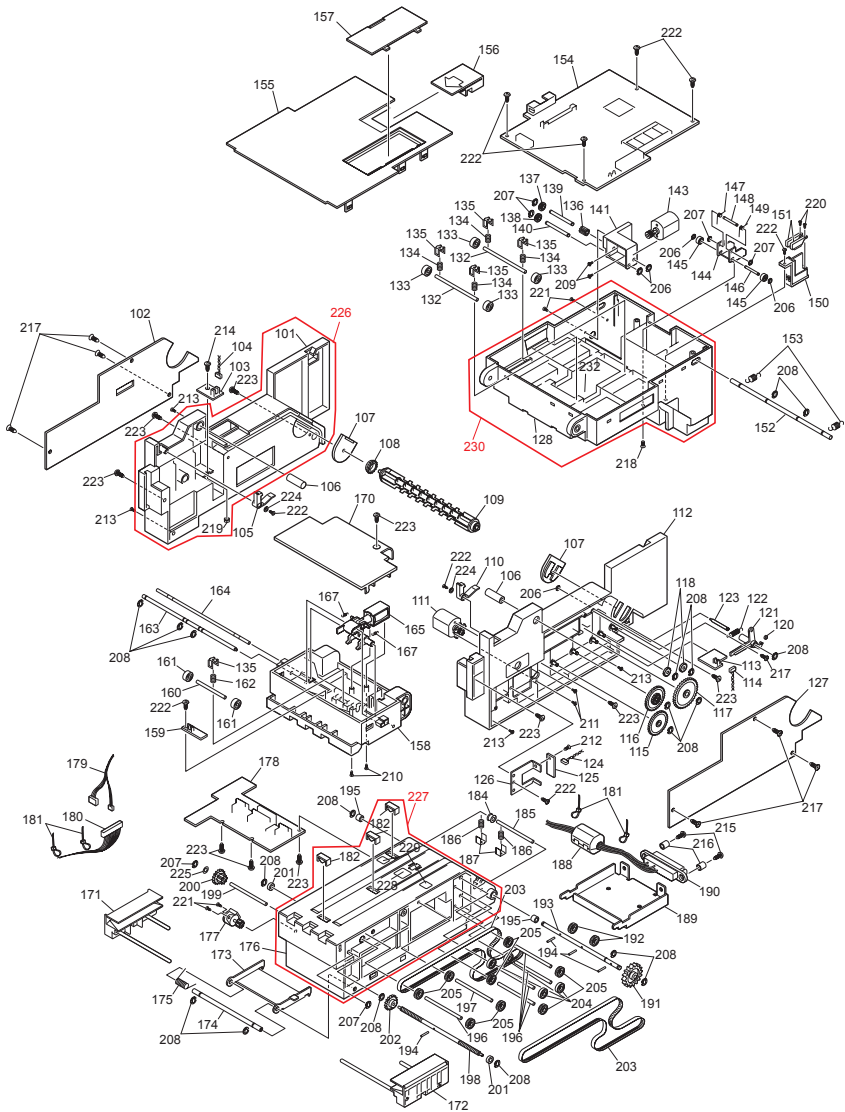
1-2 Parts List

No.	EDP No.	Parts No.	Description	Remarks
1	*1		EBA-30 ACCEPTOR HEAD R	
2	127419		SD3 STACKER UNIT R	
3	*1		SD3 STACKER BOX R	
4	120715		BEZEL WITHOUT LED BOARD	
4	094263		BEZEL WITH LED BOARD R	
4	136319		EBA-30 BLUE BEZELADP	

*1 For the EDP#, please contact JCM headquarters.

2. Acceptor Head Unit

2-1 Exploded View



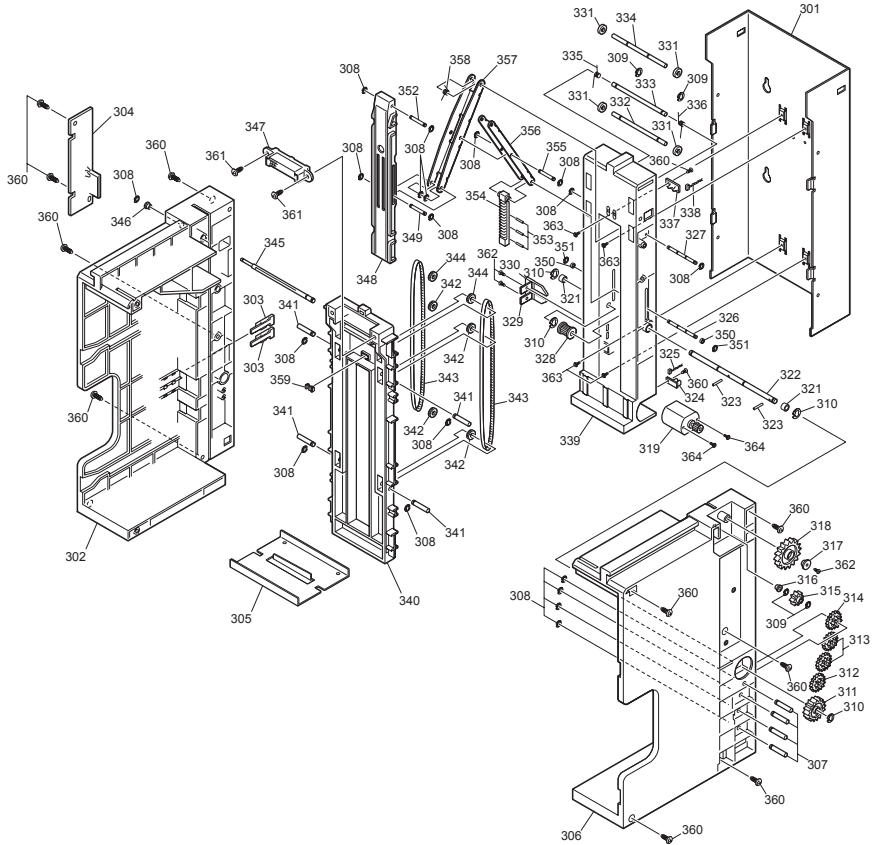
2-2 Parts List

No.	EDP No.	Parts No.	Description	Remarks
101	119278	4014RE0102E	GUIDE 30B*R	
102	119315	4014RE0151D	S GUIDE COVER A*R	
103	118861	660-3120-06-13A-01	PHOTO INTERRUPTER*D	
104		3120-05-18A	HOME SENSOR HARNESS*R	
105	119297	4014RE0119A	F GUIDE LATCH*L*R	
106	091097	4014ST0106A	GUIDE STUD	
107	119307	4014RE0128A	BEARING ROLL G*R	
108	119334	4014RE0147C	GEAR ROLL FINAL*R	
109	119284	4014RE0108B	ROLL GUIDE*R	
110	119296	4014RE0118A	F GUIDE LATCH*R	
111	121541		EBA-30 FEED MOTOR ASSY	
112	119277	4014RE0101D	GUIDE 30A*R	
113	118860	660-3120-06-12A-01	PB HOME POSITION SENSOR BOARD*R	
114	118853	3120-05-17A	PB HOME SENSOR HARNESS*R	
115	119293	4014RE0131B	GEAR TR 2ND*R	
116	119295	4014RE0132B	GEAR TR 3RD*R	
117	119301	4014RE0133B	GEAR TR 4TH*R	
118	119311	4014RE0134C	GEAR TR 5TH*R	
120	119313	4014RE0150A	ROLLER ROLL ARM*R	
121	119294	4014RE0117C	ROLL G ARM*R	
122	091105	4014TS0102	ROLL G SPRING	
123	091096	4014ST0105	ROLL ARM STUD	
124	118757	3120-05-14A	FEED MOTOR ENCODER HARNESS*R	
125	118858	660-3120-06-04A-01	FEED MOTOR ENCODER SENSOR BOARD*R	
126	091229	4014PT0101	PCB BRACKET	
127	119316	4014RE0152D	S GUIDE COVER B*R	
128	119280	4014RE0104D	GUIDE 30D*R	
132	091089	4014SH0104A	SHAFT TR	
133	119299	4014RE0121B	ROLLER TR1*R	
134	091098	4014CS0101	TR SPRING	
135	119331	4014RE0144B	SPRING ROCK RO*R	
136	119326	4014RE0139A	GEAR ROLL 2ND*R	
137	119327	4014RE0140B	GEAR ROLL 3RD*R	
138	119328	4014RE0141B	GEAR ROLL 4TH*R	
139	091091	4014SH0106A	SHAFT WORM H	
140	091092	4014SH0107A	SHAFT OUT G BOX	
141	119329	4014RE0142C	GEAR BOX ROLL*L*R	
143	089441	CN16-04101	PB MOTOR ASSY (With Harness)	
144	091232	4014PT0105	TR ROLLER BRA	
145	119300	4014RE0122B	ROLLER TR2*R	
146	091094	4014SH0109A	SHAFT B ROLLER	
147	091102	4014KS0102	B ROLL SPRING A	
148	091095	4014SH0110A	SHAFT B RO SP	
149	091103	4014KS0103	B ROLL SPRING B	
150	119289	4014RE0113A	PRISM GUIDE*R	
151	119290	4014RE0114B	PRISM POSITION*R	
152	091088	4014SH0103	SHAFT TR LATCH	
153	067486	0659TS101	OPENS PRING	
154	118862	660-3120-06-01F-01	CPU BOARD*R	EBA-30/31
154	118863	660-3120-06-20C-01	CPU BOARD*R	EBA-32/33
154	117650	660-3120-06-25C-01	CPU BOARD*R	EBA-34/35
155	119312	4014RE0149E	B GUIDE COVER*R	
156	119332	4014RE0145A	TR OPEN BUTTON*R	
157	119312	0659RE0112A	ROM COVER WIDE*R	
158	119281	4014RE0105D	GUIDE 30E*R	
159	118859	660-3120-06-10A-01	ENTRY SOLENOID*R	
160	091093	4014SH0108A	SHAFT P ROLLER	
161	119298	4014RE0120B	ROLLER MOVE G*R	
162	091099	4014CS0102	MOVE SPRING	
163	091083	4014BE0104	BEAM SOL SHAFT	
164	091084	4014BE0105A	BEAM SOL LEVER	
165	089450	TDS-05B	SOLENOID PARTS ASSY	
167	091104	4014TS0101	SOL SPRING	

No.	EDP No.	Parts No.	Description	Remarks
170	119310	4014RE0148D	F GUIDE COVER*R	
171	119283	4014RE0107B	MOVE GUIDE B*R	
172	119282	4014RE0106B	MOVE GUIDE A*R	
173	091231	4014PT0104	TR LATCH	
174	091085	4014BE0106	BEAM TR LATCH	
175	091101	4014KS0101	TR LATCH SPRING	
176	119279	4014RE0103E	GUIDE 30C*R	
177	089443	PM15S-020-ZWM2A	STEPPING MOTOR	
178	118868	660-3120-06-02D-01	SENSOR BOARD*R	
179	118739	3120-05-11A	ENTRANCE SOL SENSOR HARNESS*R	
180	118735	3120-05-10A	SENSOR BOARD HARNESS*R	
181	094015	T-18S	PLT.6SM	
182	091079	4014RE0155B	SQUARE PRISM E30	
184	119303	4014RE0124B	ROLLER MG*R	
185	091090	4014SH0105A	SHAFT MG ROLLER	
186	091100	4014CS0103	MG SPRING	
187	119330	4014RE0143B	SPRING ROCK MG*R	
188	088427		RFC-9	
189	106753	4014PT0102A	LOW COVER	
190	118747	3120-05-12A	RELAY CONNECTOR(J) HARNESS*R	
191	119314	4014RE0135B	GEAR TR FINAL*R	
192	091168	4014RE0125A	PULLEY D*R	
193	091086	4014SH0101A	SHAFT DRIVE	
194	091515		1.6X8 PARALELL PIN	
195	119308	4014RE0129A	BEARING TR*R	
196	091080	4014BE0101A	BEAM PU 1	
197	091081	4014BE0102A	BEAM PU 2	
198	119514	4014SC0101B	MOVE SCREW*R	
199	096144	4014BE0103B	BEAM GEAR	
200	119317	4014RE0136A	GEAR MOVE 2ND*R	
201	119306	4014RE0127B	BEARING MOVE*R	
202	119321	4014RE0137B	GEAR MOVE FINAL*R	
203	091306	40S1.5M366	TIMING BELT	
204	119302	4014RE0123A	ROLLER PU*R	
205	091169	4014RE0126A	PULLEY TR*R	
206	091518		ERING dia.1.5 SUS(TAIYO)	
207	091517		ERING dia.2 SUS(TAIYO)	
208	091516		ERING dia.3 SUS(TAIYO)	
209	091532		M1.7X3 SCREW WITH WASHER (S): CHROME FREE	
210	093071		M2X5 SCREW WITH WASHER (S): CHROME FREE	
211	091533		M2.5X5 SCREW WITH WASHER (S) WCM	
212	093072		M2.6X5 SCREW WITH WASHER (S): CHROME FREE	
213	091531		M2.6X6 SCREW WITH WASHER (S): CHROME FREE	
214	091534		M2.6X8 SCREW WITH WASHER (S): CHROME FREE	
215	091535		M3X12 SCREW WITH WASHER (L): CHROME FREE	
216	091550		3X6 ROLLER BUSH	
217	091523		2X5P TIGHT HEAD 4.5 H5 RAMIKUSU CHROME FREE	
218	091529		M2.6X5 FLAT SCREW: CHROME FREE	
219	091536		M2.6 HEXAGON NUT (2 TYPES): CHROME FREE	
220	091525		NORMAL DESIGNATION: 1.6X6 P TIGHT SCREW CHROME FREE	
221	093073		NORMAL DESIGNATION: 2X5 PS TIGHT 2 CHROME FREE	
222	091527		NORMAL DESIGNATION: 2.6X6 P TIGHT BINDING CHROME FREE	
223	091526		NORMAL DESIGNATION: 2.6X8 P TIGHT BINDING CHROME FREE	
224	091537		2.6X8X0.5 WASHER CHROME FREE	
225	062096		POLLY SLIDER	
226	120777		EBA-30 GUIDE B ASSY	101&219
227	120149		EBA-30 GUIDE C ASSY 3*R	176&182&228&229
228	119287	4014RE0111B	SENSOR COVER A*R	
229	119288	4014RE0112B	SENSOR COVER B*R	
230	120150		EBA-30 GUIDE D ASSY 2	128&232
231	119322	0659RE0103B	SQUARE PRISM*R	
232	119318	4014RE0153C	SENSOR COVER UV*R	

3. SD3 Stacker Unit

3-1 Exploded View

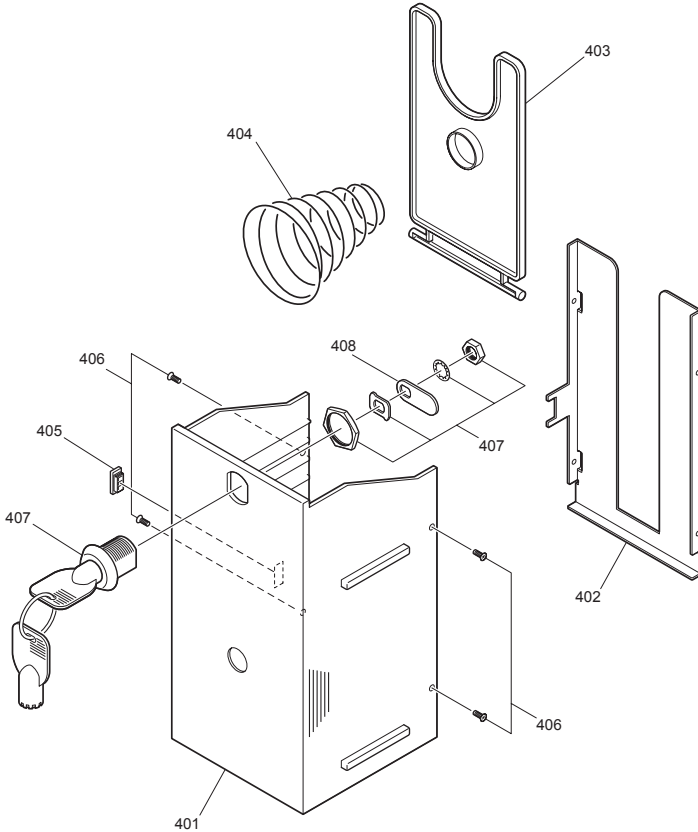


3-2 Parts List

No.	EDP No.	Parts No.	Description	Remarks
301	098200	0660PT0201B	ST FRAME	
302	119355	0660RE0202E	BOX GUIDE L*R	
303	119375	0660RE0220A	PRISMA*R	
304	118865	660-3120-06-07C-01	STACKER BOARD*R	
305	091156	0660PT0204	ST BASE	
306	119354	0660RE0201E	BOX GUIDER*R	
307	091188	0660SH0214A	PUSH G SHAFT 3	
308	091517		ERING dia.2 SUS(TAIYO)	
309	091516		ERING dia.3 SUS(TAIYO)	
310	093074		ERING dia.4 SUS(TAIYO)	
311	119370	0660RE0214B	GEAR PUSH 3*R	
312	119367	0660RE0212B	GEAR PUSH*R	
313	119369	0660RE0213B	GEAR PUSH 2*R	
314	119383	0660RE0228B	GEAR PUSH 5*R	
315	119363	0660RE0209B	GEAR BOX*R	
316	119364	0660RE0210A	BEARING0406*R	
317	119361	0660RE0208B	BEARING*R	
318	119360	0660RE0207B	GEAR TR3*R	
319	118852	182331-165-G-3	STACKER MOTOR ASSY (Harness/Pinion)*R	
321	119308	4014RE0129A	BEARING TR*R	
322	091177	0660SH0206A	PUSH G SH FINAL	
323	091515		1.6X8 PARALELL PIN	
324	118857	660-3120-06-11A-01	PHOTOINTERRUPTER*R	
325	118766	3120-05-16A	STACKER ENCODER SENSOR HARNESS*R	
326	091176	0660SH0205A	LINK RACK SHAFT	
327	091172	0660SH0203A	LINK B SHAFT	
328	119371	0660RE0215B	GEAR PUSH 4*R	
329	119374	0660RE0219B	PRISML*R	
330	119373	0660RE0218B	PRISMR*R	
331	119378	0660RE0225A	ROLLER 031204*R	
332	091182	0660SH0211	ST ROLLER SHAFT 2	
333	091178	0660SH0207	SPRING SHAFT	
334	091170	0660SH0202A	ST RO SHAFT 1	
335	091162	0660KS0202	ST TR SPRING B	
336	091160	0660KS0201	ST TR SPRING A	
337	118848	660-3120-06-05A-01	PHOTOSENSOR*R	
338	118762	3120-05-15A	STACKER IN SENSOR HARNESS*R	
339	119356	0660RE0203D	PUSH BASE*R	
340	119357	0660RE0204C	BILL RAIL*R	
341	091180	0660SH0208A	PULLEY SHAFT	
342	119380	0660RE0226A	PULLEY ST01*R	
343	091305	30S1.5M290	TIMINGBELT	
344	119382	0660RE0227A	PULLEY ST02*R	
345	091165	0660SH0201A	PULLEY D SHAFT	
346	119377	0660RE0222A	BEARING0306*R	
347	118752	3120-05-13A	RELAY CONNECTOR HARNESS*R	
348	119358	0660RE0205B	PUSH PLATE*R	
349	091186	0660SH0213	LINK PP SHAFT 2	
350	119372	0660RE0216A	BEARING0204*R	
351	091518		ERING dia.1.5 SUS(TAIYO)	
352	091184	0660SH0212A	LINK PP SHAFT 1	
353	091189	0660SH0215A	PUSHROLLER	
354	119359	0660RE0206B	RACK*R	
355	091174	0660SH0204A	LINK C SHAFT	
356	091153	0660PT0202A	PUSH LINK 1	
357	091154	0660PT0203A	PUSH LINK 2	
358	091163	0660KS0203	PUSH LINK SPRING	
359	091079	4014RE0155B	SQUARE PRISM E30*R	
360	091526		NORMAL DESIGNATION:2.6X8PTIGHT BINDING CHROME FREE	
361	091519		NORMAL DESIGNATION:3X8PTIGHT BINDING CHROME FREE	
362	093073		NORMAL DESIGNATION:2X5 PS TIGHT 2 CHROME FREE	
363	093072		M2.6X5 SCREW WITH WASHER (S):CHROME FREE	
364	091533		M2.5X5 SCREW WITH WASHER (S) CM	

4. SD3 Stacker Box

4-1 Exploded View

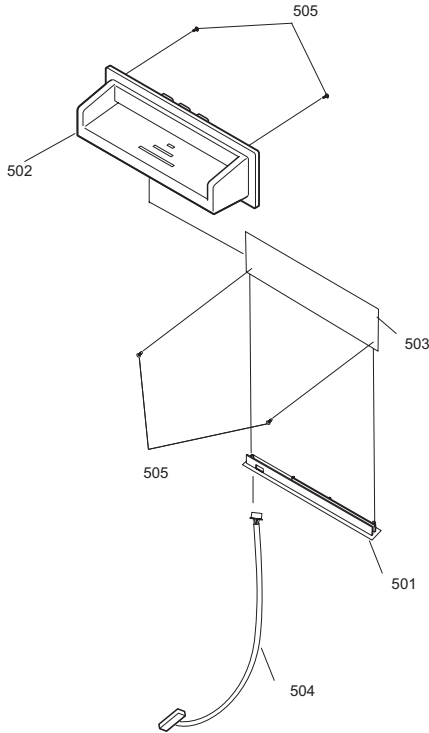


4-2 Parts List

No.	EDP No.	Parts No.	Description	Remarks
401	119384	0660RE0301C	SD3 BOX*R	
402	091158	0660PT0301A	BOX RAIL	
403	119385	0660RE0302B	RECEIVERBOARD*R	
404	057259	0606CS0401	BOX SPRING	
405	119387	0660RE0303B	PRISMBOX*R	
406	091529		M2.6X5 FLAT SCREW :CHROME FREE	
407	032057	C-88-1	COIN LOCK	
408	119389	0660RE0304B	TANG*R	

5. Faceplate Unit

5-1 Exploded View



5-2 Parts List

No.	EDP No.	Parts No.	Description	Remarks
501	119324	4014RE1002B	ENTRANCESENSORHOLDER*R	
502	119325	4014RE1001C	EBAINSGUIDE*R	
503	094774	660-3120-06-36A-01	LED BOAD*R	
504	094773	3120-05-19A	LED HARNESS	
505	091523		P TIGHT CROME FREE M2X5 HEAD4.5 HIGHT5	