

BLACKMER PARTS LIST

**Pump Models: LGL156C, LGL158C
and Discontinued LGL154C**

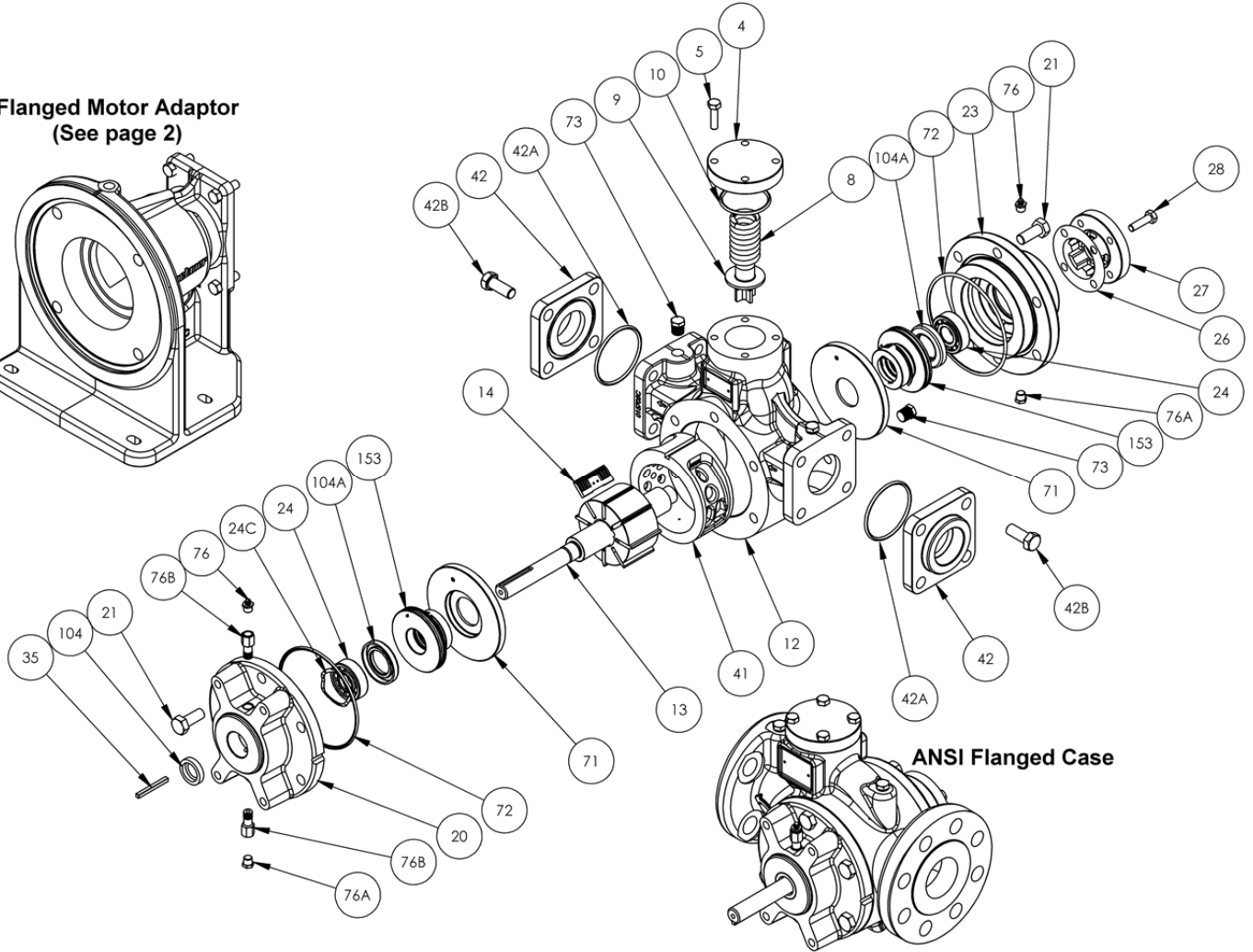
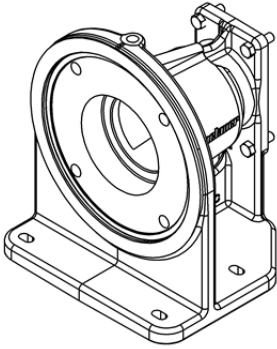
Keep with Installation, Operation and Maintenance Instructions 501-K00

960438
Page 1 of 4

**PARTS LIST
501-K01**

Section 501
Effective Oct 2015
Replaces Jul 2014

**Flanged Motor Adaptor
(See page 2)**



ANSI Flanged Case

Ref. No.	Description	Parts Per Pump	Part No.	Ref. No.	Description	Parts Per Pump	Part No.
4	Cover - Relief Valve (R/V)	1	415701	35	Key - Shaft	1	¹ 909153
5	Capscrews - R/V Cover	4	920122	41	Liner (LGL158)	1	185701
8	Spring - R/V (225 psi)	1	471400		Liner (LGL156)		185710
9	Valve - R/V	1	455701		Liner (LGL154)		185711
10	O-Ring - R/V Cover	1	¹ 711924	42	Flanges		See page 3
12	Casing - 4 Bolt Flange	1	015705	71	Disc	2	¹ 065701
	Casing - ANSI Flange		015702	72	O-Ring - Head	2	¹ 702169
13	Rotor & Shaft Asy.	1	265703	73	Gage Plug	2-4	908198
14	Vane - Duravane	8	¹ 094860	74	Key - Liner	1	909177
20	Head Inboard	1	035705	76	Grease Fitting	2	317815
21	Capscrews - Head	12	920468	76A	Grease Relief Fitting	2	701992
23	Head Outboard	1	035703	76B	Grease Fitting Extension	2	701905
24	Ball Bearing	2	¹ 903148	104	Grease Seal - Outer	1	¹ 331921
24C	Bearing Spring	1	¹ 903187	104A	Grease Seal - Inner	2	¹ 335702
26	Shim Kit (6 ea: .002", .005" & .010")	Varies	¹ 905172	—	Kit - Maintenance	—	899222
27	Bearing Cover	1	045701	—	Priming Valve	—	455750
28	Capscrews - Bearing Cover	4	920122	—	(for Underground Tank Installations)	—	

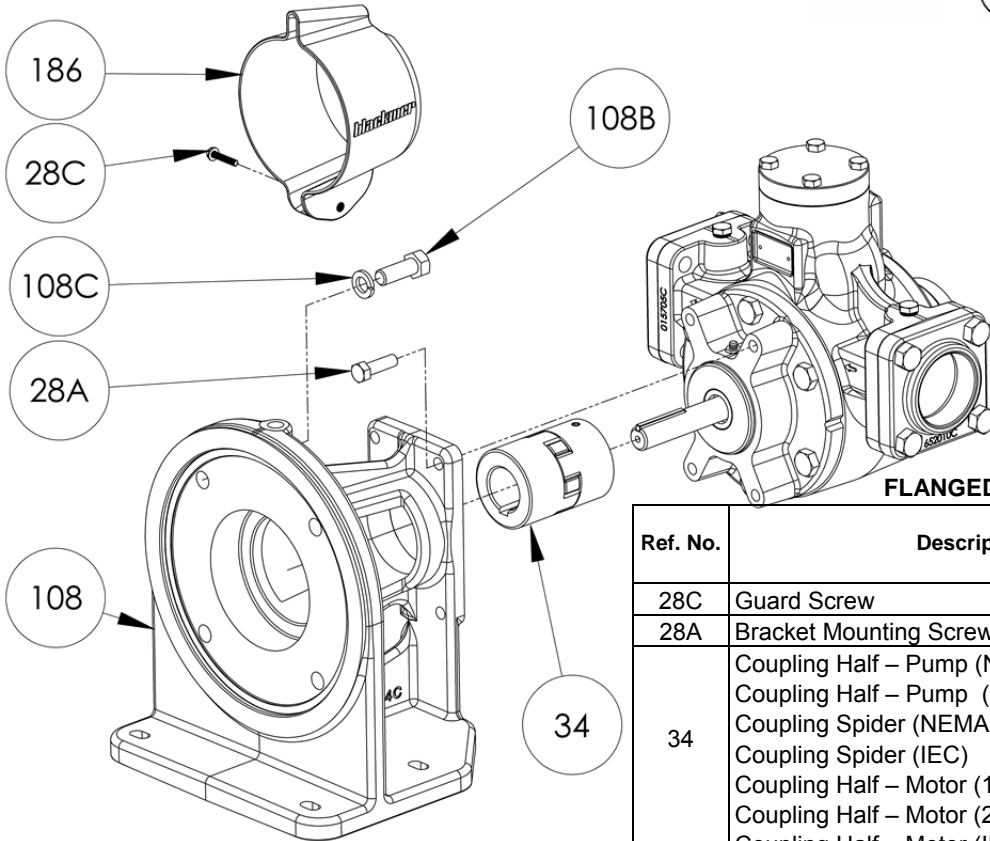
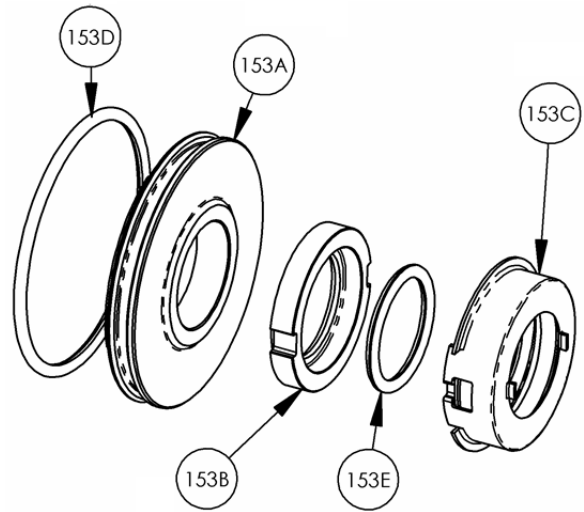
¹ Included in Maintenance Kit.

MECHANICAL SEAL – LPG

Ref. No.	Description	Parts Per Pump	Part No.
153	Mechanical Seal Assembly - SNCN	2	¹ 335703
153A	Stationary Seat (Steel)	2	**
153B	Seal Face (Carbon)	2	**
153C	Jacket Assembly	2	**
153D	O-Ring - Stationary (Buna-N)	2	701934
153E	O-Ring Rotating (Buna-N)	2	711917

¹ Included in Maintenance Kit and Rebuild Kit

** Mechanical Seal Ref. No. 153 is only sold as a complete assembly. Ref. Nos. 153A, 153B & 153C are not available as separate replacement parts.



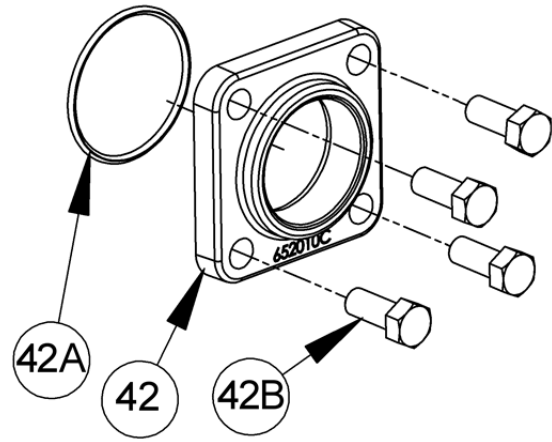
FLANGED MOTOR ADAPTOR

Ref. No.	Description	Parts per Pump	Part No.
28C	Guard Screw	1	920026
28A	Bracket Mounting Screws	4	920359
34	Coupling Half – Pump (NEMA)	1	906033
	Coupling Half – Pump (IEC)		906181
	Coupling Spider (NEMA)	1	906034
	Coupling Spider (IEC)		906178
	Coupling Half – Motor (182TC,184TC,215C)	1	906164
	Coupling Half – Motor (213TC, 215TC)		906032
	Coupling Half – Motor (IEC 112)		906180
	Coupling Half - Motor (IEC 132)		906179
108	Mounting Bracket – NEMA	1	833004
	Mounting Bracket – IEC 100/112 B5		833005
	Mounting Bracket – IEC 132 B14		833006
108B	Motor Mounting Screw (NEMA)	4	098277
	Motor Mounting Screw (IEC 100/112)		920055
	Motor Mounting Screw (IEC 132)		920050
108C	Lockwasher (NEMA)	4	909706
	Lockwasher (IEC 100/112)		909707
	Lockwasher (IEC132)		793095
186	Guard	1	804120



FLANGE OPTIONS (4 Bolt flange cases)

Ref. No.	Description	Parts per Pump	Part No.
42	Flange – 2" NPT	0 2	652010
	Flange – 2" Slip-on Weld		652024
	Flange – 2" Socket Weld El		655109
	Flange – 1.5" NPT		652028
	Flange – 1.5" Slip-on Weld		652026
	Flange – 1.25" NPT		652029
	Flange – 1.25" Slip-on Weld		652027
42A	O-Ring – Flange (Buna-N)	2	702004
42B	Capscrews – Flange	8	920491

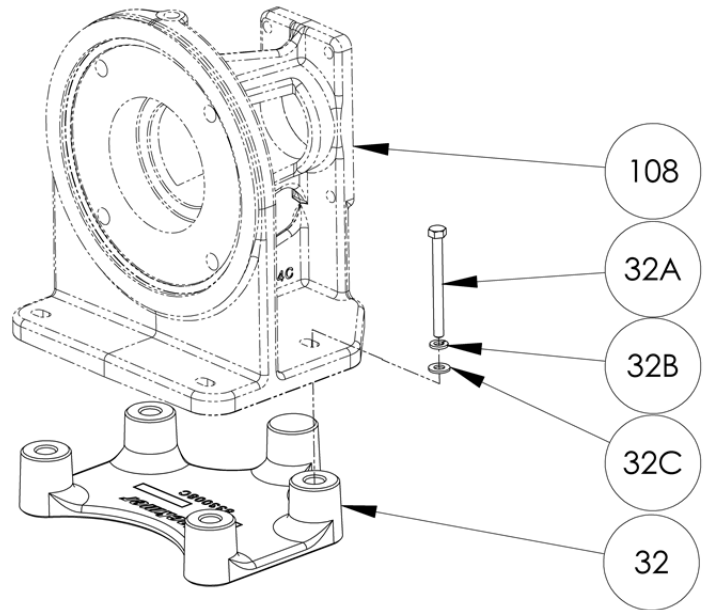


ANSI Flange Kit Part Number 655701 with:

Description	Qty	Description	Qty
Flange, 2" NPS, ANSI 300# RF Threaded	1	Flange, 1.5" NPS, ANSI 300# RF Threaded	1
Gasket 2", 600#	1	Gasket 1.5", 600#	1
Stud 5/8-11 x 3 1/2	8	Stud 3/4-10 x 3 3/4	4
Heavy Hex Nut 5/8-11	8	Heavy Hex Nut 3/4-10	4

OPTIONAL RISER SPACER

32	Bracket Riser	1	833008
32A	Capscrews - Bracket	4	920246
32B	Mounting Lockwashers	4	909613
32C	Mounting Washers	4	790494



BLANK



1809 Century Avenue, Grand Rapids, Michigan 49503-1530, U.S.A.
Telephone: (616) 241-1611 / Fax: (616) 241-3752
E-Mail: blackmer@blackmer.com / Internet: www.blackmer.com

Parts List 501-K01
Page 4 of 4