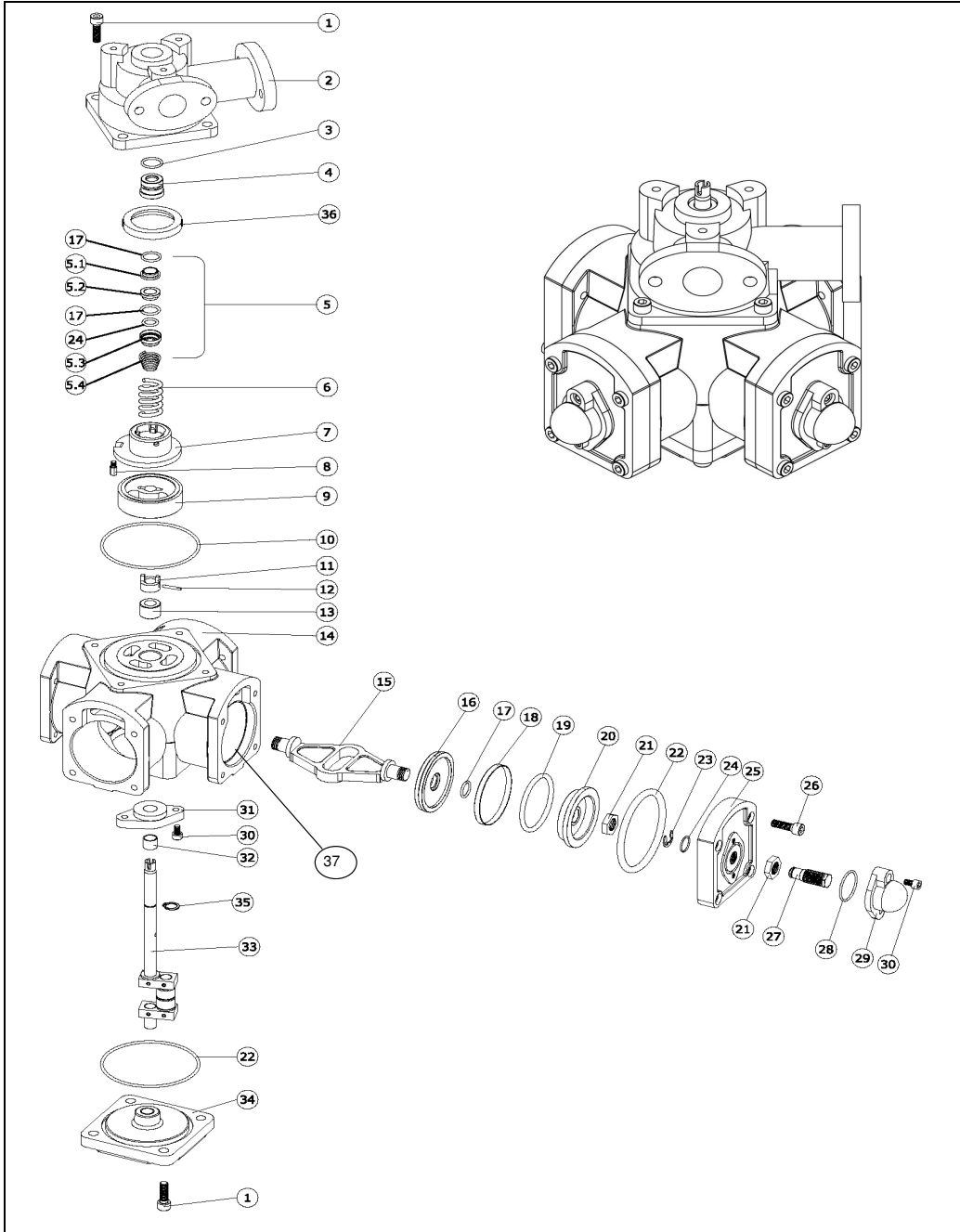


MT-100 Spare Parts Price List

Part Name : MT100
 Part Number :
 Application : LPG Component



No	Part Code	Tanımlama / Description		Qty in 1 meter	List Price
1	-	Alyan Basli Civata M8x20	Screw M8x20	8	
2	EP019-A01	Ust Kapak	Upper Cover	1	
3	-	O-Ring Ø11.9x2.62	O-Ring Ø11.9x2.62	1	
4	EP019-A02	Burc	Bushing	1	
5	EP019-A03	Mekanik Salmastra	Mechanical Seal	1	
5.1	EP019-A03a	Conta		1	
5.2	EP019-A03b	Oring Yatak		1	
5.3	EP019-A03c	Sac Govde		1	
5.4	EP019-A03d	Yay		1	
6	-	Yay	Spring	1	
7	EP019-A04	Valf Baski Slayti	Sliding Valve Presser	1	
8	-	Vida	Screw	1	
9	EP019-A05	Slayt Valf	Sliding Valve	1	
10	-	O-Ring Ø92x3,53	O-Ring Ø92x3,53	1	
11	EP019-A06	Anahtar	Key	1	
12	-	Pim Ø3x18	Pin Ø3x18	1	
13	EP019-A07	Burc	Bushing	1	
14	EP019-A08	Govde	Body	1	
15	EP019-A15	Piston Kolu	Connecting Rod	2	
16	EP019-A16	Piston	Piston	4	
17	-	O-Ring Ø15.1x2.62	O-Ring Ø15.1x2.62	6	
18	EP019-A17	Teflon halka	Teflon Ring	4	
19	-	O-Ring Ø56.5x5.35	O-Ring Ø56.5x5.35	4	
20	EP019-A18	Piston	Piston	4	
21	-	Somun M14x1	Nut M14x1	8	
22	-	O-Ring Ø85.32x3.53	O-Ring Ø85.32x3.53	5	
23	-	Segman Ø10	Safety Ring Ø10	4	
24	-	O-Ring Ø11.9x2.62	O-Ring Ø11.9x2.62	5	
25	EP019-A19	Yan Kapak	Side Cover	4	
26	-	Alyan Basli Civata M8x25	Screw M8x25	16	
27	EP019-A12	Ayar Vidasi	Adjusting Screw	4	
28	-	O-Ring Ø31.42x2.62	O-Ring Ø31.42x2.62	4	
29	EP019-A14	Ayar Vidasi Kapagi	Cover of Adjusting Screw	4	
30	-	Alyan Basli Civata M6x12	Screw M6x12	10	
31	EP019-A09	Flans	Flange	1	
32	EP019-A10	Burc	Bushing	1	
33	EP019-A11	Saft	Crank Shaft	1	
34	EP019-A13	Alt Kapak	Lower Cover	1	
35	-	Segman	Safety Ring	1	
36	-	Kece	Grommet	1	
37	-	Silindir Gomlek	Cylinder Liner	4	