



**Wayne Pignone**

**CATALOGO PARTI DI RICAMBIO**  
**SPARE PARTS CATALOGUE**  
**CATALOGUE DES PIÈCES DÉTACHÉES**

**DISTRIBUTORI**  
**DISPENSERS**  
**VOLUCOMPTEURS**

**DPX-A-LIGHT A-dBlue**  
**DPX-A-LIGHT A-dBlue**  
**DPX-A-LIGHT A-dBlue**





**Wayne Pignone**

Divisione Misuratori e Distributori

Stabilimento e assistenza tecnica  
TALAMONA (SO) - ITALY  
Via Roma, 32  
Tel. +39 (0342) 608111  
TELEFAX +39(0342) 608200

**CATALOGO PARTI DI RICAMBIO**  
SPARE PARTS CATALOGUE  
*CATALOGUE DES PIÈCES DETACHÉES*

**DISTRIBUTORE**  
DISPENSERS  
*VOLUCOMPTEUR*

**DPX-A-LIGHT A-dBlue**  
DPX-A-LIGHT A-dBlue  
*DPX-A-LIGHT A-dBlue*

**LA SOCIETÀ' DRESSER WAYNE PIGNONE SI RISERVA IL DIRITTO DI MODIFICARE IN QUALSIASI MOMENTO, SENZA PREAVVISO, LE CARATTERISTICHE DEI PRODOTTI QUI ILLUSTRATI.**

DRESSER WAYNE PIGNONE RESERVE THEMSELVES THE RIGHT OF CHANGING, AT ANY TIME AND WITHOUT FURTHER NOTICE, THE TECHNICAL PARTICULARS OF THE PARTS CONTAINED IN THIS CATALOGUE.

*DRESSER WAYNE PIGNONE SE RESERVE LE DROIT DE MODIFIER, EN TOUT MOMENT ET SANS PREAVIS, LES CARACTERISTIQUES DES PIÈCES ILLUSTRÉES DANS CE CATALOGUE.*

**LA MANCATA UTILIZZAZIONE, DA PARTE DEL COMMITTENTE, DELLE PARTI DI RICAMBIO ORIGINALI DRESSER WAYNE PIGNONE, SOLLEVA LA SOCIETÀ' STESSA DA QUALSIASI RESPONSABILITÀ' E INDENNIZZO IN MERITO.**

FAILURE BY THE PART OF THE CUSTOMER TO USE DRESSER WAYNE PIGNONE SPARE-PARTS, EXEMPT THE SOCIETY FROM ANY RESPONSABILITY FOR INDEMNITY ON CLAIMS.

*LA NON-UTILISATION, DE PART DE COMMETTANT, DES PIÈCES DE RECHANGE ORIGINALES DRESSER WAYNE PIGNONE, DECHARGE LA SOCIETE MEME DE TOUTE RESPONSABILITE ET INDEMNITE A TEL EGARD.*

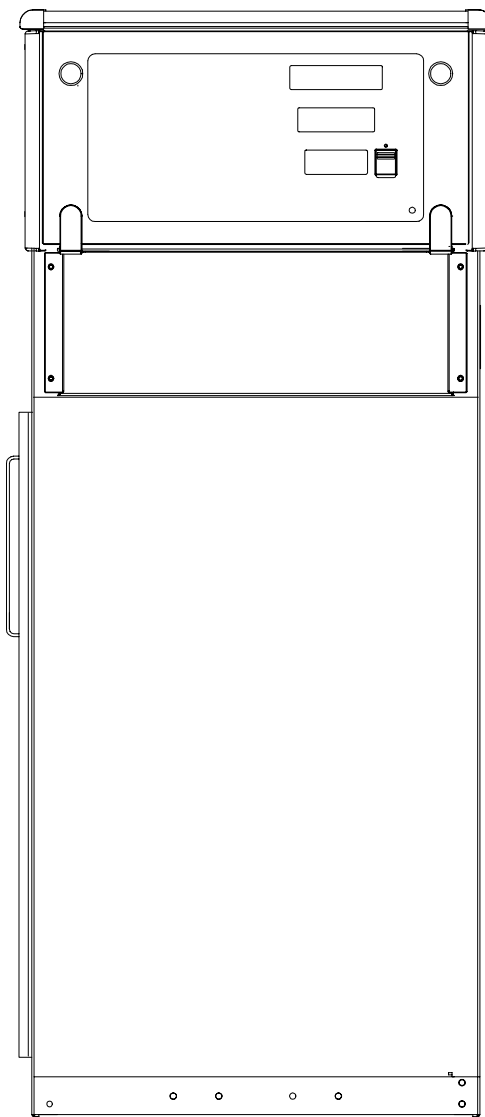
**L'ORDINAZIONE DEI PARTICOLARI DEVE NECESSARIAMENTE RICHIAMARE IL CODICE DRESSER WAYNE PIGNONE, INDICATO NEGLI ELENCHI PEZZI, E NON IL NUMERO DI POSIZIONE.**

THE ORDERS OF THE SPARES MUST INCLUDE THE DRESSER WAYNE PIGNONE CODE SHOWN IN THE PARTS LISTS, LEAVING OUT THE ITEM POSITION NUMBER IN THE ILLUSTRATING FIGURE.

*LES COMMANDES DE PIÈCES DETACHÉES DOIVENT NECESSAIREMENT METTRE EN EVIDENCE LE CODE DRESSER WAYNE PIGNONE, INDIQUE DANS LA LISTE, ET PAS LE NUMERO DE POSITION DANS LA FIGURE EXPLICATIVE.*



**INDICE / INDEX / INDEX**



**DPX-A-LIGHT A-dBlue**



## INDICE / INDEX / INDEX

<b>FASCIAME E TELAIO</b>	CASING AND FRAME	<i>HABILLAGE ET CHASSIS</i>	TOL 11664 TOL 11665
<b>VESTIZIONE E FRONTALI</b>	PANELING	<i>HABILLAGE</i>	TOL 11666 TOL 11667
<b>PORTELLA CON VETRO</b>	DOOR WITH GLASS	<i>VOLET AVEC VERRE</i>	TOL 11668 TOL 11669
<b>AVVOLGITORE E RULLIERE GUIDA</b>	HOSE RETRACTOR	<i>ENROULEUR</i>	TOL 11670 TOL 11671
<b>VETRO E BASE TASTIERA</b>	GLASS AND PUSH-BUTTON KEYPAD	<i>VERRE ET BASE AVEUGLE CLAVIER</i>	TOL 11672 TOL 11673
<b>TUBAZIONI E RACCORDERIE</b>	PIPES AND FITTINGS	<i>TUYAUX ET RACCORDS</i>	TOL 11674 TOL 11675
<b>MISURATORE - ELETTROVALVOLA</b>	VOLUME METER - SOLENOID VALVE	<i>MESUREUR VOLUMETRIQUE - ELECTROVANNE</i>	TOL 11676 TOL 11677
<b>FASCIAME A COMPLETAMENTO</b>	PANELING COMPLETING COMPONENTS	<i>ACHEVEMENT POUR HABILLAGE</i>	TOL 11678 TOL 11679
<b>PORTAPISTOLA</b>	NOZZLE HOLDER	<i>PORTE PISTOLET</i>	TOL 11680 TOL 11681
<b>SCHERMO TESTATA - CARTER DISPLAY</b>	COMPUTING-HEAD SCREEN - DISPLAY CASE	<i>ECRAN TETE DE COMPTAGE - CARTER DISPLAY</i>	TOL 11682 TOL 11683
<b>DISPLAY ASIC</b>	ASIC DISPLAY	<i>DSPLAY ASIC</i>	TOL 11684 TOL 11685
<b>TESTATA OTP-EM</b>	OTP-EM COMPUTING-HEAD	<i>TETE DE COMPTAGE OTP-EM</i>	TOL 11686 TOL 11687
<b>MONTAGGIO ACCESSORI ELETTRICI</b>	ELECTRICAL FITTINGS	<i>COMPOSANTS ELECTRIQUES</i>	TOL 11688 TOL 11689
<b>RISCALDATORE TESTATA</b>	COMPUTING-HEAD HEATER	<i>RECHAUFFEUR TETE DE COMPTAGE</i>	TOL 11690 TOL 11691
<b>TARGHE E PIOMBATURE</b>	SIGNS AND SEALS	<i>PLAQUES ET PLOMBAGES</i>	TOL 11692 TOL 11693
<b>COMPONENTI ELETTRICI</b>	ELECTRICAL COMPONENTS	<i>QUINCAILLERIES ELECTRIQUES</i>	TOL 11694

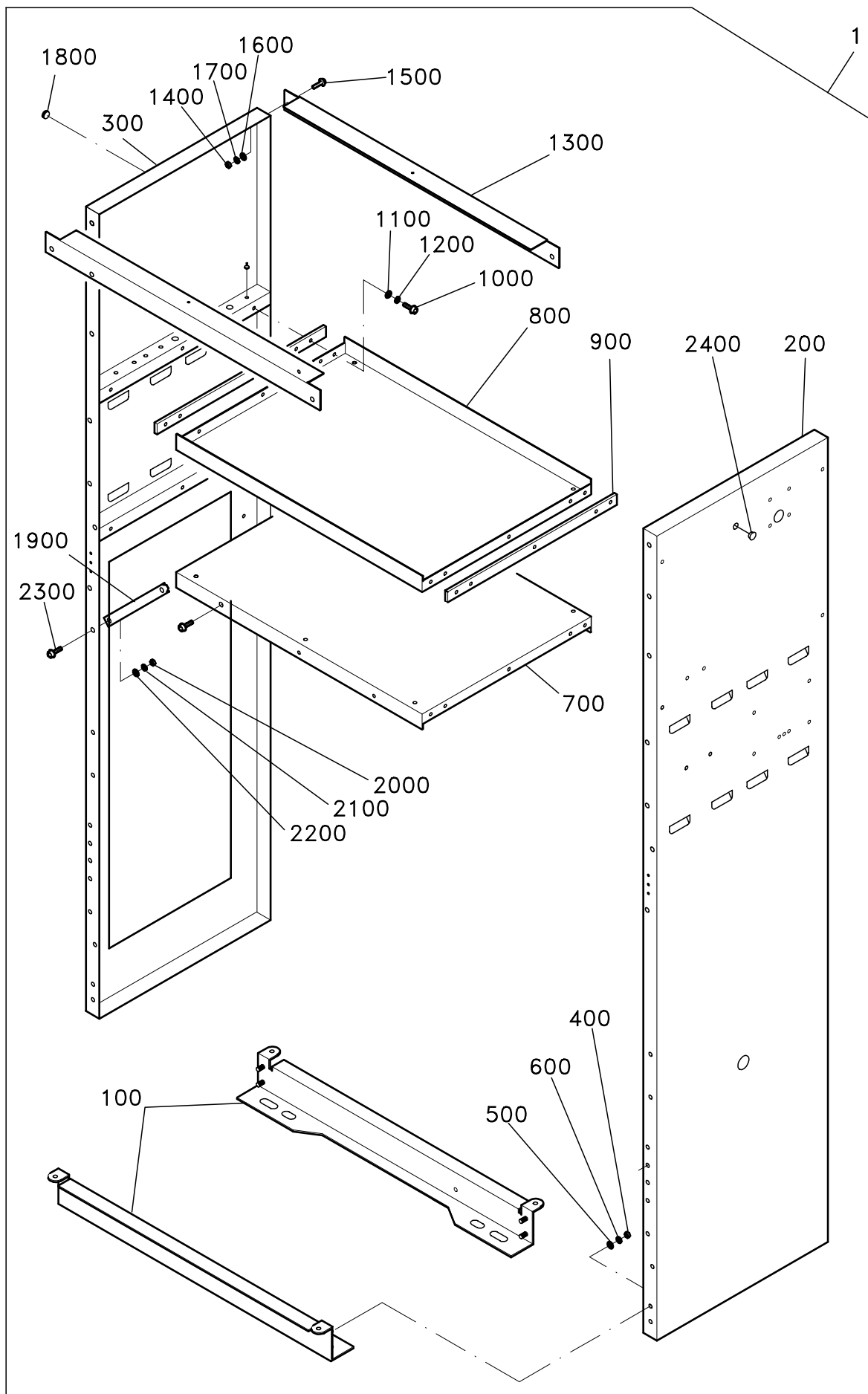


Wayne Pignone

**FASCIAME E TELAIO**  
 CASING AND FRAME  
 HABILLAGE ET CHASSIS
**TOL 11664**PAG.  
1/1ED.  
12/04REV.  
00

Pos.	Cod. No.	Descrizione	Description	Description	N.	Note
1	TLO1519366	FASCIAME *GRIGIO RAL9007* DPY-L AdBlue	CASING *GREY RAL9007* DPY-L AdBlue	HABILLAGE *GRIGIO RAL9007* DPY-L AdBlue	1	
.100	TLO65226	ASSIEME TRAVERSA BASE DYL *AdBlue*	CROSS PIECE, ASSY DYL *AdBlue*	ENS. TRAVERSE BATI DYL *AdBlue*	2	
.200	TLO65230	COLONNA CIECA DYL-LT *AdBlue*	BLIND COLUMN DYL-LT *AdBlue*	COLONNE AVEUGLE DYL-LT *AdBlue*	1	
.300	TLO65034	COLONNA LATO PORTAPISTOLA DYL-LT AdBlue	COLUMN, NOZZLE H. SIDE DYL-LT AdBlue	COLONNE COTE PORTEPIST. DYL-LT AdBlue	1	
.400	FFF140080050	DADO ISO4032 - M8 - 6	NUT ISO4032 - M8 - 6	ECROU ISO4032 - M8 - 6	8	
.500	FNC010840050	ROSETTA UNI6592 8.4 X 17 -R40P	WASHER UNI6592 8.4 X 17 -R40P	RONDELLE UNI6592 8.4 X 17 -R40P	8	
.600	FNP030840050	ROSETTA UNI1751 - A 8	WASHER UNI1751 - A 8	RONDELLE UNI1751 - A 8	8	
.700	TLO64875	PIANALE COPERTURA IDRAULICHE *GRIGIO*	HYDR. COMP. BASE COVER *GREY*	PLATEAU COUVERTURE HYDRAUL. *GRIS*	1	
.800	TLO63043	ASSIEME PIASTRA DI COLLEGAMENTO COLONNE	COLUMN CONNECTING PLATE, ASSY	ENS. PLAQUE CONNECTION COLONNES	1	
.900	TLZ63068	GUARNIZIONE PER BARRIERE DPXA LIGHT	GASKET FOR BARRIER DPXA LIGHT	JOINT POUR BARRIERE DPXA LIGHT	4	
.1000	HCN060120050	VITE UNI5931 M6 X 12 - 8.8	SCREW UNI5931 M6 X 12 - 8.8	VIS UNI5931 M6 X 12 - 8.8	12	
.1100	FNC010670050	ROSETTA UNI6592 6.4 X 12,5-R40P	WASHER UNI6592 6.4 X 12.5 - R40P	RONDELLE UNI6592 6.4 X 12,5 - R40P	12	
.1200	FNP030670050	ROSETTA UNI1751 - A 6	SAFETY WASHER UNI1751 - A 6	RONDELLE DE SECURITE UNI1751 - A 6	12	
.1300	TLP63085	TRAVERSA SUPERIORE FRANCIS	UPPER CROSSPIECE FRANCIS	TRAVERSE SUPERIEURE FRANCIS	2	
.1400	FFF140060050	DADO ISO4032 - M6 - 6	NUT ISO4032 - M6 - 6	ECROU ISO4032 - M6 - 6	8	
.1500	HCN060120050	VITE UNI5931 M6 X 12 - 8.8	SCREW UNI5931 M6 X 12 - 8.8	VIS UNI5931 M6 X 12 - 8.8	4	
.1600	FNC010670050	ROSETTA UNI6592 6.4 X 12,5-R40P	WASHER UNI6592 6.4 X 12.5 - R40P	RONDELLE UNI6592 6.4 X 12,5 - R40P	8	
.1700	FNP030670050	ROSETTA UNI1751 - A 6	SAFETY WASHER UNI1751 - A 6	RONDELLE DE SECURITE UNI1751 - A 6	8	
.1800	TLO26001	TAPPO PER FORO DIAM. 18	HOLE PLUG DIA 18	BOUCHON POUR TROU DIAM. 18	1	
.1900	TLO63313	ASSIEME RINFORZO PER COLONNA	COLUMN STIFFENING, ASSY	ENS. RENFORCEMENT COLONNE	2	
.2000	FFF140080050	DADO ISO4032 - M8 - 6	NUT ISO4032 - M8 - 6	ECROU ISO4032 - M8 - 6	2	
.2100	FNP030840050	ROSETTA UNI1751 - A 8	WASHER UNI1751 - A 8	RONDELLE UNI1751 - A 8	2	
.2200	FNC010840050	ROSETTA UNI6592 8.4 X 17 -R40P	WASHER UNI6592 8.4 X 17 -R40P	RONDELLE UNI6592 8.4 X 17 -R40P	2	
.2300	TLO26599	VITE T.C.E.I. M8x16 CON FLANGIA	CAPSCREW M8X16 WITH FLANGE	VIS T.C.H.E M8X16 AVEC BRIDE	2	
.2400	TLZ54142	TAPPO PER FORO Dia. 9	PLUG FOR DIA.9	BOUCHON POUR TROU DIAM.9	4	



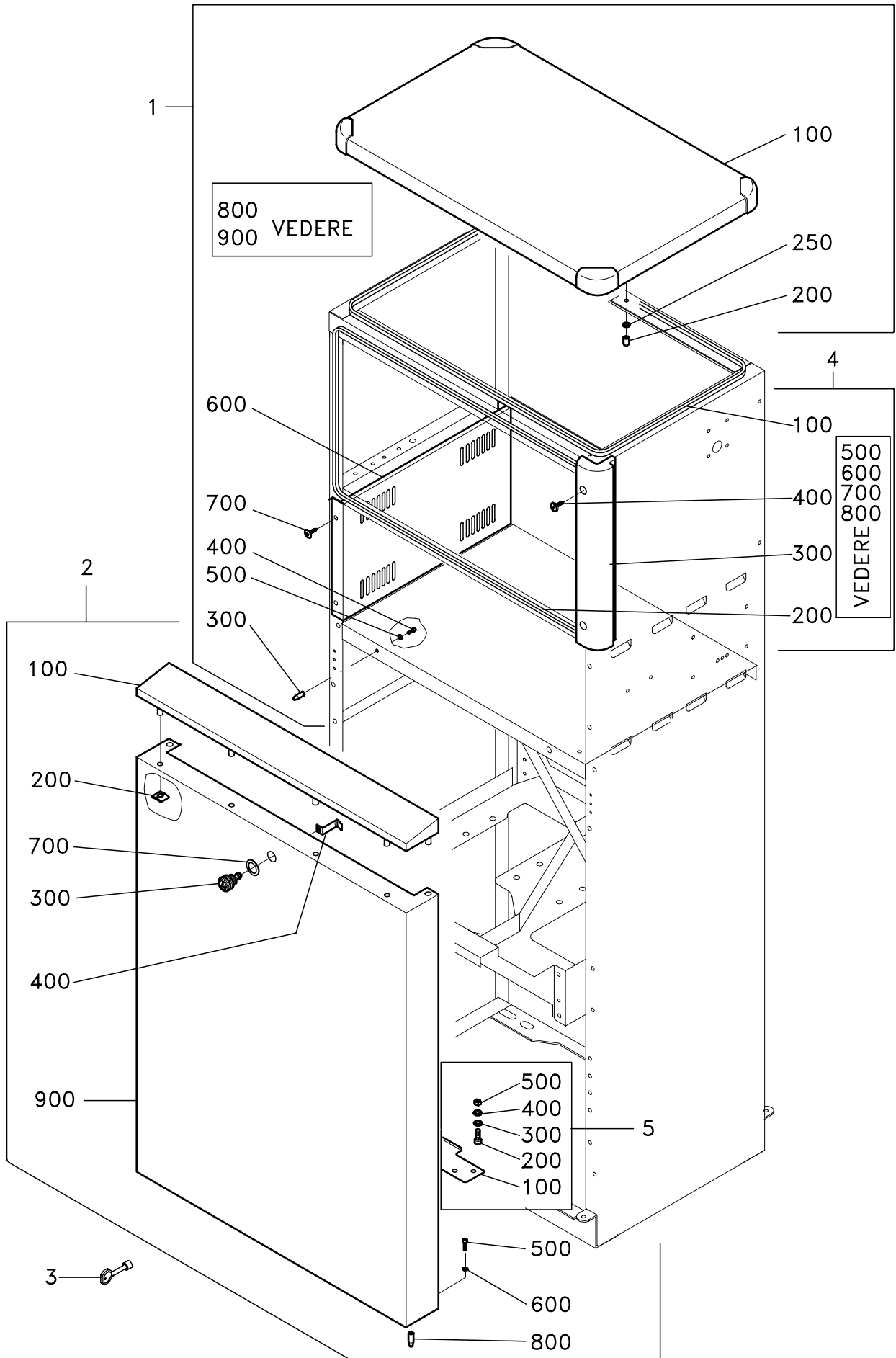




Wayne Pignone

**VESTIZIONE E FRONTALI**  
 PANELING  
 HABILLAGE
**TOL 11666**PAG.  
1/1ED.  
12/04REV.  
00

Pos.	Cod. No.	Descrizione	Description	Description	N.	Note
1	TLO1521532	VESTIZIONE COMUNE DPXA LT STD *RAL9007*	COMMON PANELING DPXA LT STD *RAL9007*	HABILLAGE COMMUNE DPXA LT STD *RAL9007*	1	
.100	TLO1517109	COMPLESSIVO CAPPELLO **GRIGIO RAL9007**	CAP. ASSY **GREY RAL9007**	ENS. CHAPEAU **GRIS RAL9007**	1	
.200	FFF140060050	DADO ISO4032 - M6 - 6	NUT ISO4032 - M6 - 6	ECROU ISO4032 - M6 - 6	2	
.250	FNC010670050	ROSETTA UNI6592 6.4 X 12,5-R40P	WASHER UNI6592 6.4 X 12.5 - R40P	RONDELLE UNI6592 6.4 X 12,5 - R40P	2	
.300	TLP63061	PERNO DI RIFERIMENTO FRONTALI	FRONT PANEL REFERENCE PIN	PIVOT DE REPERE PANNEAUX	4	
.400	GJE050120110	VITE M5X12 UNI5739-40 8.8 UNI3740	SCREW M5X12 UNI5739-40 8.8 UNI3740	VIS M5X12 UNI5739-40 8.8 UNI3740	4	
.500	FNP030530050	ROSETTA UNI1751 - A 5	WASHER A5, UNI 1751	RONDELLE UNI1751 - A5	4	
.600	TLO64876	SPORTELLA BARRIERA FRANCIS *GRIGIO*	BARRIER DOOR FRANCIS *GREY*	VOLET BARRIERE FRANCIS *GRIS*	2	
.700	GHD06016	VITE M6x16 UNI-ISO 7380	SCREW M6x16 UNI-ISO 7380	VIS M6x16 UNI-ISO 7380	8	
.800	FFF140060050	DADO ISO4032 - M6 - 6	NUT ISO4032 - M6 - 6	ECROU ISO4032 - M6 - 6	6	
.900	FNP030670050	ROSETTA UNI1751 - A 6	SAFETY WASHER UNI1751 - A 6	RONDELLE DE SECURITE UNI1751 - A 6	6	
2	TLO1517101	COMPLESSIVO FRONTALE FRANCIS **BIANCO**	FRONT PANEL, ASSY-FRANCIS **WHITE**	ENS. PANNEAU FRONTAL FRANCIS **BLANC**	2	
.100	TLZ63063	COPERTURA SUPERIORE PER FRONTALE	FRONT UPPER COVER	COVERTURE SUPERIEURE POUR FRONTAL	2	
.200	TLO49415	CLIP	CLIP	CLIP	12	
.300	TLO26588	SERRATURA A CHIAVE TRIANGOLARE	LOCK KEY, TRIANGULAR	FERMETURE A CLEF TRINGULAIRE	2	
.400	TLP63062	PALETTO PER SERRATURA FRONTALE	LEVER FOR FRONT PANEL LOCK SET	LEVIER SERRURE FRONTAL	2	
.500	HCN050120150	VITE UNI5931 M5 X 12 - 8.8	SCREW UNI5931 M5 X 12 - 8.8	VIS UNI5931 M5 X 12 - 8.8	4	
.600	FNC010530050	ROSETTA UNI6592 5.3 X 10 - R40P	WASHER UNI6592 5.3X10-R40P	RONDELLE UNI6592 5.3X10-R40P	4	
.700	TLZ63060	ROSETTA IN FIBRA	FIBER WASHER	RONDELLE EN FIBRE	4	
.800	TLP63061	PERNO DI RIFERIMENTO FRONTALI	FRONT PANEL REFERENCE PIN	PIVOT DE REPERE PANNEAUX	4	
.900	TLO63059	FRONTALE FRANCIS BIANCO	FRONT PANEL-FRANCIS WHITE	PANNEAU FRONTAL FRANCIS BLANC	2	
3	TLO22697	CHIAVE A TESTA TRIANGOLARE	KEY	CLEF	2	
4	TLO1517131	PARTI A COMPLET. CONTENITORE FRANCIS	COMP. -HEAD CASE COMPL. PARTS (FRANCIS)	COMP. D'ACHEV. CONT. TETES (FRANCIS)	1	
.100	TLO26582	GUARNIZIONE PER CRISTALLO DPXA	GASKET FOR GLASS DPXA	JOINT POUR VERRE DPXA	1	
.200	TLO26780	GUARNIZIONE PER VETRO DIBE FRANCIS	GLASS SEAL, DIBE FRANCIS	JOINT POUR VERRE DIBE FRANCIS	2	
.300	TLZ63081	PROTEZIONE VETRO FRANCIS	GLASS GUARD (FRANCIS)	PROTECTION VERRE FRANCIS	4	
.400	GHD06016	VITE M6x16 UNI-ISO 7380	SCREW M6x16 UNI-ISO 7380	VIS M6x16 UNI-ISO 7380	8	
.500	TLO26590	VITE AUTOFORMANTE TRILOBATA M5 x 10	THREE-LOBE SELF. TAP. SCREW M5 x 10	VIS AUTOTARAUDANTE TRILOBEE M5 x 10	4	
.600	TLV42798	DADO M4 (H 14) FORATO PER PIOMBATURA	NUT M4 (H 14) DRILLED FOR SEALING	ECROU M4(H 14) TROUE POUR PLOMBAGE	2	
.700	FFF140040050	DADO ISO4032 - M4 - 6	NUT ISO4032 - M4 - 6	ECROU ISO4032 - M4 - 6	2	
.800	FNC010430050	ROSETTA UNI6592 4,3 X 9 - R40P	WASHER 4.3 X 9 - R40, UNI 6592	RONDELLE UNI6592 4,3 X 9 - R40P	2	
5	TLO1526307	COMPLETAMENTO FRONTALE DYL AdBlue	FRONT COMPL. COMP. DYL AdBlue	COMP. D'ACHEVEMENT FRONTAL DYL AdBlue	1	
.100	TLP65219	LISTELLO INFERIORE FRONTALE DYL AdBlue	LOWER FRONT LIST DYL AdBlue	BAGUETTE INF. FRONTAL DYL AdBlue	2	
.200	HCN040120050	VITE UNI5931 M4 X 12 - 8.8	SCREW UNI5931 M4 X 12 - 8.8	VIS UNI5931 M4 X 12 - 8.8	8	
.300	FNC010430050	ROSETTA UNI6592 4,3 X 9 - R40P	WASHER 4.3 X 9 - R40, UNI 6592	RONDELLE UNI6592 4,3 X 9 - R40P	8	
.400	FNP030430050	ROSETTA UNI1751 - A 4	WASHER A4, UNI 1751	RONDELLE UNI1751 - A4	8	
.500	FFF140040050	DADO ISO4032 - M4 - 6	NUT ISO4032 - M4 - 6	ECROU ISO4032 - M4 - 6	8	

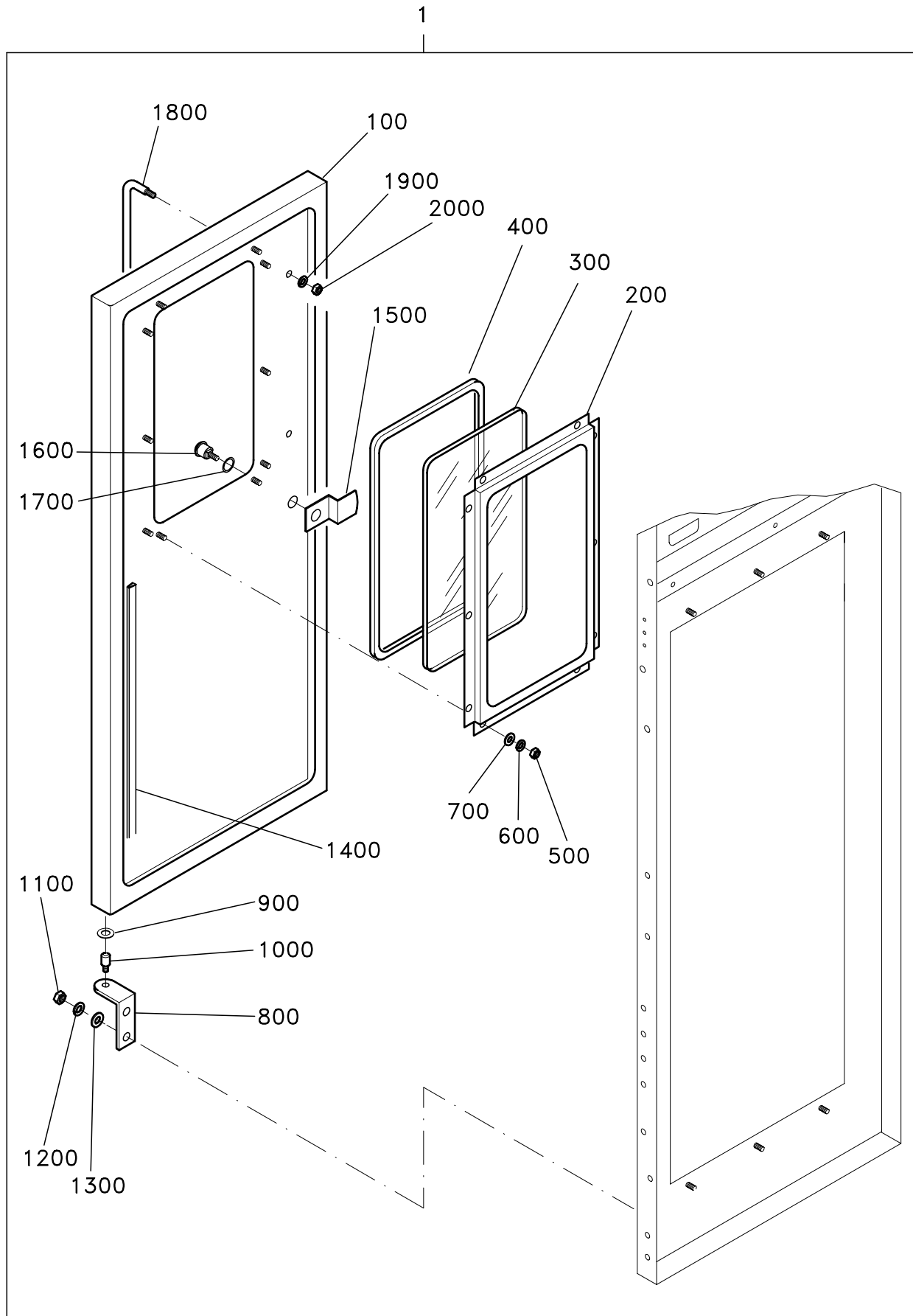




Wayne Pignone

**PORTELLA CON VETRO**  
 DOOR WITH GLASS  
 VOLET AVEC VERRE
**TOL 11668**PAG.  
1/1ED.  
12/04REV.  
00

Pos.	Cod. No.	Descrizione	Description	Description	N.	Note
1	TLO1519368	PORTELLA/SERRATURA E COMPL.DPY-L AdBlue	DOOR/LOCKSET AND COMPL. DPY-L AdBlue	VOLET/SERRURE ET ACHEV. DPY-L AdBlue	1	
.100	TLO65025	PORTELLA DPY-L GRIGIO RAL9007 *AdBlue*	DOOR DPY-L GREY RAL9007 *AdBlue*	VOLET DPY-L GREY RAL9007 *AdBlue*	1	
.200	TLP65010	TELAIO PREMIGUARNIZIONE	GASKET FRAME	CHASSIS PRESSE-JOINT	1	
.300	TLZ65011	VETRO	GLASS	VERRE	1	
.400	TLZ65012	GUARNIZIONE PER VETRO	GASKET FOR GLASS	JOINT POUR VERRE	1	
.500	FFF140040050	DADO ISO4032 - M4 - 6	NUT ISO4032 - M4 - 6	ECROU ISO4032 - M4 - 6	10	
.600	FNP030430050	ROSETTA UNI1751 - A 4	WASHER A4, UNI 1751	RONDELLE UNI1751 - A4	10	
.700	FNC010430050	ROSETTA UNI6592 4,3 X 9 - R40P	WASHER 4.3 X 9 - R40, UNI 6592	RONDELLE UNI6592 4,3 X 9 - R40P	10	
.800	TLO65036	SUPPORTO PORTELLA *GRIGIO RAL9007*	DOOR SUPPORT *GREY RAL9007*	SUPPORT VOLET *GRIS RAL9007*	2	
.900	TLZ63060	ROSETTA IN FIBRA	FIBER WAHSER	RONDELLE EN FIBRE	2	
.1000	TLP63061	PERNO DI RIFERIMENTO FRONTALI	FRONT PANEL REFERENCE PIN	PIVOT DE REPERE PANNEAUX	2	
.1100	FFF140050050	DADO ISO4032 - M5 - 6	NUT ISO4032 - M5 - 6	ECROU ISO4032 - M5 - 6	4	
.1200	FNP030530050	ROSETTA UNI1751 - A 5	WASHER A5, UNI 1751	RONDELLE UNI1751 - A5	4	
.1300	FNC010530050	ROSETTA UNI6592 5.3 X 10 - R40P	WASHER UNI6592 5.3X10-R40P	RONDELLE UNI6592 5.3X10-R40P	4	
.1400	TLZ65038	GUARNIZIONE PORTELLA DPX-A LT *AdBlue*	DOOR GASKET DPX-A LT *AdBlue*	JOINT VOLET DPX-A LT *AdBlue*	1	
.1500	TLP65031	PALETTO PORTELLA DPX-A LT *AdBlue*	DOOR PIN DPX-A LT *AdBlue*	PIVOT VOLET DPX-A LT *AdBlue*	1	
.1600	TLO26588	SERRATURA A CHIAVE TRIANGOLARE	LOCK KEY, TRIANGULAR	FERMETURE A CLEF TRINGULAIRE	1	
.1700	TLZ65039	GUARNIZIONE FRONTALE DPX-A LT *AdBlue*	FRONT PANEL GASKET DPX-A LT *AdBlue*	JOINT FRONTAL DPX-A LT *AdBlue*	2	
.1800	TLR58061	PROTEZIONE MANOMETRI	PRESSURE GAUGE PROTECTION	PROTECTION MANOMETRES	1	
.1900	FNC010670050	ROSETTA UNI6592 6.4 X 12,5-R40P	WASHER UNI6592 6.4 X 12.5 - R40P	RONDELLE UNI6592 6.4 X 12,5 - R40P	2	
.2000	FFF140060050	DADO ISO4032 - M6 - 6	NUT ISO4032 - M6 - 6	ECROU ISO4032 - M6 - 6	2	

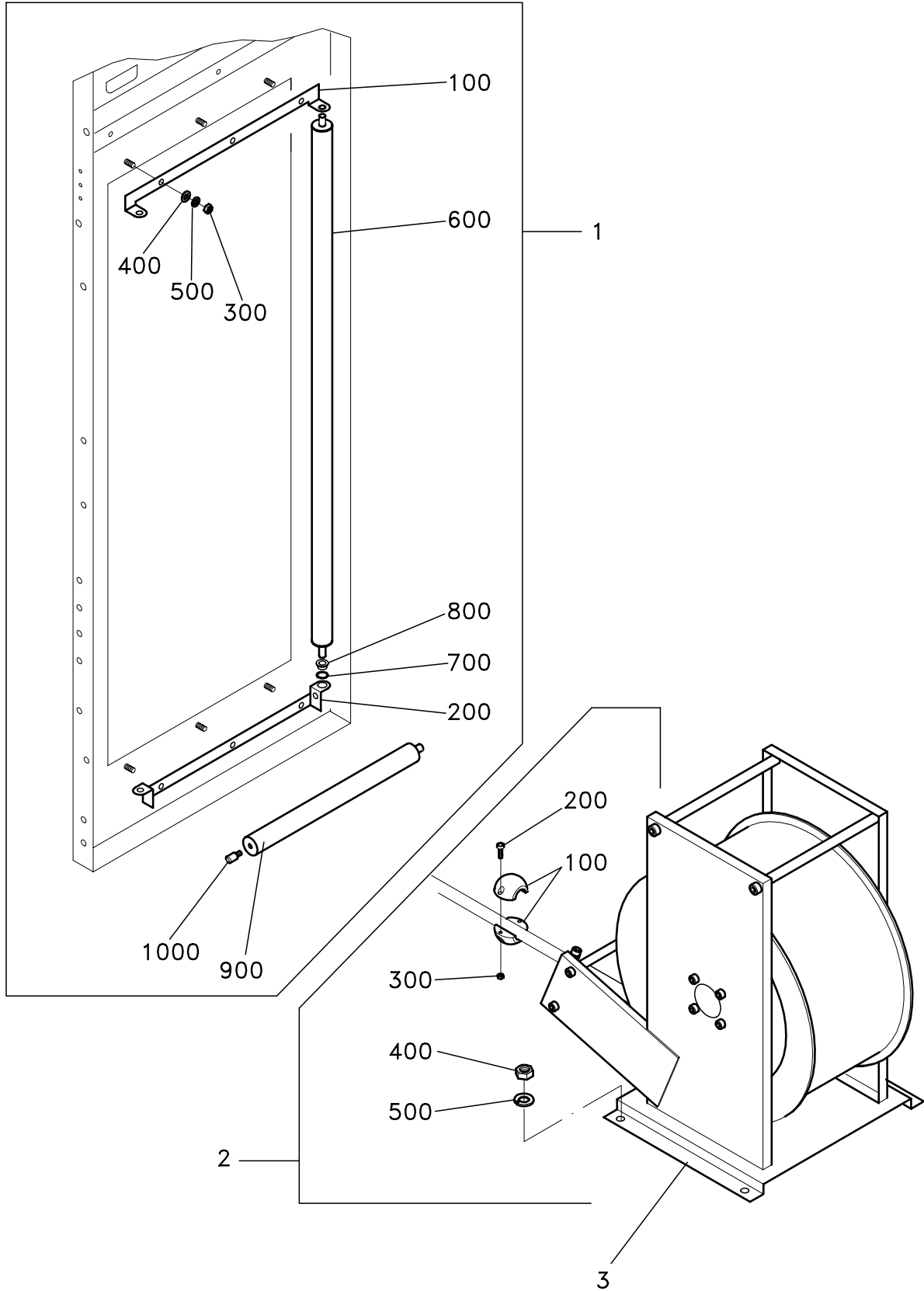




Wayne Pignone

**AVVOLGITORE E RULLIERE GUIDA**  
 HOSE RETRACTOR  
 ENROULEUR
**TOL 11670**PAG.  
1/1ED.  
12/04REV.  
00

Pos.	Cod. No.	Descrizione	Description	Description	N.	Note
1	TLO1519367	RULLIERE E GUIDE PER DPY-L *AdBlue*	ROLLS AND SLIDE FOR DPY-L *AdBlue*	ROLLIERS ET GUIDES POUR DPY-L *AdBlue*	1	
.100	TLR65013	GUIDA RULI SUPERIORE	UPPER ROLLERS SLIDE	GUIDE ROULEAUX SUPERIEURE	1	
.200	TLR65014	GUIDA RULLI INFERIORE	LOWER ROLLERS SLIDE	GUIDE ROULEAUX INFERIEURE	1	
.300	FFF140060050	DADO ISO4032 - M6 - 6	NUT ISO4032 - M6 - 6	ECROU ISO4032 - M6 - 6	6	
.400	FNP030670050	ROSETTA UNI1751 - A 6	SAFETY WASHER UNI1751 - A 6	RONDELLE DE SECURITE UNI1751 - A 6	6	
.500	FNC010670050	ROSETTA UNI6592 6.4 X 12,5-R40P	WASHER UNI6592 6.4 X 12.5 - R40P	RONDELLE UNI6592 6.4 X 12,5 - R40P	6	
.600	TLO50891	ASSIEME RULLO CENTRALE TUBO FLESSIBILE	CENTRAL ROLLER ASS.Y FOR HOSE	ENSEMBLE ROULEAU CENTRAL TUYAU FLEXIBLE	2	
.700	FLA015009010	ROSETTA 9 DIN 988 C75 UNI3545	WASHER 9 DIN 988 C75 UNI3545	RONDELLE 9 DIN 988 C75 UNI3545	2	
.800	TLV40429	BOCCOLA	BUSHING	DOUILLE	2	
2	TLO1428415	PARTI A COMPL. AVVOLG. MONOVIA (fless.26)	ONE WAY REC.HOSE COMPL.PARTS(HOSE DIA26)	COMPOS.D'ACHEV.ENROU LEUR 1 VOIE(FLEX.26)	1	
100	TLZ52226	SEMITAMPONE PER TUBO FLESSIBILE DIA.26	HALF-BUMPER FOR HOSE DIA.26	SEMI-TAMPON POUR TUYAU FLEXIBLE DIA.26	2	
.200	HCN050180050	VITE M5X18 UNI5931 8.8 UNI3740	SCREW M5X18 UNI5931 8.8 UNI3740	VIS M5X18 UNI5931 8.8 UNI3740	2	
.300	FFF140050050	DADO ISO4032 - M5 - 6	NUT ISO4032 - M5 - 6	ECROU ISO4032 - M5 - 6	2	
.400	FFF140100050	DADO ISO4032 - M10 - 6	NUT ISO4032 - M10 - 6	ECROU ISO4032 - M10 - 6	2	
.500	FNP031050050	ROSETTA UNI1751 - A10	WASHER UNI1751 - A10	RONDELLE UNI1751 - A10	2	
3	TLO29094	AVVOLGITORE AUTOMATICO A MOLLA M-M 1"	AUTOM. HOSE RETR. WITH SPRING M-M 1"	ENROULEUR AUTOMAT. RESSORT M-M 1"	1	



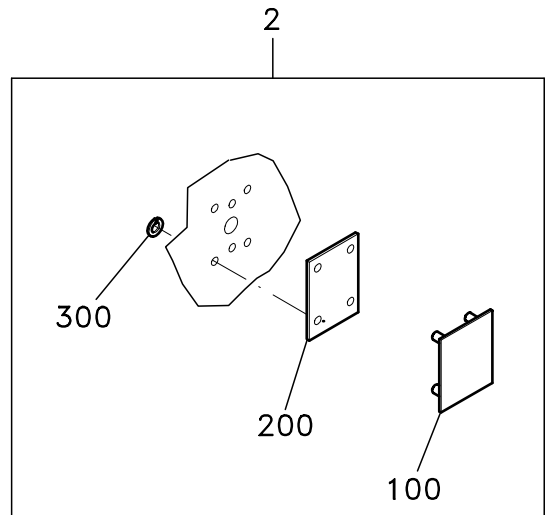
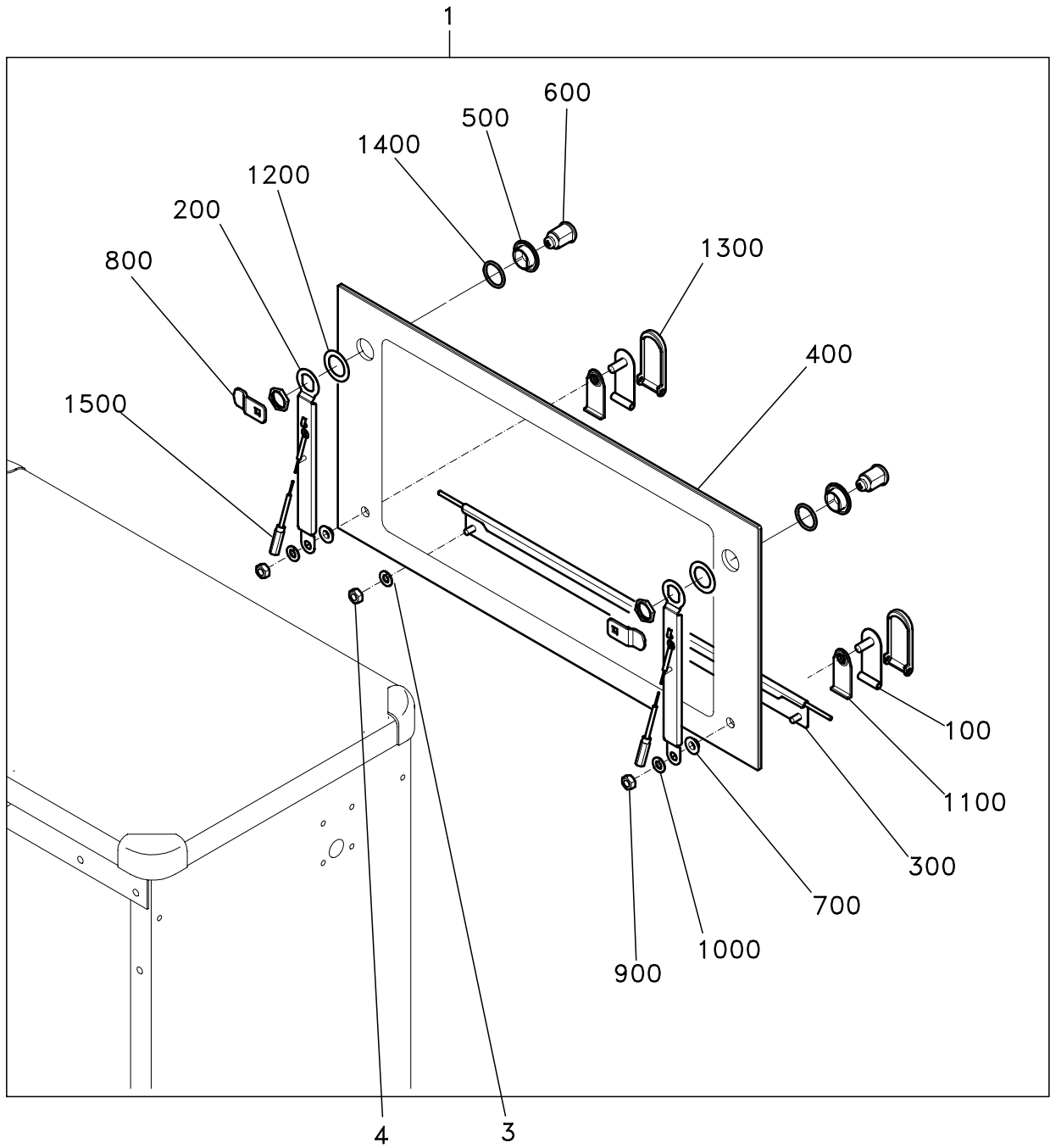


Wayne Pignone

**VETRO E BASE TASTIERA**  
 GLASS AND PUSH-BUTTON KEYPAD  
 VERRE ET BASE AVEUGLE CLAVIER
**TOL 11672**PAG.  
1/1ED.  
12/04REV.  
00

Pos.	Cod. No.	Descrizione	Description	Description	N.	Note
1	TLO1517150	COMPLESSIVO VETRO DIBE FRANCIS	GLASS, ASSY (DIBE FRANCIS)	ENS. VERRE (DIBE FRANCIS)	2	
.100	TLO63095	ASSIEME CERNIERA PER VETRO	GLASS HINGE, ASSY	ENS. CHARNIERE POUR VERRE	4	
.200	TLO63093	ASSIEME SUPPORTO SCHERMO DISPLAY	DISPLAY SCREEN SUPPORT, ASSY	ENS. SUPPORT ECRAN DISPLAY	4	
.300	TLO63098	ASSIEME CERNIERA FISSA	FIXED HINGE, ASSY	ENS. CHARNIERE FIXE	2	
.400	TLZ63069	VETRO PER CONTENITORE TESTATE FRANCIS	GLASS FOR COMP.-HEAD CASE FRANCIS	VERRE POUR CONTENEUR TETES FRANCIS	2	
.500	TLZ57016	GHIERA PER SERRATURA VETRO DPXA	RINGNUT, GLASS LOCK DPXA	FRETTE POUR SERRURE VERRE DPXA	4	
.600	TLO26584	SERRATURA A CHIAVE PER DYX	LOCK	FERMETURE	4	
.700	TLZ51556	BOCCOLA PER VITE ANTIVANDALISMO	BUSH	DOUILLE	4	
.800	TLP57046	PALETTO SERRATURA VETRO DPX-A	POLE GLASS LOCK DPX-A	PIVOT SERRURE VERRE DPX-A	4	
.900	FFF140080050	DADO ISO4032 - M8 - 6	NUT ISO4032 - M8 - 6	ECROU ISO4032 - M8 - 6	4	
.1000	FNP030840050	ROSETTA UNI1751 - A 8	WASHER UNI1751 - A 8	RONDELLE UNI1751 - A 8	4	
.1100	TLZ63083	BASE DI APOGGIO CERNIERA	HINGE BASE	BASE DE SUPPORT CHARNIERE	4	
.1200	TLZ63094	ROSETTA IN FIBRA PER SERRATURA	FIBER WASHER FOR LOCKSET	RONDELLE EN FIBRE POUR SERRURE	4	
.1300	TLZ63082	PROTEZIONE PER CERNIERA	HINGE GUARD	PROTECTION CHARNIERE	4	
.1400	KHA023802600	GUARNIZIONE TORICA D.I. 23,81X2,62	RING SEAL I.D.23.81X2.62	JOINT TOROIDAL D.I. 23.81X2.62	4	
.1500	TLO63322	CORDINO FERMAVETRO	GLASS STOP STRING	CORDEAU FERME VERRE	4	
2	TLO1397520	ASS. BASE CIECA X TASTIERA A 12 TASTI	12 PUSH-BUTT.KEYPAD BLIND BASE ASSY	ENS.BASE AVEUGLE CLAVIER A 12 POUSSOIRS	1	
.100	TLZ51333	BASE PER TASTIERA CIECA	BASE FOR BLIND KEYBOARD	BASE POUR CLAVIER AVEUGLE	1	
.200	TLZ51336	GUARNIZIONE PER BASE TASTIERA	GASKET,KEYBOARD	JOINT POUR CLAVIER	1	
.300	TLO51335	CLIP DIA. 4	CLIP DIA. 4	CLIP DIA. 4	4	



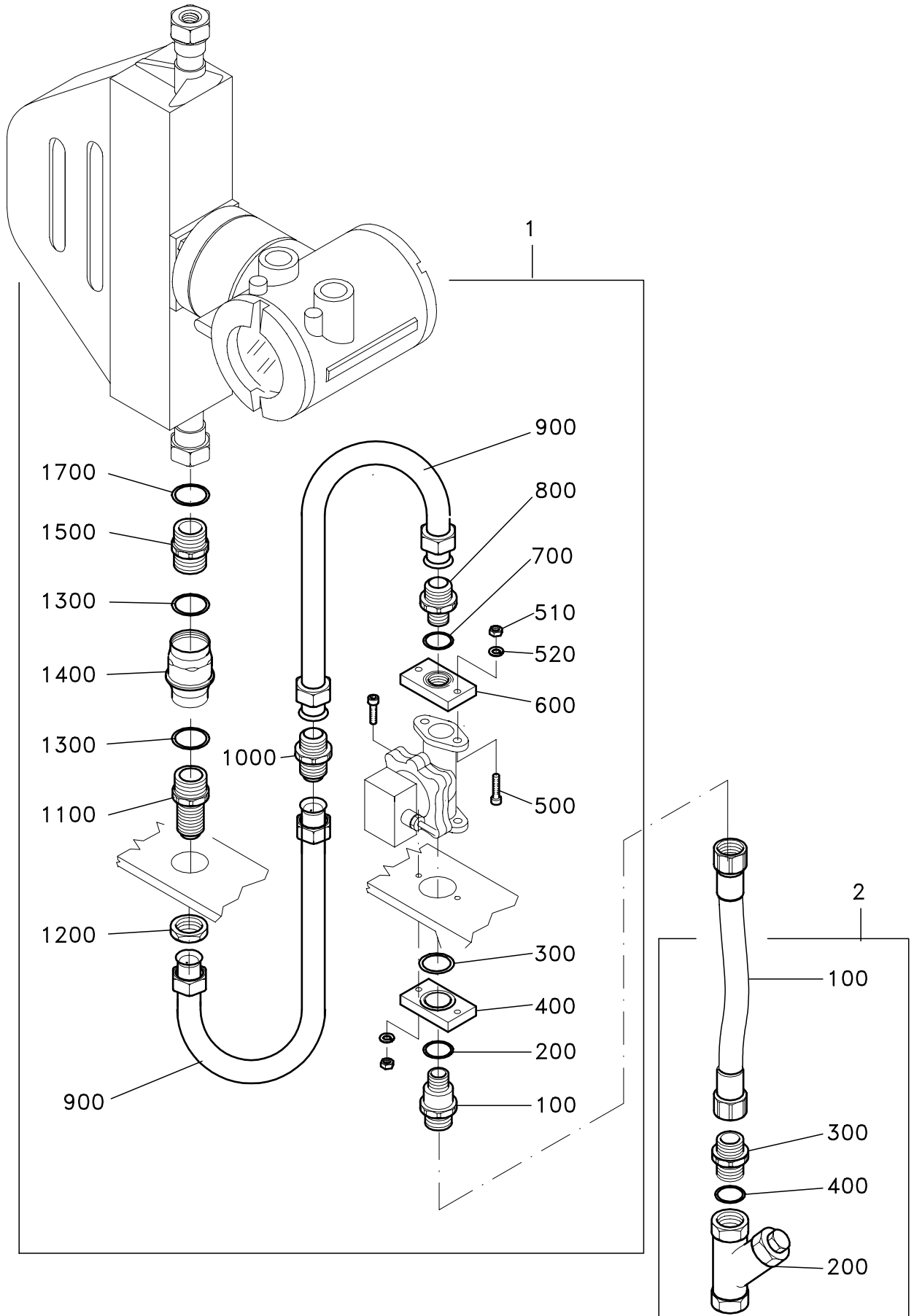




Wayne Pignone

**TUBAZIONI E RACCORDERIE**  
 PIPES AND FITTINGS  
 TUYAUX ET RACCORDS
**TOL 11674**PAG.  
1/2ED.  
12/04REV.  
00

Pos.	Cod. No.	Descrizione	Description	Description	N.	Note
1	TLO1515520	IDRAULICA DYL *UREA* CON MISURATORE CNG	HYDR.COMP.DYL *UREA* WITH VOL.METER CNG	COMP. HYDR. DYL *UREA* AVEC MESUR. CNG	1	
.100	TLR65212	RACCORDO M-M 1"-1/2" GAS	UNION M-M 1"-1/2" GAS	RACCORD M-M 1"-1/2" GAZ	1	
.200	KHA022002601	GUARNIZIONE TORICA D.I. 22 x 2.62	OR GASKET I.D. 22 X 2.62	JOINT TOROIDAL D.I. 22 X 2.62	1	
.300	KHA031402601	GUARNIZIONE TORICA D.I. 31.42X2.62	O-RING I.D. 31.42X2.62	JOINT TORIQUE D.I. 31.42X2.62	1	
.400	TLR65207	BASSETTA 1/2" GAS PER ATTACCO TUBAZIONE	1/2" GAS BASE FOR PIPE CONNECTION	BASE 1/2" GAZ POUR RACCORD TUYAU	1	
.500	HCN100400050	VITE UNI5931 M10 X 40 - 8.8	SCREW UNI5931 M10 X 40 - 8.8	VIS UNI5931 M10 X 40 - 8.8	4	
.510	FFF140100050	DADO ISO4032 - M10 - 6	NUT ISO4032 - M10 - 6	ECROU ISO4032 - M10 - 6	4	
.520	FNP031050050	ROSETTA UNI1751 - A10	WASHER UNI1751 - A10	RONDELLE UNI1751 - A10	4	
.600	TLR65206	BASSETTA 1/2" GAS PER ELETTROVALVOLA	1/2" GAS BASE FOR SOLENOID VALVE	BASE 1/2" GAZ POUR ELECTROVANNE	1	
.700	KHA022002601	GUARNIZIONE TORICA D.I. 22 x 2.62	OR GASKET I.D. 22 X 2.62	JOINT TOROIDAL D.I. 22 X 2.62	1	
.800	TLR65208	RACCORDO 1/2" - 1 1/16-12 UNF-2A	1/2" UNION - 1 1/16-12 UNF-2A	RACCORD 1/2" - 1 1/16-12 UNF-2A	1	
.900	TLO60959	ASSIEME TUBO 3/4 ATT.RE-MISURATORE	PIPE ASSY, 3/4 ACTUATOR-VOL.METER	ENS. TUYAU 3/4 ACTUATEUR-MESUREUR	2	
.1000	TLR65209	RACCORDO DIRITTO DN 3/4" L=74	UNION DN 3/4" L=74	RACCORD DN 3/4" L=74	1	
.1100	TLR65210	RACCORDO M-M 1" GAS - 1 1/16"-12 UNF-2A	UNION M-M 1" GAS - 1 1/16"-12 UNF-2A	RACCORD M-M 1" GAZ - 1 1/16"-12 UNF-2A	1	
.1200	TLO28117	CONTRODADO PER PASSAPARETE TL DN 3/4"	COUNTERNUT FOR FAIRLEAD TL DN 3/4"	CONTRE ECROU POUR PASSE ETANCHE DN 3/4"	2	
.1300	TLZ36703	GUARNIZIONE	GASKET	JOINT	2	
.1400	TLO29097	VALVOLA DI NON RITORNO 1" AISI 316	SAFETY VALVE 1" AISI 316	SOUPAPE DE RETENUE 1" AISI 316	1	
.1500	TLR65211	RACCORDO M-M 1" GAS - 1 1/4"-18 UNF-2A	UNION M-M 1" GAS - 1 1/4"-18 UNF-2A	RACCORD M-M 1" GAZ - 1 1/4"-18 UNF-2A	1	
.1600	TLR59470	RACCORDO PASS.TE OUT CNG050 DN3/4	OUT PASSING UNION, OUT CNG050 DN3/4	RACCORD PASSANT OUT CNG050 DN3/4	1	
.1700	KHA017902601	GUARNIZIONE TORICA D.I. 17,9X2,6	O-RING I.D. 17,9X2,6	JOINT TORIQUE D.I. 17,9X2,6	2	
.1800	TLO65205	ASS.TUBO 3/4" MIS. CNG - AVVOLGITORE	PIPE ASSY 3/4" VOL. MET. - HOSE RETR.	TUYAU 3/4" MES. CNG - ENROULEUR	1	
.1900	TLR65214	RACCORDO M-F 1 1/16" 12 UNF 2A-1" GAS	UNION M-F 1 1/16" 12 UNF 2A-1" GAS	RACCORD M-F 1 1/16" 12 UNF 2A-1" GAZ	1	
.2000	TLZ46007	GUARNIZIONE PIANA G 1 DIA.33X24x2	FLAT GASKET G 1 DIA.33X24x2	JOINT PLAT G 1 DIA.33X24x2	1	
2	TLO1515519	CONNESS. IDRAUL. DYL UREA (da allegare)	HYDR. UNIONS DYL UREA (to annex)	CONNECT. HYDR. DYL UREA (à allier)	1	
.100	TLO29096	FLESSIBILE ELAFLEX PER UREA LPG16 L=300	HOSE ELAFLEX FOR UREA LPG16 L=300	FLEXIBLE ELAFLEX POUR UREA LPG16 L=300	1	
.200	TLO29099	FILTRO A "Y" 1" GAS	FILTER "Y" 1" GAS	FILTRE "Y" 1" GAZ	1	
.300	TLR65215	RACCORDO M-M 1" GAS	UNION M-M 1" GAS	RACCORD M-M 1" GAZ	1	
.400	TLZ36703	GUARNIZIONE	GASKET	JOINT	1	
3	TLO28823	FLESSIBILE ELAFLEX PER AdBlue LPG16	HOSE ELAFLEX AdBlue LPG16	FLEXIBLE ELAFLEX AdBlue LPG16	1	
4	TLO29211	GIUNTO GIREVOLE M-F 1" ELAFLEX	SWIVEL JOINT M-F 1" ELAFLEX	JOINT PIVOTANT M-F 1" ELAFLEX	1	
5	TLZ36703	GUARNIZIONE	GASKET	JOINT	1	
6	TLO28822	PISTOLA ZVA 1.0 R ADBLUE 1" GAS MASCHIO	NOZZLE ZVA 1.0 R ADBLUE 1" GAS MALE	PISTOLET ZVA 1.0 R ADBLUE 1" GAZ MALE	1	

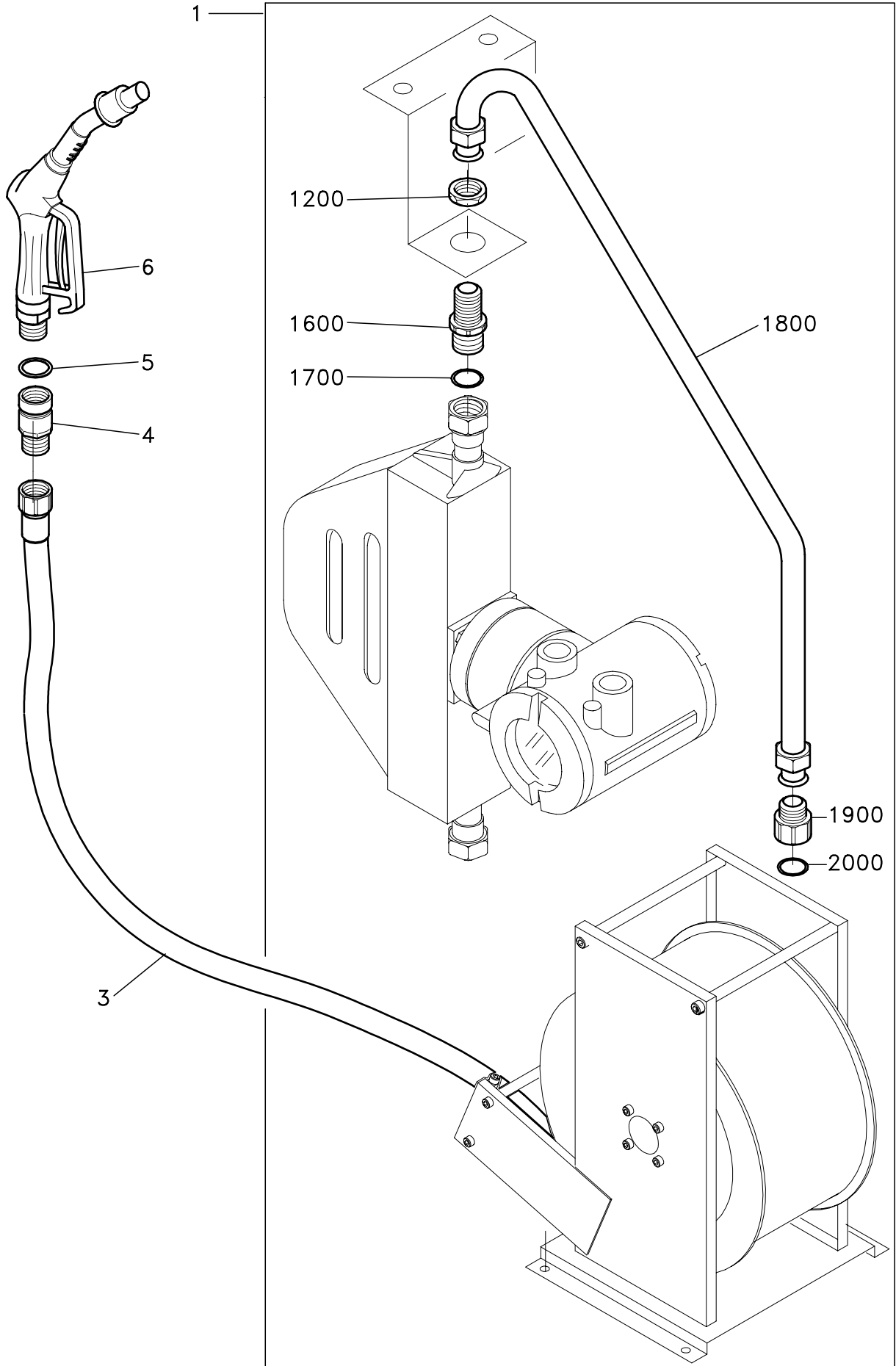




Wayne Pignone

**TUBAZIONI E RACCORDERIE**  
 PIPES AND FITTINGS  
 TUYAUX ET RACCORDS
**TOL 11674**PAG.  
2/2ED.  
12/04REV.  
00

Pos.	Cod. No.	Descrizione	Description	Description	N.	Note
1	TLO1515520	IDRAULICA DYL *UREA* CON MISURATORE CNG	HYDR.COMP.DYL *UREA* WITH VOL.METER CNG	COMP. HYDR. DYL *UREA* AVEC MESUR. CNG	1	
.100	TLR65212	RACCORDO M-M 1"-1/2" GAS	UNION M-M 1"-1/2" GAS	RACCORD M-M 1"-1/2" GAZ	1	
.200	KHA022002601	GUARNIZIONE TORICA D.I. 22 x 2.62	OR GASKET I.D. 22 X 2.62	JOINT TOROIDAL D.I. 22 X 2.62	1	
.300	KHA031402601	GUARNIZIONE TORICA D.I. 31.42X2.62	O-RING I.D. 31.42X2.62	JOINT TORIQUE D.I. 31.42X2.62	1	
.400	TLR65207	BASSETTA 1/2" GAS PER ATTACCO TUBAZIONE	1/2" GAS BASE FOR PIPE CONNECTION	BASE 1/2" GAZ POUR RACCORD TUYAU	1	
.500	HCN100400050	VITE UNI5931 M10 X 40 - 8.8	SCREW UNI5931 M10 X 40 - 8.8	VIS UNI5931 M10 X 40 - 8.8	4	
.510	FFF140100050	DADO ISO4032 - M10 - 6	NUT ISO4032 - M10 - 6	ECROU ISO4032 - M10 - 6	4	
.520	FNP031050050	ROSETTA UNI1751 - A10	WASHER UNI1751 - A10	RONDELLE UNI1751 - A10	4	
.600	TLR65206	BASSETTA 1/2" GAS PER ELETTROVALVOLA	1/2" GAS BASE FOR SOLENOID VALVE	BASE 1/2" GAZ POUR ELECTROVANNE	1	
.700	KHA022002601	GUARNIZIONE TORICA D.I. 22 x 2.62	OR GASKET I.D. 22 X 2.62	JOINT TOROIDAL D.I. 22 X 2.62	1	
.800	TLR65208	RACCORDO 1/2" - 1 1/16-12 UNF-2A	1/2" UNION - 1 1/16-12 UNF-2A	RACCORD 1/2" - 1 1/16-12 UNF-2A	1	
.900	TLO60959	ASSIEME TUBO 3/4 ATT.RE-MISURATORE	PIPE ASSY, 3/4 ACTUATOR-VOL.METER	ENS. TUYAU 3/4 ACTUATEUR-MESUREUR	2	
.1000	TLR65209	RACCORDO DIRITTO DN 3/4" L=74	UNION DN 3/4" L=74	RACCORD DN 3/4" L=74	1	
.1100	TLR65210	RACCORDO M-M 1" GAS - 1 1/16"-12 UNF-2A	UNION M-M 1" GAS - 1 1/16"-12 UNF-2A	RACCORD M-M 1" GAZ - 1 1/16"-12 UNF-2A	1	
.1200	TLO28117	CONTRODADO PER PASSAPARETE TL DN 3/4"	COUNTERNUT FOR FAIRLEAD TL DN 3/4"	CONTRE ECROU POUR PASSE ETANCHE DN 3/4"	2	
.1300	TLZ36703	GUARNIZIONE	GASKET	JOINT	2	
.1400	TLO29097	VALVOLA DI NON RITORNO 1" AISI 316	SAFETY VALVE 1" AISI 316	SOUPAPE DE RETENUE 1" AISI 316	1	
.1500	TLR65211	RACCORDO M-M 1" GAS - 1 1/4"-18 UNF-2A	UNION M-M 1" GAS - 1 1/4"-18 UNF-2A	RACCORD M-M 1" GAZ - 1 1/4"-18 UNF-2A	1	
.1600	TLR59470	RACCORDO PASS.TE OUT CNG050 DN3/4	OUT PASSING UNION, OUT CNG050 DN3/4	RACCORD PASSANT OUT CNG050 DN3/4	1	
.1700	KHA017902601	GUARNIZIONE TORICA D.I. 17,9X2,6	O-RING I.D. 17,9X2,6	JOINT TORIQUE D.I. 17,9X2,6	2	
.1800	TLO65205	ASS.TUBO 3/4" MIS. CNG - AVVOLGITORE	PIPE ASSY 3/4" VOL. MET. - HOSE RETR.	TUYAU 3/4" MES. CNG - ENROULEUR	1	
.1900	TLR65214	RACCORDO M-F 1 1/16" 12 UNF 2A-1" GAS	UNION M-F 1 1/16" 12 UNF 2A-1" GAS	RACCORD M-F 1 1/16" 12 UNF 2A-1" GAZ	1	
.2000	TLZ46007	GUARNIZIONE PIANA G 1 DIA.33X24x2	FLAT GASKET G 1 DIA.33X24x2	JOINT PLAT G 1 DIA.33X24x2	1	
2	TLO1515519	CONNESS. IDRAUL. DYL UREA (da allegare)	HYDR. UNIONS DYL UREA (to annex)	CONNECT. HYDR. DYL UREA (à allier)	1	
.100	TLO29096	FLESSIBILE ELAFLEX PER UREA LPG16 L=300	HOSE ELAFLEX FOR UREA LPG16 L=300	FLEXIBLE ELAFLEX POUR UREA LPG16 L=300	1	
.200	TLO29099	FILTRO A "Y" 1" GAS	FILTER "Y" 1" GAS	FILTRE "Y" 1" GAZ	1	
.300	TLR65215	RACCORDO M-M 1" GAS	UNION M-M 1" GAS	RACCORD M-M 1" GAZ	1	
.400	TLZ36703	GUARNIZIONE	GASKET	JOINT	1	
3	TLO28823	FLESSIBILE ELAFLEX PER AdBlue LPG16	HOSE ELAFLEX AdBlue LPG16	FLEXIBLE ELAFLEX AdBlue LPG16	1	
4	TLO29211	GIUNTO GIREVOLE M-F 1" ELAFLEX	SWIVEL JOINT M-F 1" ELAFLEX	JOINT PIVOTANT M-F 1" ELAFLEX	1	
5	TLZ36703	GUARNIZIONE	GASKET	JOINT	1	
6	TLO28822	PISTOLA ZVA 1.0 R ADBLUE 1" GAS MASCHIO	NOZZLE ZVA 1.0 R ADBLUE 1" GAS MALE	PISTOLET ZVA 1.0 R ADBLUE 1" GAZ MALE	1	





Wayne Pignone

MISURATORE - ELETTROVALVOLA  
VOLUME METER - SOLENOID VALVE  
MESUREUR VOLUMETRIQUE - ELECTROVANNE

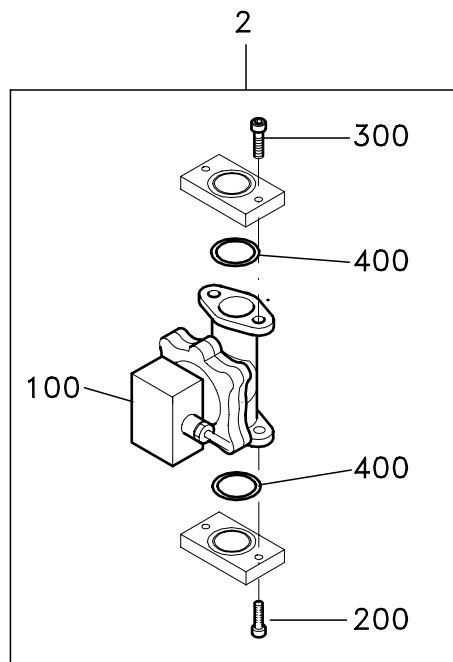
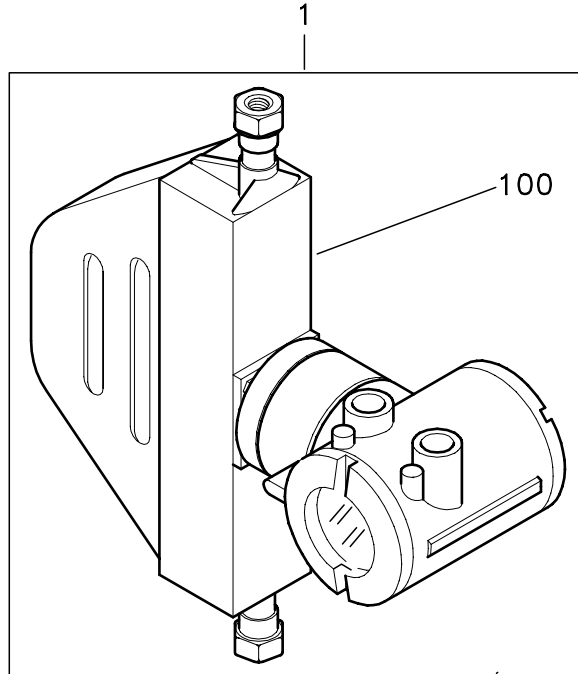
TOL 11676

PAG.  
1/1

ED.  
12/04

REV.  
00

Pos.	Cod. No.	Descrizione	Description	Description	N.	Note
1	TLO1521591	ASS. MISURATORE CNG050 CON ELETTRONICA	VOL.METER, ASSY CNG050 WITH ELECTRONIC	ENS. MESUREUR CNG050 AVEC GERMANY	1	
.100	TLO28718	MISURATORE DI MASSA MICROMOTION CNG050	MASS METER MICROMOTION CNG050	MESUREUR DE MASSE CNG050	1	
2	TLO1393769	PART. CONN. E.V. *ASCO* SING. *UREA*	CONV. COMP. SOL.V. *ASCO* SING. *UREA*	COMP. CONNEX. E.V. *ASCO* SING. *UREA*	1	
.100	TLO28869	ELETTROVALVOLA ASCO AdBLue 1" FLANGIATA	SOLENOID VALVE ASCO AdBLue 1" FLANGED	ELECTROVANNE ASCO AdBLue 1" BRIDEE	1	
.200	HCN100200050	VITE UNI5931 M10 X 20 - 8.8	SCREW UNI5931 M10 X 20 - 8.8	VIS UNI5931 M10 X 20 - 8.8	2	
.300	TLP45778	VITE UNI5931 M10 X 20 - 8.8 -TESTA FOR.	SCREW UNI5931 M10X20-8.8-DRILLED HEAD	VIS UNI5931 M10X20 - 8.8 - TETE PERCEE	2	
.400	KHA031303518	GUARNIZIONE TORICA D.I. 31,3X3,5	OR GASKET I.D. 31,3X3,5	JOINT TOROIDAL D.I. 31,3X3,5	2	



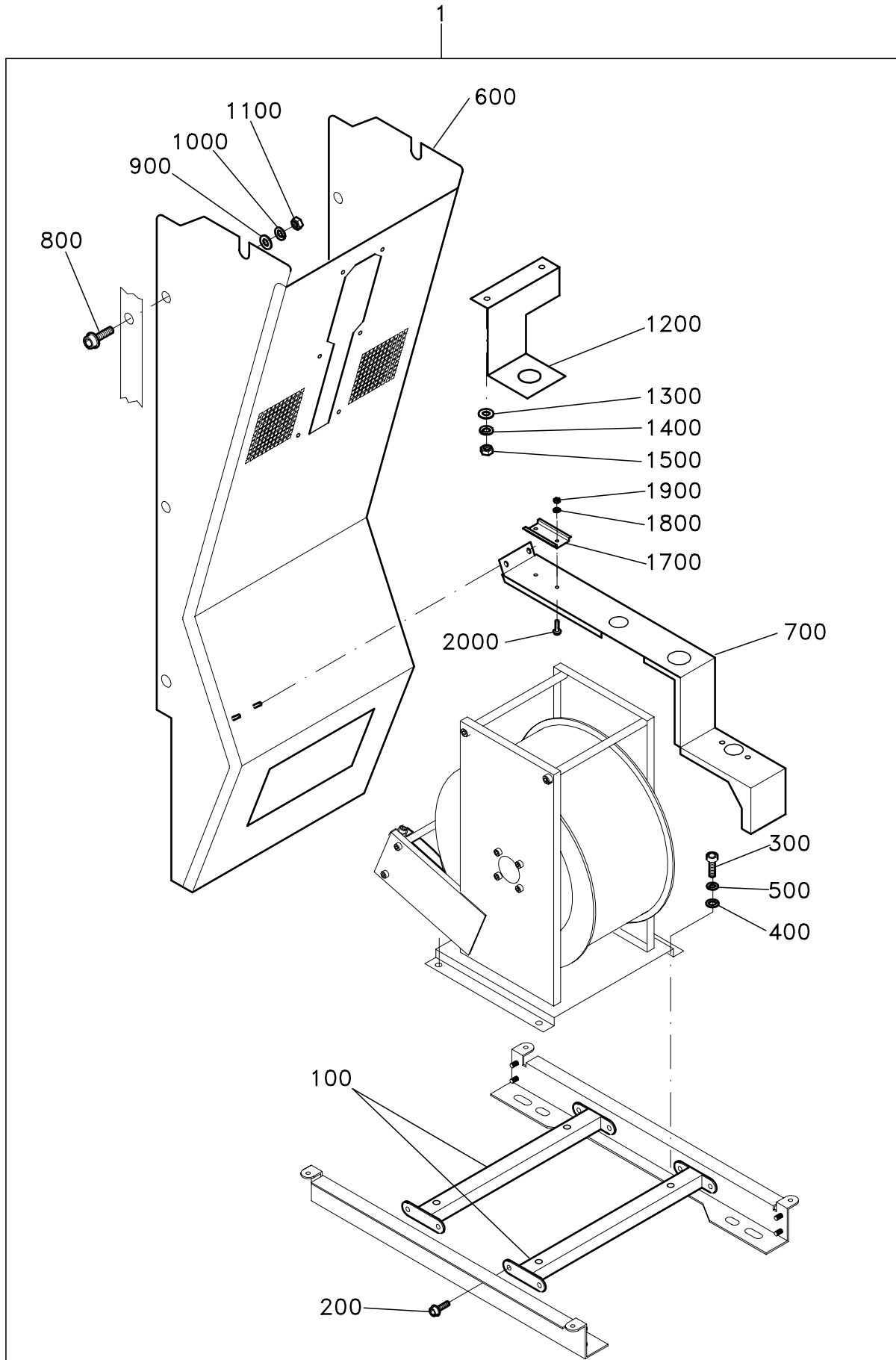


Wayne Pignone

**FASCIAME A COMPLETAMENTO**  
 PANELING COMPLETING COMPONENTS  
 ACHEVEMENT POUR HABILLAGE
**TOL 11678**PAG.  
1/1ED.  
12/04REV.  
00

Pos.	Cod. No.	Descrizione	Description	Description	N.	Note
1	TLO1515518	FASCIAME A COMPL. DYL AdBlue(AVV. INOX)	CASING-COMPLETING DYL AdBlue(AVV. INOX)	HABILL. D'ACHEV. DYL AdBlue (AVV. INOX)	1	
.100	TLO65227	ASS. TRAVERSA SUPP. AVVOLG. DPX-A AdBlue	HOSER.SUPP.CROSSPIECE ASSY-DPX-A AdBlue	ENS. TRAVERSE SUPP. ENR. DPX-A AdBlue	2	
.200	TLO26599	VITE T.C.E.I. M8x16 CON FLANGIA	CAPSCREW M8X16 WITH FLANGE	VIS T.C.H.E M8X16 AVEC BRIDE	8	
.300	HCN100200050	VITE UNI5931 M10 X 20 - 8.8	SCREW UNI5931 M10 X 20 - 8.8	VIS UNI5931 M10 X 20 - 8.8	4	
.400	FNC011050050	ROSETTA UNI6592 10.5 X 21 -R40P	WASHER UNI6592 10.5 X 21 -R40P	RONDELLE UNI6592 10.5 X 21 -R40P	4	
.500	FNP031050050	ROSETTA UNI1751 - A10	WASHER UNI1751 - A10	RONDELLE UNI1751 - A10	4	
.600	TLO65213	SUPPORTO PORTAPISTOLA *GRIGIO RAL 9007*	NOZZLE, HOLDER SUPP. *GRIGIO RAL 9007*	SUPPORT PORTEPISTOLET *GRIGIO RAL 9007*	1	
.700	TLO65203	ASSIEME SUPPORTO IDRAULICA DYL AdBlue	HYDRAULIC FRAME, ASSY DYL AdBlue	ENS. SUPPORT HYDRAULIQUE DYL AdBlue	1	
.800	TLO26599	VITE T.C.E.I. M8x16 CON FLANGIA	CAPSCREW M8X16 WITH FLANGE	VIS T.C.H.E M8X16 AVEC BRIDE	10	
.900	FNC010840050	ROSETTA UNI6592 8.4 X 17 -R40P	WASHER UNI6592 8.4 X 17 -R40P	RONDELLE UNI6592 8.4 X 17 -R40P	12	
.1000	FNP030840050	ROSETTA UNI1751 - A 8	WASHER UNI1751 - A 8	RONDELLE UNI1751 - A 8	12	
.1100	FFF140080050	DADO ISO4032 - M8 - 6	NUT ISO4032 - M8 - 6	ECROU ISO4032 - M8 - 6	12	
.1200	TLP65204	PIASTRA SUPERIORE SUPPORTO MIS. CNG	VOL. METER UPPER SUPPORT PLATE - CNG	PLAQUE SUPERIEURE SUPP. MESUREUR CNG	1	
.1300	FNC010670050	ROSETTA UNI6592 6.4 X 12,5-R40P	WASHER UNI6592 6.4 X 12.5 - R40P	RONDELLE UNI6592 6.4 X 12,5 - R40P	2	
.1400	FNP030670050	ROSETTA UNI1751 - A 6	SAFETY WASHER UNI1751 - A 6	RONDELLE DE SECURITE UNI1751 - A 6	2	
.1500	FFF140060050	DADO ISO4032 - M6 - 6	NUT ISO4032 - M6 - 6	ECROU ISO4032 - M6 - 6	2	
.1600	TLP65224	GUIDA SUPPORTO ACCESSORI	FITTING SUPPORT SLIDE	GUIDE SUPPORT ACCESSOIRES	1	
.1610	TLZ54142	TAPPO PER FORO Dia. 9	PLUG FOR DIA.9	BOUCHON POUR TROU DIAM.9	12	
.1700	TLO58713	GUIDA AD OMEGA L=70mm	OMEGA SLIDE AD OMEGA L=70mm	GUIDE A OMEGA AD OMEGA L=70mm	1	
.1800	FNC010430050	ROSETTA UNI6592 4,3 X 9 - R40P	WASHER 4.3 X 9 - R40, UNI 6592	RONDELLE UNI6592 4,3 X 9 - R40P	2	
.1900	FFF140040050	DADO ISO4032 - M4 - 6	NUT ISO4032 - M4 - 6	ECROU ISO4032 - M4 - 6	2	
.2000	TLO26599	VITE T.C.E.I. M8x16 CON FLANGIA	CAPSCREW M8X16 WITH FLANGE	VIS T.C.H.E M8X16 AVEC BRIDE	8	







Wayne Pignone

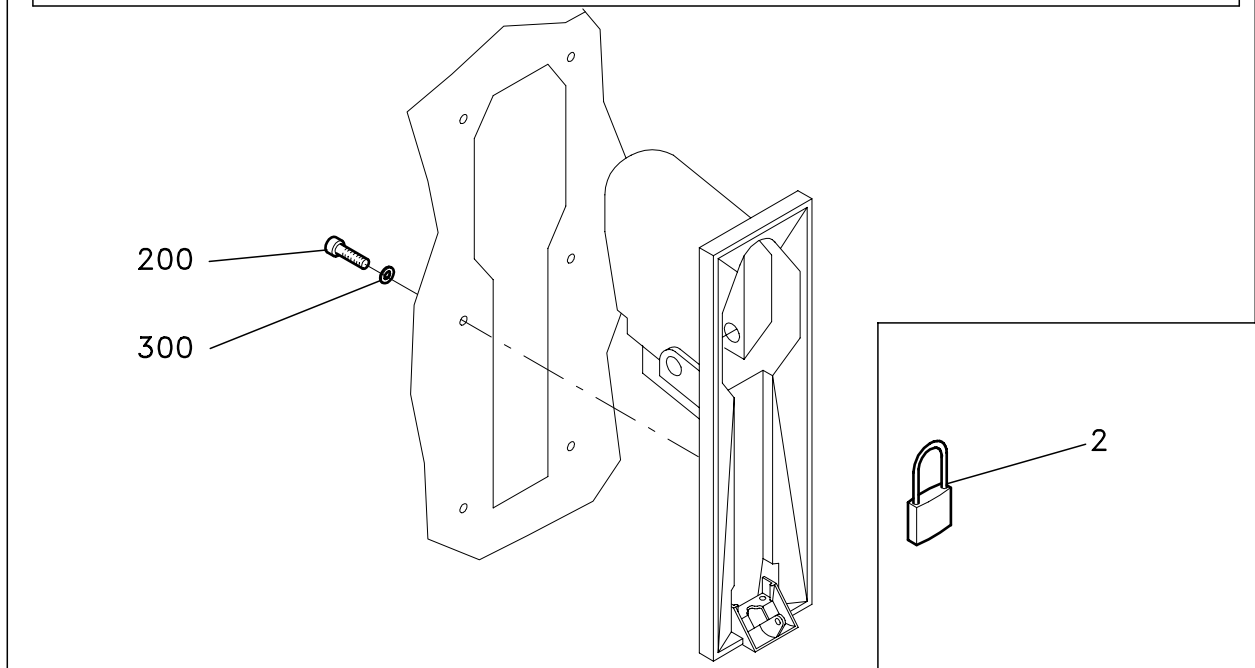
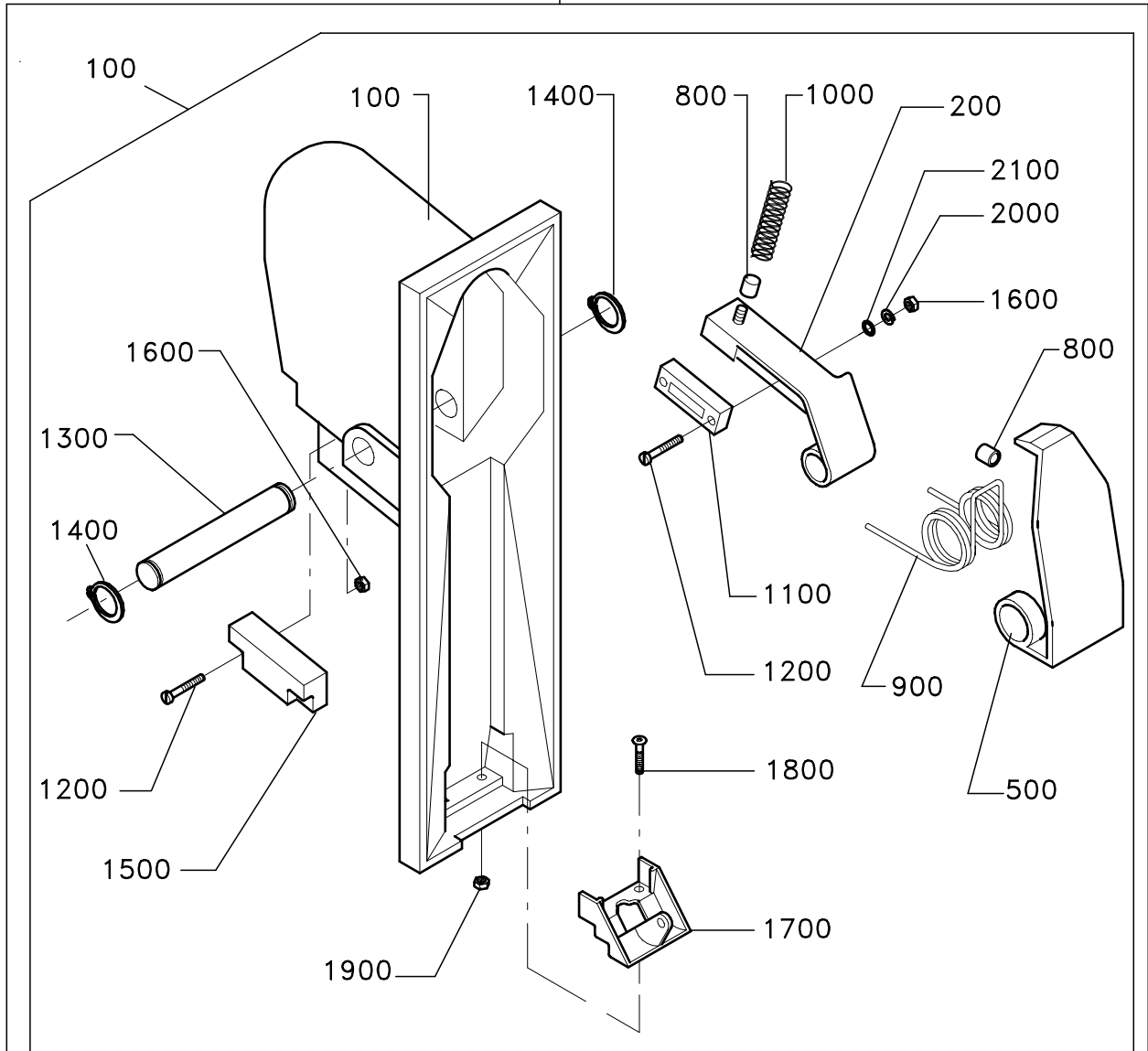
PORTAPISTOLA  
NOZZLE HOLDER  
PORTE PISTOLET

TOL 11680

PAG.  
1/1ED.  
12/04REV.  
00

Pos.	Cod. No.	Descrizione	Description	Description	N.	Note
1	TLO1517130	PORTAPISTOLA COMPLETO PER DIBE FRANCIS	DEL. NOZZLE ASSY (DIBE FRANCIS)	ENS. PORTEPISTOLET (DIBE FRANCIS)	1	
.100	TLO1367951	ASSIEME PORTAPISTOLA	DELIVERY NOZZLE HOLDER ASSY	ENSEMBLE PORTE PISTOLET	1	
.100	TLS49422	PORTAPISTOLA DPX-F-X	DEL. NOZZLE HOLDER DPX-F-X	PORTE-PISTOLET DPX-F-X	1	
.200	TLO49141	ASSIEME LEVA PER UNITA MAGNETICA	LEVER ASSY FOR MAGNETIC UNIT	ENSEMBLE LEVIER POUR UNITE MAGNETIQUE	1	
.500	TLO49425	ASSIEME LEVA AZZERAMENTO	RESET LEVER ASSY	ENSEMBLE LEVIER ZEROTAGE	1	
.800	TLZ49143	BOCCOLA PER MOLLA	BUSH FOR SPRING	DOUILLE POUR RESSORT	2	
.900	TLR42914	MOLLA PER AZZERAMENTO	RESET SPRING	RESSORT POUR ZEROTAGE	1	
.1000	TLP48505	MOLLA COMPENSATRICE	BALANCING SPRING	RESSORT DE COMPENSATION	1	
.1100	TLO51840	ASSIEME MAGNETE PER MICROINT. MZ94	MICRO-SWITCH MZ94 MAGNET ASSY	UNITE MAGNETIQUE POUR MICROINT. MZ94	1	
.1200	HAL03016	VITE M3X16 UNI6107 PCUXN40 UNI4891	SCREW M3X16 UNI6107 PCUXN40 UNI4891	VIS M3X16 UNI6107 PCUXN40 UNI4891	4	
.1300	TLR42952	ALBERO PER MOLLA	SHAFT FOR SPRING	ARBRE POUR RESSORT	1	
.1400	KKA00007	ANELLO DI SICUREZZA DN 7 UNI7435	SAFETY RING DN 7 UNI7435	ANNEAU DE SECURITE DN 7 UNI7435	2	
.1500	TLO1391700	INTERRUPTORE MAGNETICO MZ94	MAGNETIC SWITCH MZ94	INTERRUPTEUR MAGNETIQUE MZ94	1	
.1600	FFF75003	DADO M3 UNI5587-88-89 OTTONE	NUT M3 UNI5587-88-89 BRASS	ECROU M3 UNI5587-88-89 LAITON	4	
.1700	TLS49419	GANCIO PER PISTOLA *FINITO*	HOOK FOR DEL. NOZZLE *FINISHED*	CROCHET POUR PISTOLET *FINI*	1	
.1800	HLF06016	VITE M6X16 UNI5933 X12CR13	SCREW M6X16 UNI5933 X12CR13	VIS M6X16 UNI5933 X12CR13	2	
.1900	FFE31006	DADO M6 UNI5587-88-89 X30CR13 UNI6900	NUT M6 UNI5587-88-89 X30CR13 UNI6900	ECROU M6 UNI5587-88-89 X30CR13 UNI6900	2	
.2000	FNC010320050	ROSETTA UNI6592 3,2 X 7 - R40P	WASHER UNI6592 3,2 X 7 - R40P	RONDELLE UNI6592 3,2 X 7 - R40P	2	
.2100	FNP030320050	ROSETTA UNI1751 - A 3	WASHER UNI1751-A 3	RONDELLE UNI1751-A 3	2	
.200	HCN050080110	VITE M5X8 UNI5931 8.8 UNI3740	SCREW M5X8 UNI5931 8.8 UNI3740	VIS M5X8 UNI5931 8.8 UNI3740	6	
.300	FNP030530050	ROSETTA UNI1751 - A 5	WASHER A5, UNI 1751	RONDELLE UNI1751 - A5	6	
2	TLO34686	LUCCHETTO CON CHIAVE	LOCK WITH KEY	CADENAS AVEC CLEF	1	

1



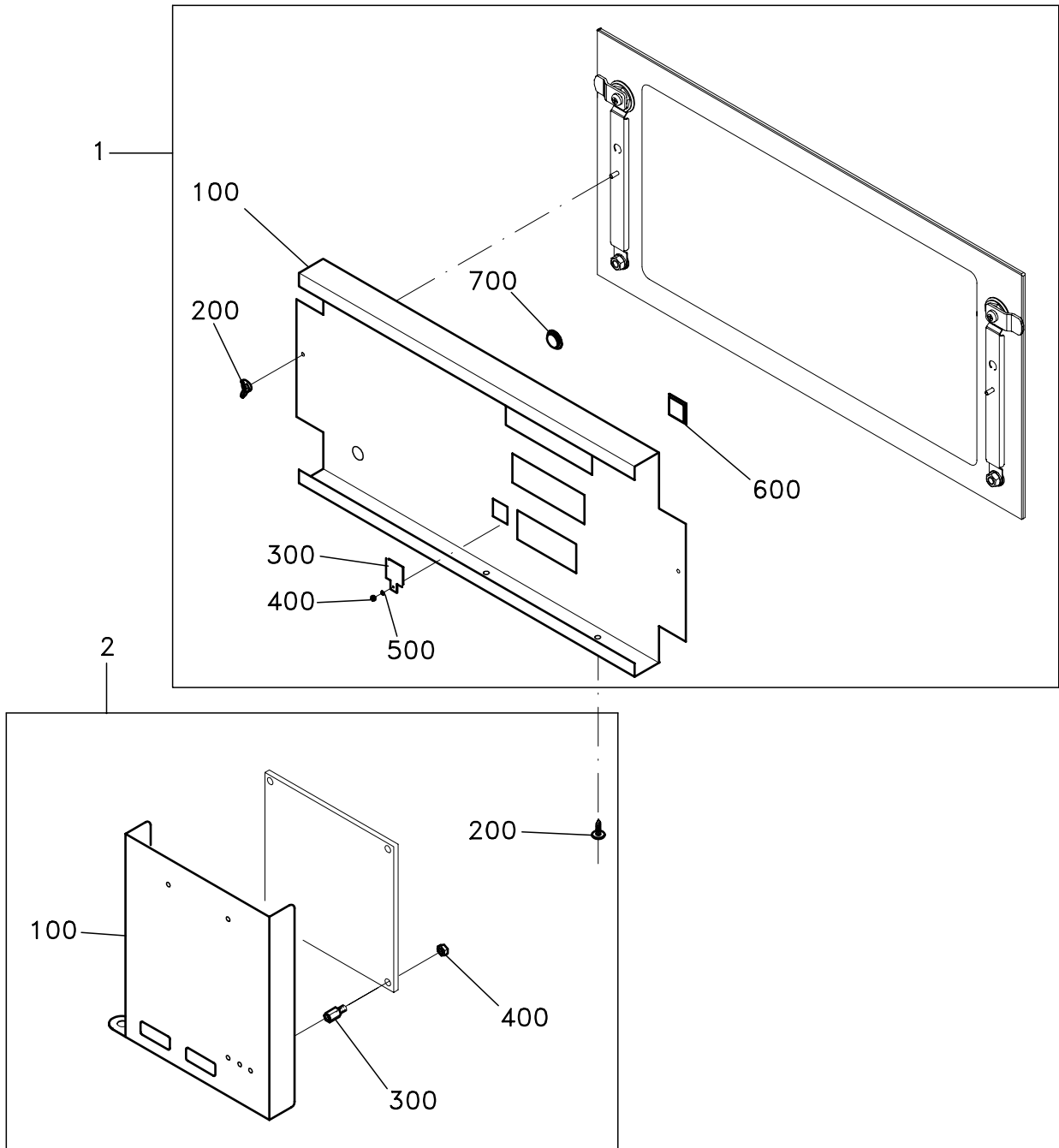


Wayne Pignone

**SCHERMO TESTATA - CARTER DISPLAY**  
 COMPUTING-HEAD SCREEN - DISPLAY CASE  
 ECRAN TETE DE COMPTAGE - CARTER DISPLAY

**TOL 11682**PAG.  
1/1ED.  
12/04REV.  
00

Pos.	Cod. No.	Descrizione	Description	Description	N.	Note
1	TLO1520428	SCHERMI DPY-L SINGOLO BIFR. S.SCRITTE	SINGLE BIFR. DPY-L SCREENS W/O WRITING	ECRANS DPY-L SINGLE BIFACE S.ECRITES	1	
.100	TLO63726	SCHERMO SINGOLO DPY-L BIANCO S.SCRITTE	SINGLE SCREEN DPY-L WHITE W/O WRIT.	ECRAN SIMPLE DPY-L BLANC. SANS ECRITES	2	
.200	FEA75004	DADO AD ALETTE M4 UNI5448 OTTONE	WING NUT M4 UNI5448, BRASS	ECROU A AILETTES M4 UNI5448 EN LAITON	4	
.300	TLP56866	COPERCHIO TOTALIZZATORE BIANCO RAL 9003	TOTALIZER COVER WHITE RAL 9003	COUVERCLE TOTALIZATEUR BLANC RAL 9003	2	
.400	FFF140030050	DADO UNI EN ISO 4032 - M3 - 6	NUT UNI EN ISO 4032 - M3 - 6	ECROU UNI EN ISO 4032 - M3 - 6	2	
.500	FNC010430050	ROSETTA UNI6592 4,3 X 9 - R40P	WASHER 4.3 X 9 - R40, UNI 6592	RONDELLE UNI6592 4,3 X 9 - R40P	2	
.600	TLZ54951	TAPPO PER FORO TOT. PER OTPM (BIANCO)	PLUG FOR TOT HOLE OTPM WHITE	BOUCHON POUR TROU TOTAL. OTPM BLANC	1	
.700	TLO25243	TAPPO IN PLASTICA BIANCO X FORO 8.5	WHITE PLASTIC TAP FOR HOLE 8.5	BOUCHON EN PLAST. BLANC POUR TROU 8.5	2	
2	TLO1519369	PARTI PER MONTAGGIO N' 1 DISPLAY "ASIC"	N.1 "ASIC" DISPLAY MOUNTING COMPONENT	COMPOSANT MONTAGE N.1 DISPLAY "ASIC"	2	
.100	TLO63300	ASSIEME CARTER DISPLAY	DISPLAY CASE, ASSY	ENS. CARTER DISPLAY	2	
.200	TLO25730	VITE AUTOFILETTANTE TRILOBATA M3 X 6	THREE-SECT. SELF.TAP. SCREW M3X6	VIS AUTO FILETANTE TRILOBEE M3X6	4	
.300	TLO24831	DISTANZIATORE ESAGONALE M4 M-F L10	HEX. SPACER M4 M-F-L10	ENTRETOISE EXAGONALE M4 M-F L10	8	
.400	FFF140040050	DADO ISO4032 - M4 - 6	NUT ISO4032 - M4 - 6	ECROU ISO4032 - M4 - 6	8	





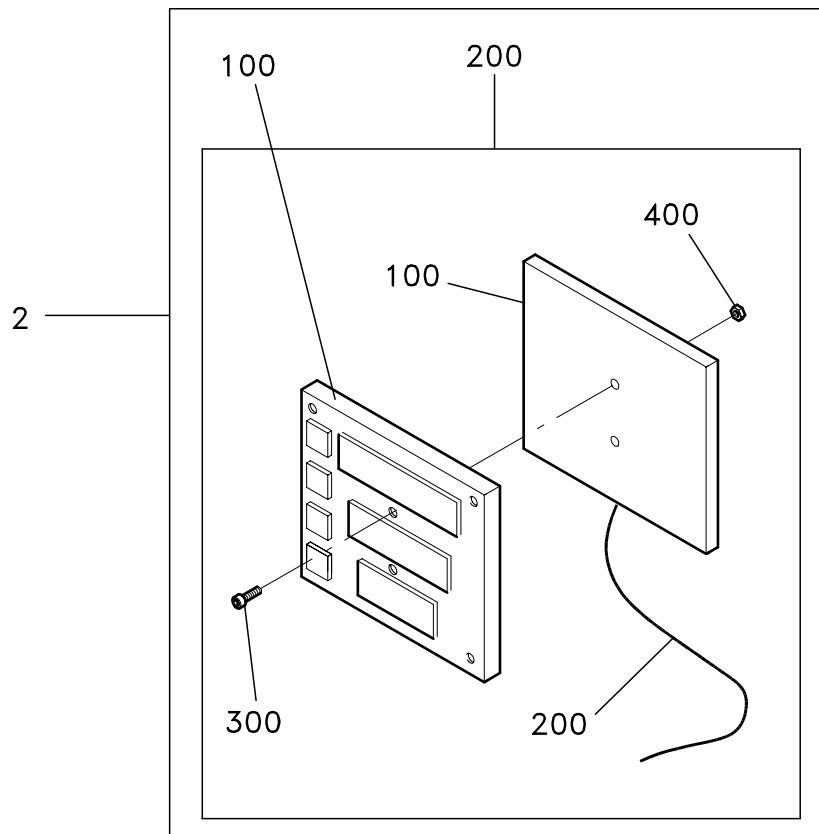
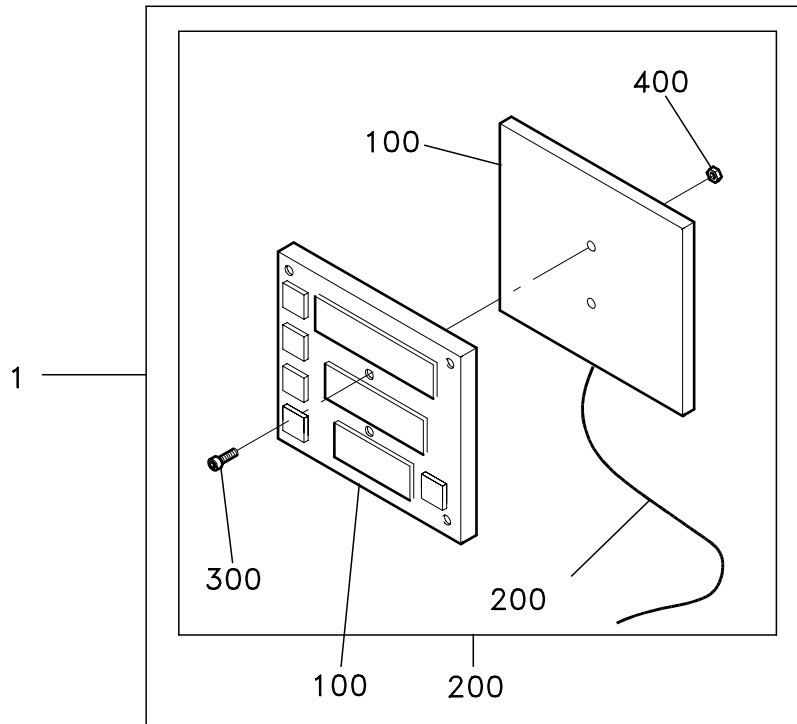
Wayne Pignone

DISPLAY ASIC  
ASIC DISPLAY  
DSPLAY ASIC

TOL 11684

PAG.  
1/1ED.  
12/04REV.  
00

Pos.	Cod. No.	Descrizione	Description	Description	N.	Note
1	TLO1501101	DISPLAY ASIC CON TOT. + RETROILLUM.	ASIC DISPLAY WITH TOT. + BACKLIGHT.	DISPLAY ASIC. AVEC TOT. + RETROECL.	1	
.100	TSO31128	DISPLAY ASIC CON TOTALIZZATORE	ASIC DISPLAY WITH TOTAL.	DISPLAY ASIC AVEC TOTAL.	1	
.200	TLO1501110	KIT RETROILLUMINATORE PER DISPLAY ASIC	BACKLIGHT. KIT FOR ASIC DISPLAY	KIT RETROECLAIRAGE POUR DISPLAY ASIC	1	
..100	TSO31145	BACK LIGHT NEW DISPLAY	BACK LIGHT NEW DISPLAY	BACK LIGHT NEW DISPLAY	1	
..200	TSO91079	CAVETTO BACK LIGHT NEW DISPLAY	CABLE BACK LIGHT NEW DISPLAY	CABLE BACK LIGHT NEW DISPLAY	1	
..300	HAG030150110	VITE M3X15 UNI6107 4.8 UNI3740	SCREW M3X15 UNI6107 4.8 UNI3740	VIS M3X15 UNI6107 4.8 UNI3740	2	
..400	FFF140030110	DADO M3 UNI5587-88-89 6S UNI3740	NUT M3 UNI5587-88-89 6S UNI3740	ECROU M3 UNI5587-88-89 6S UNI3740	2	
2	TLO1501102	DIPLAY ASIC SENZA TOT. + RETROILLUM.	ASIC DISPLAY W/O TOT. + BACKLIGHT	DIPLAY ASIC SANS TOT. + RETROECL.	1	
.100	TSO31129	DISPLAY ASIC SENZA TOTALIZZATORE	ASIC DISPLAY W/O TOTALIZER	DISPLAY ASIC SANS TOTALISATEUR	1	
.200	TLO1501110	KIT RETROILLUMINATORE PER DISPLAY ASIC	BACKLIGHT. KIT FOR ASIC DISPLAY	KIT RETROECLAIRAGE POUR DISPLAY ASIC	1	
..100	TSO31145	BACK LIGHT NEW DISPLAY	BACK LIGHT NEW DISPLAY	BACK LIGHT NEW DISPLAY	1	
..200	TSO91079	CAVETTO BACK LIGHT NEW DISPLAY	CABLE BACK LIGHT NEW DISPLAY	CABLE BACK LIGHT NEW DISPLAY	1	
..300	HAG030150110	VITE M3X15 UNI6107 4.8 UNI3740	SCREW M3X15 UNI6107 4.8 UNI3740	VIS M3X15 UNI6107 4.8 UNI3740	2	
..400	FFF140030110	DADO M3 UNI5587-88-89 6S UNI3740	NUT M3 UNI5587-88-89 6S UNI3740	ECROU M3 UNI5587-88-89 6S UNI3740	2	





Wayne Pignone

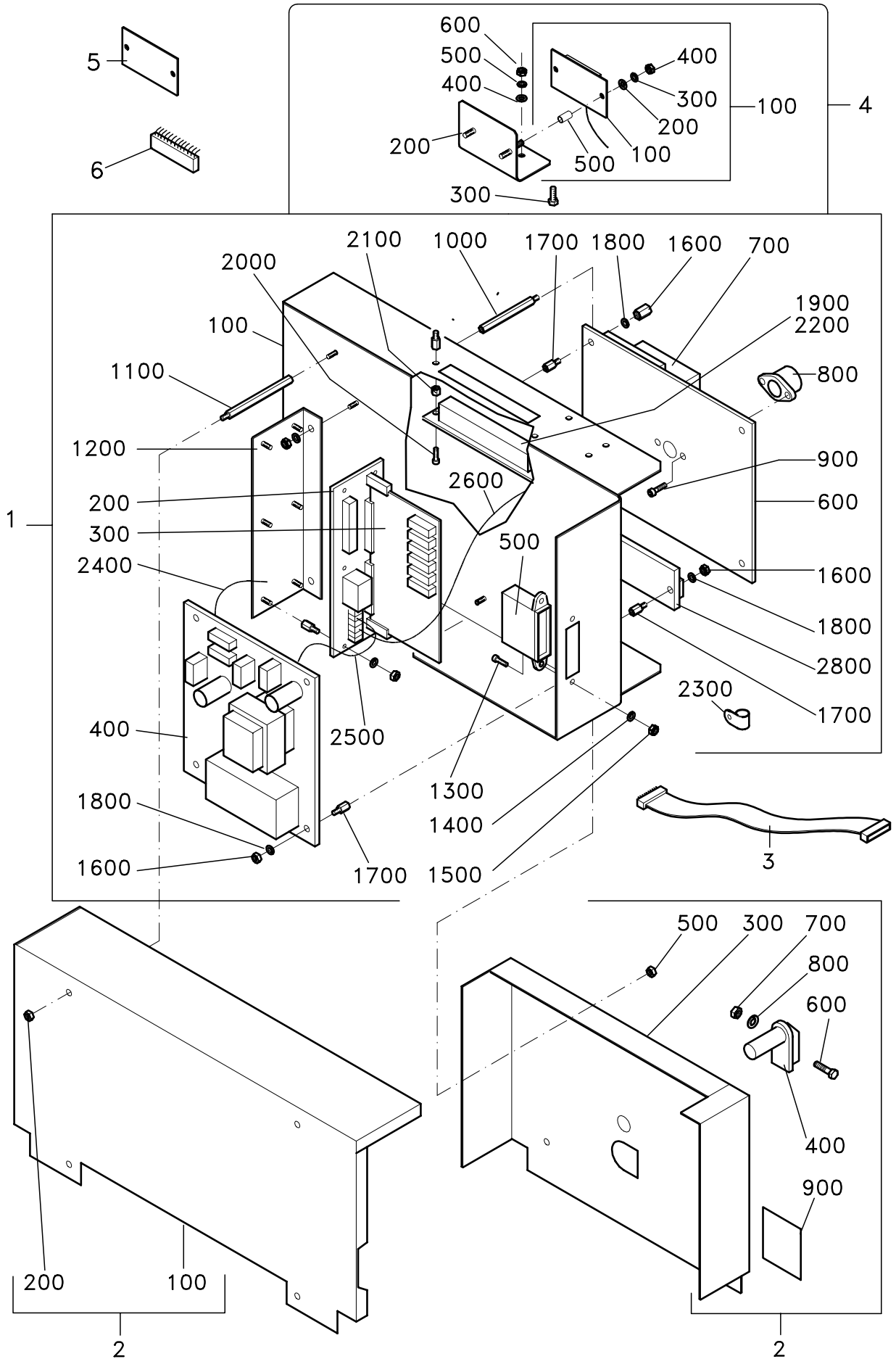
TESTATA OTP-EM  
OTP-EM COMPUTING-HEAD  
TETE DE COMPTAGE OTP-EM

TOL 11686

PAG.  
1/2ED.  
12/04REV.  
00

Pos.	Cod. No.	Descrizione	Description	Description	N.	Note
1	TSO3001012	ASSIEME TESTATA OTP E MULTI	OTP-EM COMPUTING-HEAD, ASSY.	ENS. TETE DE COMPTAGE OTP-EM	1	
.100	TLO57081	ASS.SUPPORTO TESTATA OTP-EM DPB-A DPC-N	OTP-EM C.-HEAD SUPPORT ASSY.DPB-A DPC-N	ENS.SUPPORT TETE OTP-EM DPB-A DPC-N	1	
.200	TSO31083	OTP/EM: SCHEDE MOTHER BOARD DIBE S/D	OTP/EM: MOTHER BOARD CARD DIBE S/D	OTP/EM: CARTE MOTHER BOARD DIBE S/D	1	
.300	TSO31053	SCHEDE COM. MOT. ED ELV. PER OTP/EM	CARD DRIVER MOTOR FOR OTP/EM	CARTE COM.MOT.ED ELV. POUR OTP/EM	1	
.400	TSO31027	ALIMENTATORE TESTATA OTP/EM	POWER SUPPLY FOR OTP/EM	ALIMENTATEUR TETE OTP/EM	1	
.500	TSO91022	FILTRO DI RETE SCHAFFNER FN9222-3-06	NETWORK FILTER SCHAFFNER FN9222-3-06	FILTRE DE RESEAU SCHAFFNER FN9222-3-06	1	
.600	TSO31026	CPU TESTATA OTP/EM	CPU BOARD FOR OTP/EM	CPU TETE OTP/EM	1	
.700	TSO31032	ESPANSIONE C.L. TESTATA OTP/EM	C.L. EXPANSION COMP. HEAD OTP/EM	EXPANSION C.L. TETE OTP/EM	1	
.800	TLZ52802	PROTEZIONE PER MICROSWITCH OTP-OTP/E	MICROSWITCH PROTECTION OTP/OTP-E	PROTECTION MICROINTERRUPTEUR OTP/OTP-E	1	
.900	TLO26426	VITE AUTOFORMANTE PER PLASTICA D.3 X10	SELF-TAPPING SCREW DIA 3X10	VIS AUTOTARAUDANTE D.3X10	2	
.1000	TLO26425	DISTANZIALE M4 x 70 M-F	TRIGGER LEVEL M4 x 70 M-F	ENTRETOISE M4 x 70 M-F	4	
.1100	TLP57077	DISTANZIALE F-M M6X15-6X12 L= 75	SPACER F-M M6X15-6X12 L= 75	ENTRETOISE F-M M6X15-6X12 L= 75	4	
.1200	TLO57079	AS.SCHERMO ALIMENTATORE - R.V. DP B-A C-N	V.R. POWER SUPPLY SCREEN ASSY DP B-A CN	ENS. ECRAN ALIMENTATEUR R.V. DP B-A C-N	1	
.1300	HLE030160050	VITE M3X16 UNI5933 10.9 UNI3740	SCREW M3X16 UNI5933 10.9 UNI3740	VIS M3X16 UNI5933 10.9 UNI3740	2	
.1400	FNP030320050	ROSETTA UNI1751 - A 3	WASHER UNI1751-A 3	RONDELLE UNI1751-A 3	2	
.1500	FFF140030050	DADO UNI EN ISO 4032 - M3 - 6	NUT UNI EN ISO 4032 - M3 - 6	ECROU UNI EN ISO 4032 - M3 - 6	2	
.1600	FFF140040050	DADO ISO4032 - M4 - 6	NUT ISO4032 - M4 - 6	ECROU ISO4032 - M4 - 6	24	
.1700	TLO24832	DISTANZIATORE ESAGONALE M-F M4 L=12	HEX. SPACER M-F M4 L=12	ENTRETOISE EXAGONALE M-F M4 L=12	21	
.1800	FNP030430050	ROSETTA UNI1751 - A 4	WASHER A4, UNI 1751	RONDELLE UNI1751 - A4	24	
.1900	TSO31084	OTP/EM: MORSETTIERA RXTX	OTP/EM: TERMINAL BOARD RXTX	OTP/EM: BORNE RXTX	1	
.2000	HCN040100110	VITE M4X10 UNI5931 8.8 UNI3740	SCREW M4X10 UNI5931 8.8 UNI3740	VIS M4X10 UNI5931 8.8 UNI3740	2	
.2100	TLO27357	DISTANZIALE M4x5 F-F	SPACER M4X5 F-F	ENTRETOISE M4X5 F-F	2	
.2200	TLO27364	CONNETTORE FEMMINA 15 POLI	15-POLE FEMALE CONNECTOR	CONNECTEUR FEMELLE 15 POLES	1	
.2300	TLO27178	FERMACAVO IN ALLUMINIO	CABLE FASTENER, ALUMINIUM	ARRET CABLE EN ALUMINIUM	2	
.2400	TSO91018	CAVO COLLEG. CPU - ALIMENTATORE OTP/EM	CPU-POWER SUPPLY CONN. CABLE OTP/EM	CABLE CONN. CPU-ALIMENTATEUR OTP/EM	1	
.2500	TSO91067	OTP/EM: CAVO CPU-M.BOARD DIBE S/D	OTP/EM: CABLE CPU-M.BOARD DIBE S/D	OTP/EM: CABLE CPU-M.BOARD DIBE S/D	1	
.2600	TSO91068	OTP/EM: CAVO ALIM.-M.BOARD DIBE S/D	OTP/EM: CABLE.POWER S.-M.BOARD DIBE S/D	OTP/EM: CABLE ALIM.-M.BOARD DIBE S/D	1	
.2700	TLO27811	KIT CAVETTI FILTRO/ALIM. TESTATA OTPEM	COMP-HEAD POWER SUPPLY/FIL.CABLES OTPEM	CABLES ALIM.TETE DE COMPT./FILTRE OTPEM	1	
.2800	TSO31085	OTP/EM: MORSETTIERA APPOGGIO SEGNALI	OTP/EM: TERMINAL BOARD, SIGNALS	OTP/EM: BORNE POUR SIGNAUX	1	
2	TLO1526306	SERIE CARTER A COMPLET. B.T. DYL AdBlue	COMPL. CASE SERIES L.V. DYL AdBlue	SERIE CARTER D'ACHEVEM. B.T. DYL AdBlue	1	
.100	TLO65221	CARTER SUPP.TESTATA OTP-EM DYL AdBlue	COMP.-HEAD SUPP. CASE OTP-EM DYL AdBlue	CARTER SUPPORT TETE OTP-EM DYL AdBlue	1	
.200	FFF140060050	DADO ISO4032 - M6 - 6	NUT ISO4032 - M6 - 6	ECROU ISO4032 - M6 - 6	4	
.300	TLP54374	ASSIEME CARTER CPU OTPE-M	CPU SHIELD ASS.Y OTPE-M	ENSEMBLE CARTER CPU OTPE-M	1	
.400	TLZ54575	TAPPO PER SWITCH DI TARATURA (OTPE-M)	PLUG FOR SETTING SWITCH (OTPE-M)	BOUCHON POUR INTERRUPTEUR DE TARAGE(OTPE-M)	1	
.500	TLV42798	DADO M4 (H 14) FORATO PER PIOMBATURA	NUT M4 (H 14) DRILLED FOR SEALING	ECROU M4(H 14) TROUE POUR PLOMBAGE	4	
.600	TLP32373	VITE UNI6107 M4 X 14 - 4.8 -GAMBO FOR.	SCREW UNI6107 M4X14 - 4.8 -DRILLED STEM	VIS UNI6107 M4X14 - 4.8 -TIGE PERCEE	1	
.700	FFF140040050	DADO ISO4032 - M4 - 6	NUT ISO4032 - M4 - 6	ECROU ISO4032 - M4 - 6	1	
.800	FNC010430050	ROSETTA UNI6592 4,3 X 9 - R40P	WASHER 4.3 X 9 - R40, UNI 6592	RONDELLE UNI6592 4,3 X 9 - R40P	1	
.900	TLO26431	ADESIVO PER "CALIBRATION SWITCH"	ADHESIVE LABEL FOR "CALIBRATION SWITCH"	ADHESIF POUR "CALIBRATION SWITCH"	1	







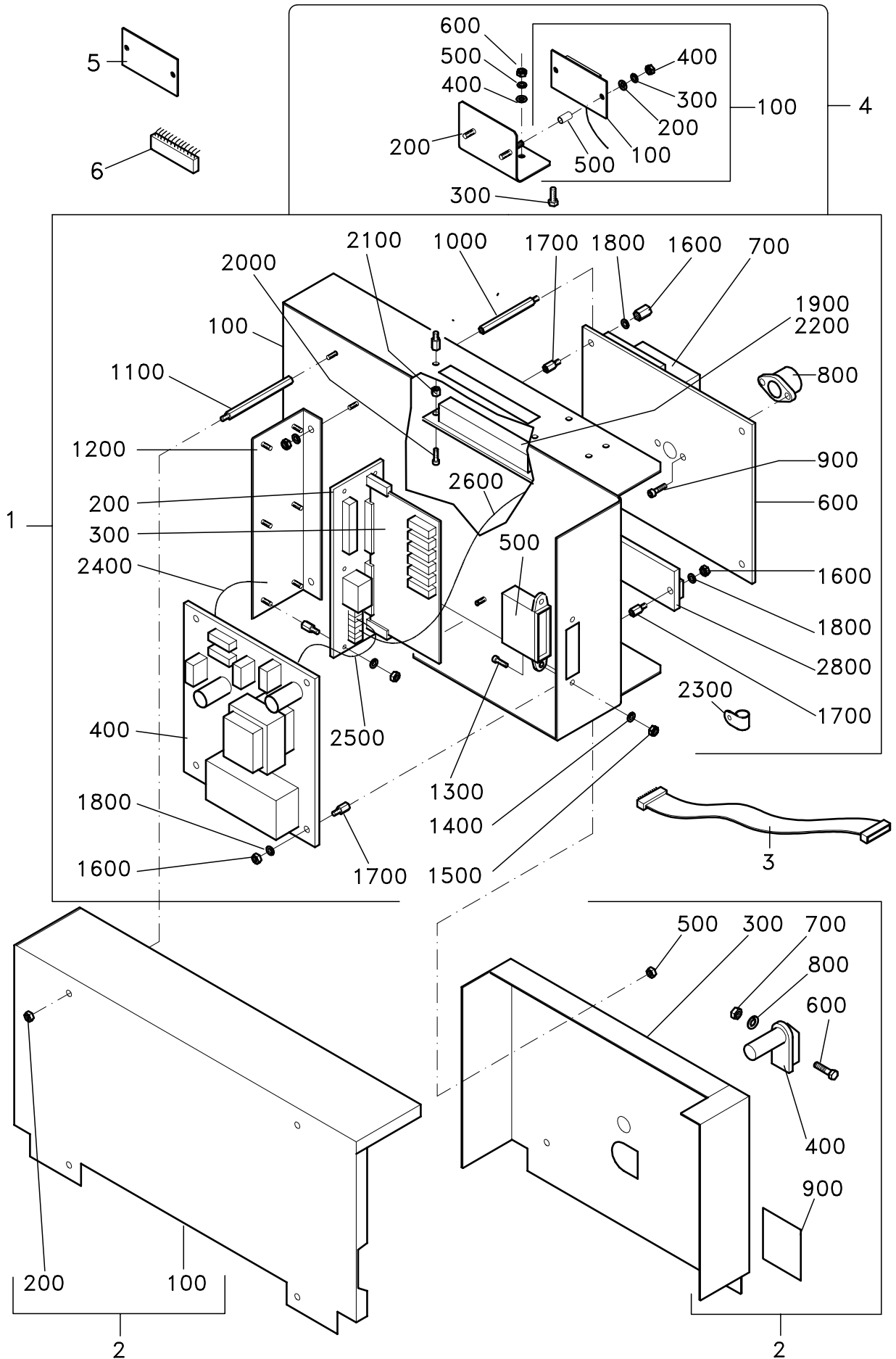
Wayne Pignone

**TESTATA OTP-EM**  
 OTP-EM COMPUTING-HEAD  
 TETE DE COMPTAGE OTP-EM

**TOL 11686**

PAG. 2/2      ED. 12/04      REV. 00

Pos.	Cod. No.	Descrizione	Description	Description	N.	Note
3	TLO27941	FLAT CPU-2 DISPLAY OTPEM MONOPRODOTTO	FLAT CPU-2 DISPLAY OTPEM, MONOPRODUCT	FLAT CPU-2 DISPLAY OTPEM MONOPRODUIT	1	
4	TLO1410218	ASS. MODULO PROG. TESTATA OTPEM DPCN/1	PROGR. MODULE ASSY, OTPEM DPCN/1	ENS. MODULE PROGR. TETE OTPEM DPCN/1	1	
.100	TLO1410209	KIT MODULO DI PROGRAMMAZIONE TEST.OTPEM	KIT. PROGRAMMING MODULE (OTP-EM)	KIT MODULE DE PROGRAMMATION (OTP-EM)	1	
.100	TLO27277	MODULO DI PROG. TEST. OTP vers. E multi	PROGRAMMING MODULE,OTPEM COMPUT.-HEAD	MODULE DE PROGRAMM. TETE DE COMPT.OTPEM	1	
.200	FNC010430050	ROSETTA UNI6592 4,3 X 9 - R40P	WASHER 4.3 X 9 - R40, UNI 6592	RONDELLE UNI6592 4,3 X 9 - R40P	2	
.300	FNP030430050	ROSETTA UNI1751 - A 4	WASHER A4, UNI 1751	RONDELLE UNI1751 - A4	2	
.400	FFF140040050	DADO ISO4032 - M4 - 6	NUT ISO4032 - M4 - 6	ECROU ISO4032 - M4 - 6	2	
.500	TLZ25305	DISTANZIATORE LISCIO D.4.3 X D.8 X L= 5	SPACER DIA. 4.3x8 L=5	ENTRETOISE DIAM. 4.3x8 L=5	2	
.200	TLO57059	SUPPORTO MODULO DI PROGRAM.OTP-EM DPC-N	PROGRAMMING SUPPORT MODULE OTP-EM DPC-N	SUPPORT MODULE DE PROGRAMM.OTP-EM DPC-N	1	
.300	HCN050100110	VITE M5X10 UNI5931 8.8 UNI3740	SCREW M5X10 UNI5931 8.8 UNI3740	VIS M5X10 UNI5931 8.8 UNI3740	2	
.400	FNC010530050	ROSETTA UNI6592 5.3 X 10 - R40P	WASHER UNI6592 5.3X10-R40P	RONDELLE UNI6592 5.3X10-R40P	2	
.500	FNP030530050	ROSETTA UNI1751 - A 5	WASHER A5, UNI 1751	RONDELLE UNI1751 - A5	2	
.600	FFF140050050	DADO ISO4032 - M5 - 6	NUT ISO4032 - M5 - 6	ECROU ISO4032 - M5 - 6	2	
5	TSO31144	SCHEDA RILANCIO BACK LIGHT OTP/EM	POWER SUPPLY CARD, BACK LIGHT OTP/EM	CARTE ALIMENTATION BACK LIGHT OTP/EM	1	
6	TSO31033	ESPANSIONE RS485 TESTATA OTP/M	RS485 EXPANSION COMP. HEAD OTP/M	EXPANSION RS485 TETE OTP/M	1	

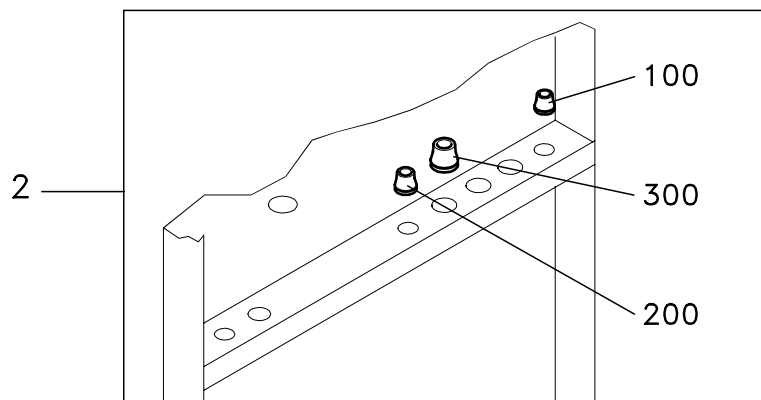
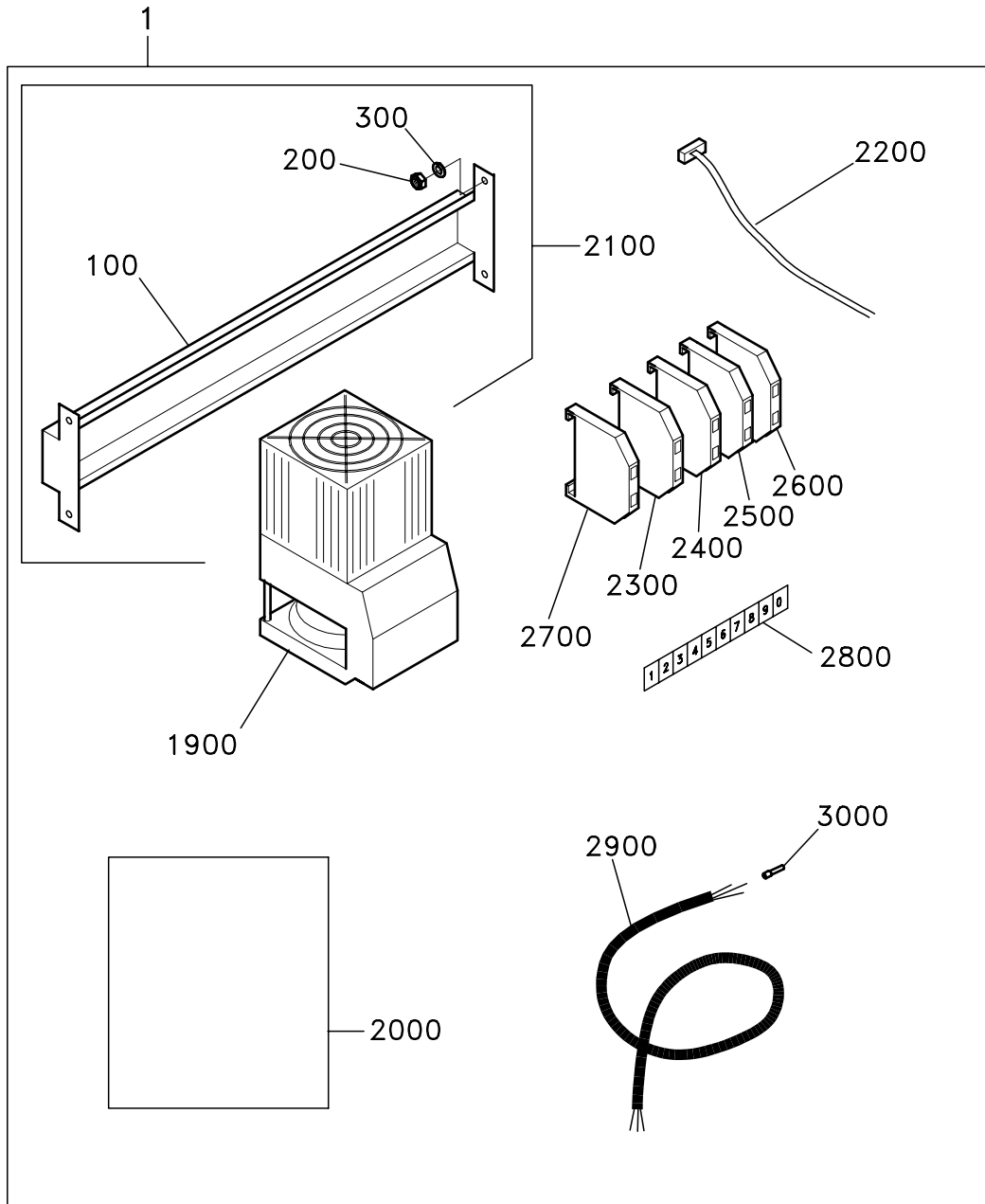




Wayne Pignone

**MONTAGGIO ACCESSORI ELETTRICI**  
 ELECTRICAL FITTINGS  
 COMPOSANTS ELECTRIQUES
**TOL 11688**PAG.  
1/1ED.  
12/04REV.  
00

Pos.	Cod. No.	Descrizione	Description	Description	N.	Note
1	TLO1500202	IMPIANTO ELETTRICO DYL UREA	ELECTRIC SYSTEM DYL UREA	INSTALL. ELECTR. DYL UREA	1	
.1900	TLO28870	RISCALDATORE DBK CIRRUS80 300/600W 230V	HEATER DBK CIRRUS80 300/600W 230V	RECHAFFEUR DBK CIRRUS80 300/600W 230V	1	
.2000	TLO28871	TERMOSTATO CON CONTATTO N.C. 0-600C	THERMOSTAT WITH N.C. CONTACT 0-600C	TERMOSTAT AVEC CONTACT N.F 0-600C	1	
.2100	TLO1517136	PARTI PER MONTAGGIO ACCESSORI SU GUIDA	FITTINGS MOUNTING COMP. ON SLIDE	COMP. MONTAGE ACCESSOIRES SUR GUIDE	1	
.1100	TLP63092	GUIDA SUPPORTO ACCESSORI PER FRANCIS	FITTINGS SUPPORT SLIDE (FRANCIS)	GUIDE SUPPORT ACCESSOIRES (FRANCIS)	1	
.200	FFF140060050	DADO ISO4032 - M6 - 6	NUT ISO4032 - M6 - 6	ECROU ISO4032 - M6 - 6	4	
.300	FNC010670050	ROSETTA UNI6592 6.4 X 12,5-R40P	WASHER UNI6592 6.4 X 12.5 - R40P	RONDELLE UNI6592 6.4 X 12,5 - R40P	4	
.2200	TLO28889	CAVO ALIMENTAZIONE TESTATA OTPE-LT	POWER SUPPLY CABLE, OTPE-LT COMP.-HEAD	CABLE ALIMENTATION TETE OTPE-LT	1	
.2300	TLO28876	MORSETTO ADO/VITE GRIGIO ENTRLEC	CLAMP ADO/GREY SCREW ENTRLEC	BORNE ADO/VIS GRIS ENTRLEC	4	
.2400	TLO28877	MORSETTO ADO/VITE BLU ENTRELEC	CLAMP ADO/BLUE SCREW ENTRELEC	BORNE ADO/VIS BLEU ENTRELEC	2	
.2500	TLO28878	MORSETTO DI TERRA ADO/VITE ENTRELEC	GROUND CLAMP ADO/SCREW ENTRELEC	BORNE ADO/VIS ENTRELEC	2	
.2600	TLO28880	PIASTRINA TERMINALE GRIGIA ENTRELEC	TERMINAL PLATE, GREY ENTRELEC	PLAQUETTE TERMINALE GRIS ENTRELEC	1	
.2700	TLO28879	BLOCCHETTO D'ARRESTO ENTRELEC	STOP BLOCK ENTRELEC	BLOC D'ARRET ENTRELEC	1	
.2800	TLO25400	CARTELLINA PER NUMER. MORSETTI 1-10	DECAL 1 TO 10 FOR TERMINAL BOARD	NUMEROTATION 1-10 POUR BORNES	1	
.2900	TLO38224	CAVO ELETTRICO (2+1)X1,5	EL. WIRE (2+1)X1,5	CABLE (2+1)X1,5	2	
.3000	TLO24528	PUNTALE PER CONDUTTORE SEZ.1.5MMQ	PUSH ROD FOR CONDUCTOR SEC. 1.5SQMM	EMBOUT POUR CONDUCTEUR SECT. 1.5MMQ	10	
2	TLO1556701	PASSACAVI PER 2 BARRIERE DI SEPARAZIONE	CABLE GLAND - 2 BARRIERS	PASSECABLES POUR 2 BARRIERS	1	
.100	TLO28853	PASSACAVO THORMANS TET-C 5-7	CABLE GLAND THORMANS TET-C 5-7	PRESSE CABLE THORMANS TET-C 5-7	8	
.200	TLO28854	PASSACAVO THORMANS TET-C 7-10	CABLE GLAND THORMANS TET-C 7-10	PRESSE CABLE THORMANS TET-C 7-10	4	
.300	TLO28855	PASSACAVO THORMANS TET-C 10-14	CABLE GLAND THORMANS TET-C 10-14	PRESSE CABLE THORMANS TET-C 10-14	6	

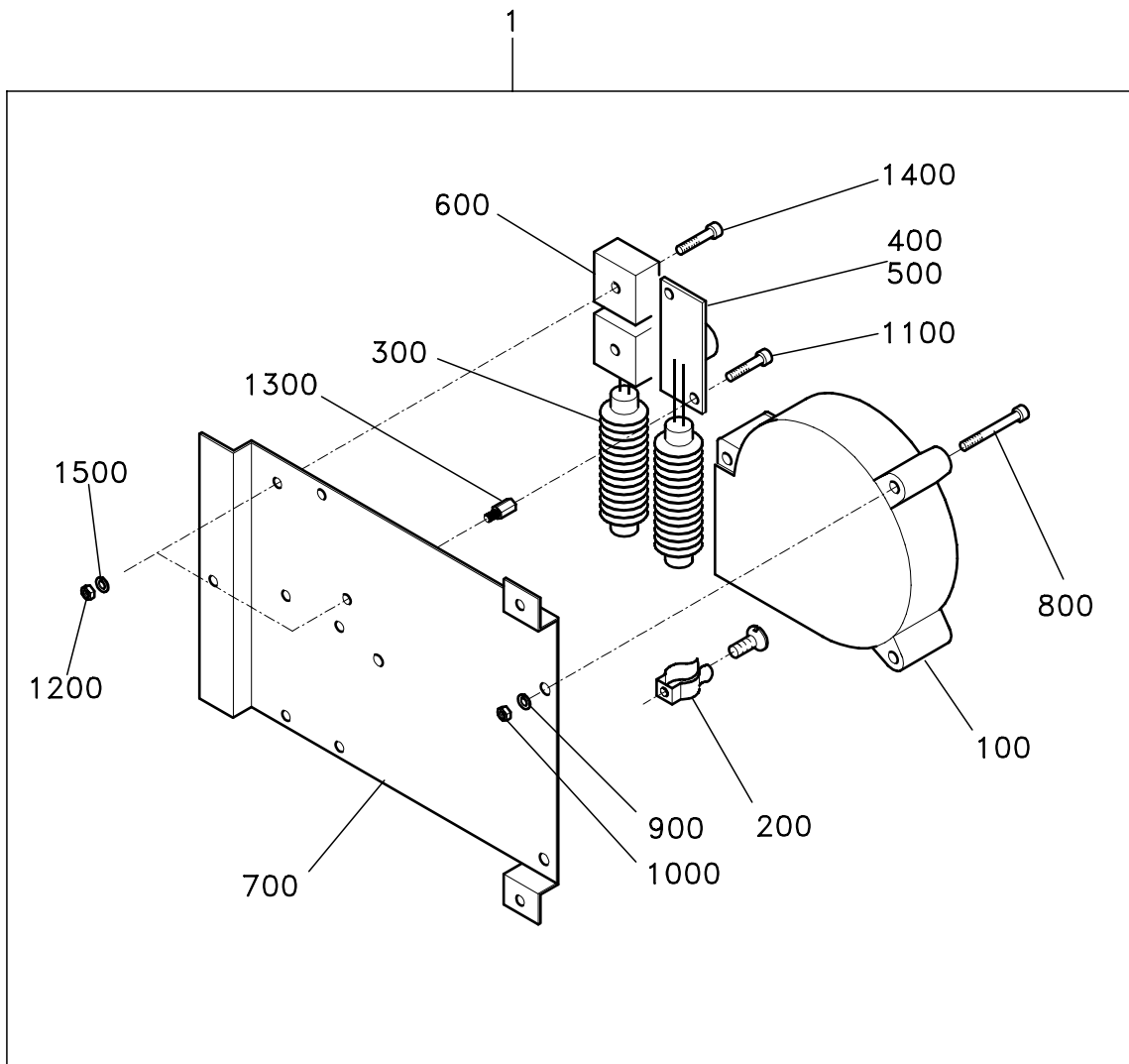




Wayne Pignone

**RISCALDATORE TESTATA**  
 COMPUTING-HEAD HEATER  
 RECHAUFFEUR TETE DE COMPTAGE
**TOL 11690**PAG.  
1/1ED.  
12/04REV.  
00

Pos.	Cod. No.	Descrizione	Description	Description	N.	Note
1	TLO1384300	RISCALDATORE TESTATA PER DPB-A DPX-F	COMP. HEAD HEATER FOR DPB-A DPX-F	RECHAUFF. TETE POUR DPB-A DPX-F	1	
.100	TLO24827	VENTOLA TANGENZIALE A 220V	TANGENTIAL FAN 220V	VENTILATEUR TANGENTIEL A 220V	1	
.200	TLR21094	SPRING CLIP	SPRING CLIP	GRIFFE DU RESSORT	4	
.300	TLO24826	RESISTORE DA 100W-220V	RESISTOR 100W-220V	RESISTOR DE 100W-220V	2	
.400	TLO24814	ASSIEME TERMOSTATO DA 0 C A 15 C	THERMOSTAT ASSY FROM 0 C TO 15 C	ENSEMBLE THERMOSTAT DE 0 C A 15 C	1	
.500	TLO24808	ASSIEME TERMOSTATO DA 34C A 50C	THERMOSTAT ASSY FROM 34C TO 50C	ENSEMBLE THERMOSTAT DE DA 34C A 50C	1	
.600	TLO22349	MORSETTO A VITE 2 POLI	SCREW TERMINAL, 2 POLES	BORNE A VIS 2 POLES	2	
.700	TLP50778	PIASTRA PER RISCALDAMENTO DPBA	PLATE FOR HEATING DPBA	PLAQUE POUR RECHAUFFAGE DPBA	1	
.800	HCN040400110	VITE M4X40 UNI5931 8.8 UNI3740	SCREW M4X40 UNI5931 8.8 UNI3740	VIS M4X40 UNI5931 8.8 UNI3740	3	
.900	FFF140040050	DADO ISO4032 - M4 - 6	NUT ISO4032 - M4 - 6	ECROU ISO4032 - M4 - 6	3	
.1000	FNC010430050	ROSETTA UNI6592 4,3 X 9 - R40P	WASHER 4.3 X 9 - R40, UNI 6592	RONDELLE UNI6592 4,3 X 9 - R40P	3	
.1100	HAG030060110	VITE M3 X 6 UNI6107 4.8 UNI3740	SCREW M3 X 6 UNI6107 4.8 UNI3740	VIS M3 X 6 UNI6107 4.8 UNI3740	6	
.1200	FFF140030050	DADO UNI EN ISO 4032 - M3 - 6	NUT UNI EN ISO 4032 - M3 - 6	ECROU UNI EN ISO 4032 - M3 - 6	8	
.1300	TLO24680	DISTANZIATORE ESAGONALE M3 MASCHIO-FEMM	HEXAGONAL SPACER M3 MALE-FEMALE	ENTRETOISE EXAGONALE M3 MALE-FEMALE	2	
.1400	HAG030180110	VITE M3X18 UNI6107 4.8 UNI3740	SCREW M3X18 UNI6107 4.8 UNI3740	VIS M3X18 UNI6107 4.8 UNI3740	2	
.1500	FNC010320050	ROSETTA UNI6592 3,2 X 7 - R40P	WASHER UNI6592 3,2 X 7 - R40P	RONDELLE UNI6592 3,2 X 7 - R40P	4	





Wayne Pignone

**TARGHE E PIOMBATURE**  
SIGNS AND SEALS  
PLAQUES ET PLOMBAGES

**TOL 11692**

PAG.  
1/1

ED.  
12/04

REV.  
00

Pos.	Cod. No.	Descrizione	Description	Description	N.	Note
1		<b>TARGHETTE</b>	SIGNS	<i>PLAQUES</i>		
.100	<b>TLS51779</b>	<b>TARGA * DRESSER WAYNE PIGNONE *</b>	* DRESSER WAYNE PIGNONE * SIGN	<i>PLAQUETTE * DRESSER WAYNE PIGNONE *</i>	1	
.200	<b>TLO26659</b>	<b>RIVETTO D=4 A FONDO CHIUSO</b>	RIVET, D=4 BLIND ROOT	<i>RIVET D=4 FOND AVEUGLE</i>	4	
.300	<b>TLZ24900</b>	<b>TAPPO</b>	PLUG	<i>BOUCHON</i>	7	





Wayne Pignone

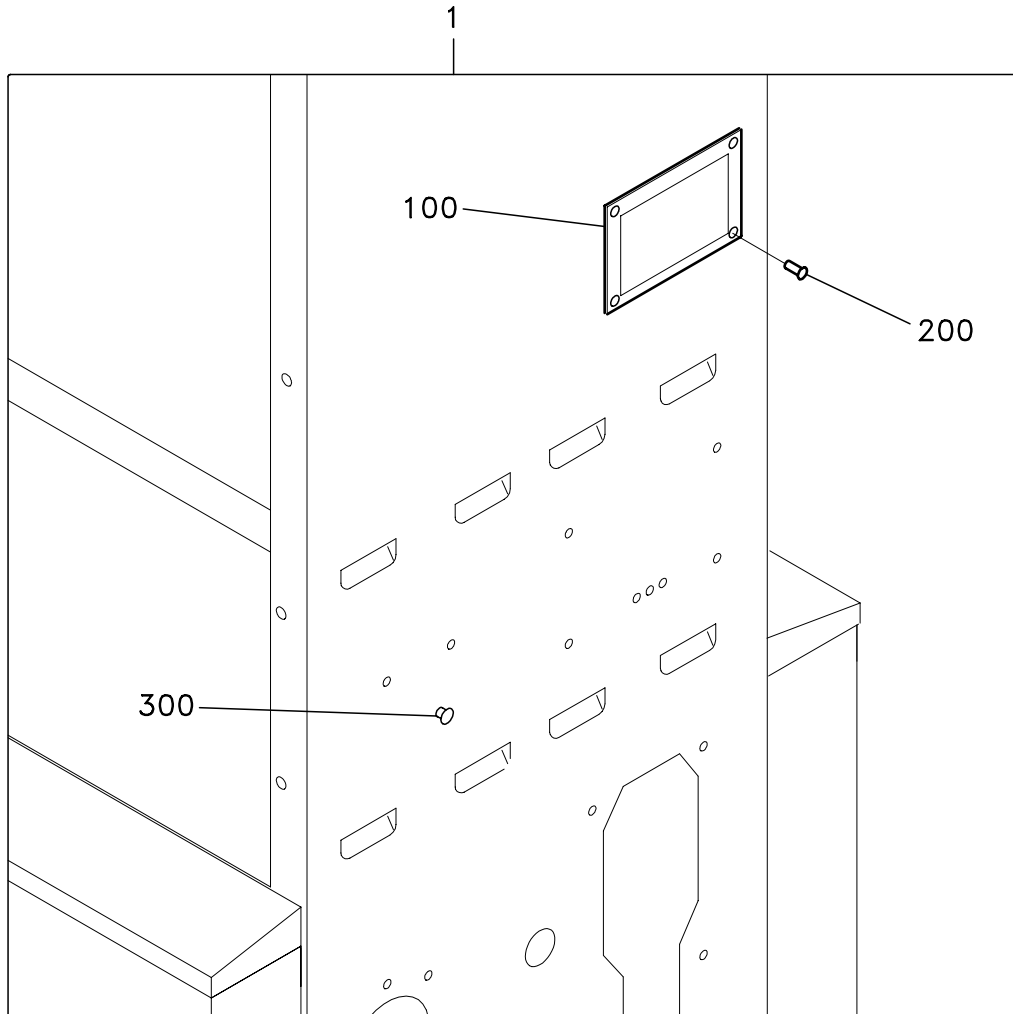
TARGHE E PIOMBATURE  
SIGNS AND SEALS  
PLAQUES ET PLOMBAGES

TOL 11693

PAG.  
1/1

ED.  
12/04

REV.  
00





Wayne Pignone

**COMPONENTI ELETTRICI**  
 ELECTRICAL COMPONENTS  
 QUINCAILLERIES ELECTRIQUES
**TOL 11694**PAG.  
1/1ED.  
12/04REV.  
00

Pos.	Cod. No.	Descrizione	Description	Description	N.	Note
	TLO1500202	IMPIANTO ELETTRICO DYL UREA	ELECTRIC SYSTEM DYL UREA	INSTALL. ELECTR. DYL UREA	1	
	TLO24527	PUNTALE PER CONDOTTORE SEZ.1MMQ	PUSH ROD FOR CONDUCTOR SEC. 1SQMM	EMBOUT POUR CONDUCTEUR SECT. 1MMQ	3	
	TLO25750	CONNETTORE A 2 VIE	2-WAY CONNECTOR	CONNECTEUR A 2 VOIES	2	
	TLO27364	CONNETTORE FEMMINA 15 POLI	15-POLE FEMALE CONNECTOR	CONNECTEUR FEMELLE 15 POLES	1	
	TLO22291	CONNETTORE 8 POLI	8-POLE CONNECTOR	CONNECTEUR 8 POLES	1	
	TLO22290	CONNETTORE 6 POLI	6-POLE CONNECTOR	CONNECTEUR 6 POLES	1	
	TLO27818	CAVO SEGNALI PER DPCN E DPBA	SIGNALS CABLE DPCN AND DPBA	CABLE SIGNALS DPCN ET DPBA	1	
	TLO22625	CONNETTORE 3 POLI	3-POLE CONNECTOR	CONNECTEUR 3 POLES	1	
	TLZ61370	ADESIVO PROVE INDIVIDUALI POSITIVE	ADHESIVE, POSIT. INDIV. CHECK	ADHESIF ESSAIS INDIVID. POSITIFS	1	
	TLZ21805	SUPPORTO AUTOADESIVO PER FASCETTE	CLAMP SELF-ADHESIVE SUPPORT	SUPPORT AUTOADHESIVE POUR BANDES	10	
	TLZ35648	CINTURINO LEGACAVI TY 25 M	CABLE CLAMP TY25 M	BRIDE ATTACHE-CABLES TY 25 M	10	
	TLZ35649	CINTURINO LEGACAVI TY 23 M	CABLE CLAMP TY23M	BRIDE ATTACHE-CABLES TY 23 M	10	
	TLO22687	STRISCE ADESIVE PER NUMERAZIONE 1-10	ADHESIVE STRIPS FOR 1-10 NUMBERING	BANDES ADHESIVES POUR NUMEROTAGE 1-10	1	
	TLO24526	PUNTALE PER CONDOTTORE SEZ.0.5 MMQ	PUSH ROD FOR CONDUCTOR SEC. 0.5SQMM	EMBOUT POUR CONDUCTEUR SECT. 0.5MMQ	6	
	TLO24527	PUNTALE PER CONDOTTORE SEZ.1MMQ	PUSH ROD FOR CONDUCTOR SEC. 1SQMM	EMBOUT POUR CONDUCTEUR SECT. 1MMQ	3	
	TLZ52674	ADES. "PERICOLO APPARECCH. SOTTO TENS."	ADH.LABEL "DANGER DEVICE UNDER VOLTAGE"	ADHESIF "DANGER, DISPOSITIF SOUS TENSION"	1	
	TLZ41799	TARGHETTA AUTOAD.PER IDENT.SCHEMA CABL.	SELF-ADHESIVE PLATE,WIRING PLANT IDENT.	PLAQUE AUTOADESIVE IDENTIF.SCHEMA CABL.	1	
	TLZ51667	ETICHETTE PER IMPIANTO DI TERRA	GROUND SYSTEM LABEL	VIGNETTE POUR INSTALLATION DE TERRE	1	
	TLO1442450	PART. MESSA TERRA DYL TESTATA OTP-ELT	DYL GROUND COMP.-COMP. - HEAD OTP-ELT	COMP. DE TERRE DYL OTP-ELT	1	
	TLO21643	CAPOCORDA A OCCHIELLO BLU PER VITE M4	BLUE EYE TERMINAL FOR M4 SCREW	BOUT CORDE A OEILLERE BLEUE POUR VIS M4	2	
	TLO25768	CAPOCORDA A OCCHIELLO BLU M5	BLUE EYE TERMINAL M5	BOUT CORDE A OEILLERE BLEUE VIS M5	12	
	TLO22334	CAPOCORDA A OCCHIELLO PER VITE M6	EYE TERMINAL FOR M6 SCREW	BOUT CORDE A OEILLERE POUR VIS M6	1	
	TLO27276	CAPOCORDA FASTON 1.5-2.5 mm	FASTON TERMINAL 1.5-2.5mm	COSSE FASTON 1.5-2.5mm	3	
	TLO26590	VITE AUTOFORMANTE TRILOBATA M5 x 10	THREE-LOBE SELF. TAP. SCREW M5 x 10	VIS AUTOTARAUDANTE TRILOBEE M5 x 10	8	
	TLO25730	VITE AUTOFILETTANTE TRILOBATA M3 X 6	THREE-SECT. SELF.TAP. SCREW M3X6	VIS AUTO FILETANTE TRILOBEE M3X6	2	
	TLO54220	SPEZZONE DI CAVO UNIPOLARE G/V 2,5 mmq	UNIPOLAR WIRE Y/G 2.5 sqmm	CABLE UNIPOLAIRE J/V 2.5 mmc	7	
	TLO45500	SPEZZONE DI CAVO 2 + 2 X 0,5 MMQ	WIRE 2+2 X 0.5 SQMM	CABLE 2+2 X 0.5 MMC	1	
	TLO12004	CAPOCORDA A FORCELLA PREISOLATO IN PVC	PREINSULATED FORK TERMINAL (PVC)	BOUT CORDE A FOURCHE REISOLE EN PVC	5	
	TLO28093	PRESSACAVO EExd PNA1-1M20 cavo 5.5-8mm	CABLE GLAND EExd PNA1-1M20 cable 5-8mm	PRESSE CABLE EExd PNA1-1M20 cab.5.5-8mm	1	
	TLO28094	PRESSACAVO EExd PNA1-3M20 cavo 10-13mm	CABLE GLAND EExd PNA1-3M20cable 10-13mm	PRESSE CABLE EExd PNA1-3M20 cab.10-13mm	1	
	TLZ61370	ADESIVO PROVE INDIVIDUALI POSITIVE	ADHESIVE, POSIT. INDIV. CHECK	ADHESIF ESSAIS INDIVID. POSITIFS	1	
	TLZ41799	TARGHETTA AUTOAD.PER IDENT.SCHEMA CABL.	SELF-ADHESIVE PLATE,WIRING PLANT IDENT.	PLAQUE AUTOADESIVE IDENTIF.SCHEMA CABL.	1	
	TLZ35648	CINTURINO LEGACAVI TY 25 M	CABLE CLAMP TY25 M	BRIDE ATTACHE-CABLES TY 25 M	10	
	TLZ35649	CINTURINO LEGACAVI TY 23 M	CABLE CLAMP TY23M	BRIDE ATTACHE-CABLES TY 23 M	10	
	TLO24526	PUNTALE PER CONDOTTORE SEZ.0.5 MMQ	PUSH ROD FOR CONDUCTOR SEC. 0.5SQMM	EMBOUT POUR CONDUCTEUR SECT. 0.5MMQ	6	
	TLO24527	PUNTALE PER CONDOTTORE SEZ.1MMQ	PUSH ROD FOR CONDUCTOR SEC. 1SQMM	EMBOUT POUR CONDUCTEUR SECT. 1MMQ	2	



Wayne Pignone

**COMPONENTI ELETTRICI**  
 ELECTRICAL COMPONENTS  
 QUINCAILLERIES ELECTRIQUES
**TOL 11694**

PAG. 1/1    ED. 12/04    REV. 00

Pos.	Cod. No.	Descrizione	Description	Description	N.	Note
	TLO1442450	PART. MESSA TERRA DYL TESTATA OTP-ELT	DYL GROUND COMP.-COMP. - HEAD OTP-ELT	COMP. DE TERRE DYL OTP-ELT	1	
	TLO21643	CAPOCORDA A OCCHIELLO BLU PER VITE M4	BLUE EYE TERMINAL FOR M4 SCREW	BOUT CORDE A OEILLERE BLEUE POUR VIS M4	2	
	TLO25768	CAPOCORDA A OCCHIELLO BLU M5	BLUE EYE TERMINAL M5	BOUT CORDE A OEILLERE BLEUE VIS M5	12	
	TLO22334	CAPOCORDA A OCCHIELLO PER VITE M6	EYE TERMINAL FOR M6 SCREW	BOUT CORDE A OEILLERE POUR VIS M6	1	
	TLO27276	CAPOCORDA FASTON 1.5-2.5 mm	FASTON TERMINAL 1.5-2.5mm	COSSE FASTON 1.5-2.5mm	3	
	TLO26590	VITE AUTOFORMANTE TRILOBATA M5 x 10	THREE-LOBE SELF. TAP. SCREW M5 x 10	VIS AUTOTARAUDANTE TRILOBEE M5 x 10	8	
	TLO25730	VITE AUTOFILETTANTE TRILOBATA M3 X 6	THREE-SECT. SELF.TAP. SCREW M3X6	VIS AUTO FILETANTE TRILOBEE M3X6	2	
	TLO54220	SPEZZONE DI CAVO UNIPOLARE G/V 2,5 mmq	UNIPOLAR WIRE Y/G 2.5 sqmm	CABLE UNIPOLAIRE J/V 2.5 mmc	7	
	TLZ21805	SUPPORTO AUTOADESIVO PER FASCETTE	CLAMP SELF-ADHESIVE SUPPORT	SUPPORT AUTOADHESIVE POUR BANDES	4	
	TLO24965	TAPPO IN PLASTICA PER FORO DIAM. 22mm	PLASTIC PLUG FOR HOLE DIAM. 22 mm	BOUCHON EN PLASTIQUE POUR TROU 22 mm	1	





## **Wayne Pignone**

### **Uffici Commerciali**

**MILANO (Italy)**  
via Martiri di Cefalonia 67  
20097 S. DONATO MILANESE (MI) - Italy  
Tel. (02) 5201  
Fax (2) 5207811

### **Stabilimento e Assistenza Tecnica**

**TALAMONA - Sondrio - (Italy)**  
via Roma 32  
23018 Talamona - Sondrio - Italy  
Tel. (0342) 608111 - Fax (0342) 608299

---

Far riferimento al sito Internet  
[www.wayne.com](http://www.wayne.com)

PER INFORMAZIONI COMMERCIALI RIVOLGERSI A:

DRESSER WAYNE PIGNONE  
Uff. DIST/SERV.

Tel. 0342 608111  
Fax. 0342 608299

PER ASSISTENZA TECNICA:  
Numero Verde: 800401477  
E-mail: [asstecnica.npd@coptron.com](mailto:asstecnica.npd@coptron.com)

#### **INFORMAZIONE**

Il nome e l'indirizzo della più vicina Ditta di manutenzione incaricata possono essere richiesti a:  
**DRESSER WAYNE PIGNONE - via Roma 32 - 23018 TALAMONA (Sondrio) - Italy - Tel (0342) 608.111 - Fax (0342) 608.299**

