



Wayne Pignone

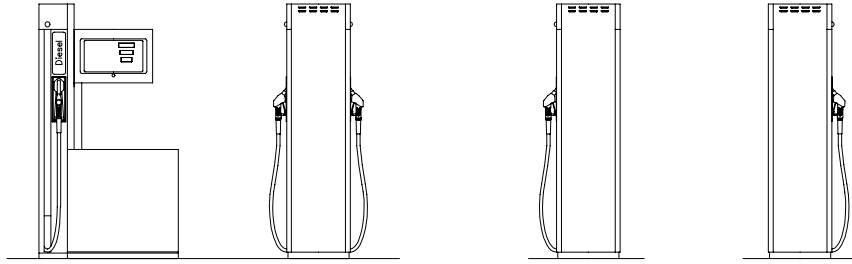
CATALOGO PARTI DI RICAMBIO
SPARE PARTS CATALOGUE
CATALOGUE DES PIÈCES DÉTACHÉES

DISTRIBUTORI
DISPENSERS
VOLUCOMPTEURS

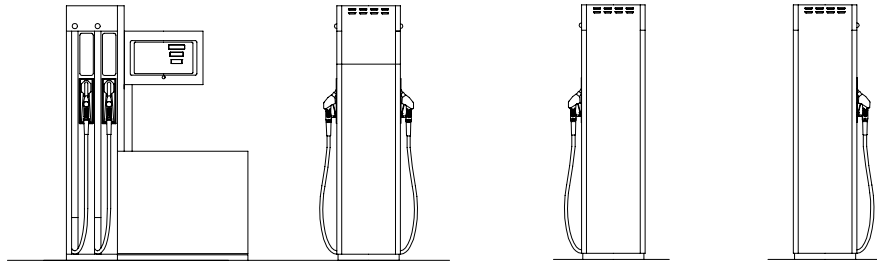
DPX-F - ATEX
DPX-F - ATEX
DPX-F - ATEX

INDICE / INDEX / INDEX

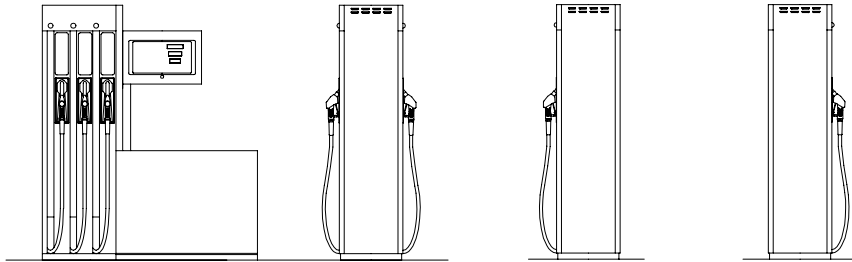
DPX-F 1001
DPX-F 1101-SX-DX
DPX-F 2202



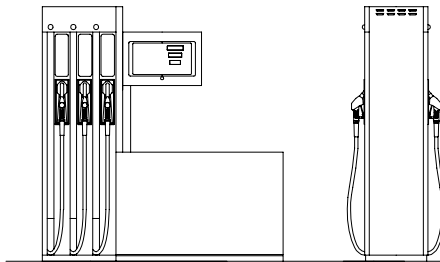
DPX-F 1202-SX/DX
DPX-F 2204
DPX-F 2304
DPX-F 2402



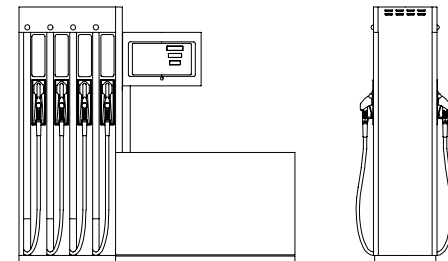
DPX-F 2306
DPX-F 1303-SX/DX



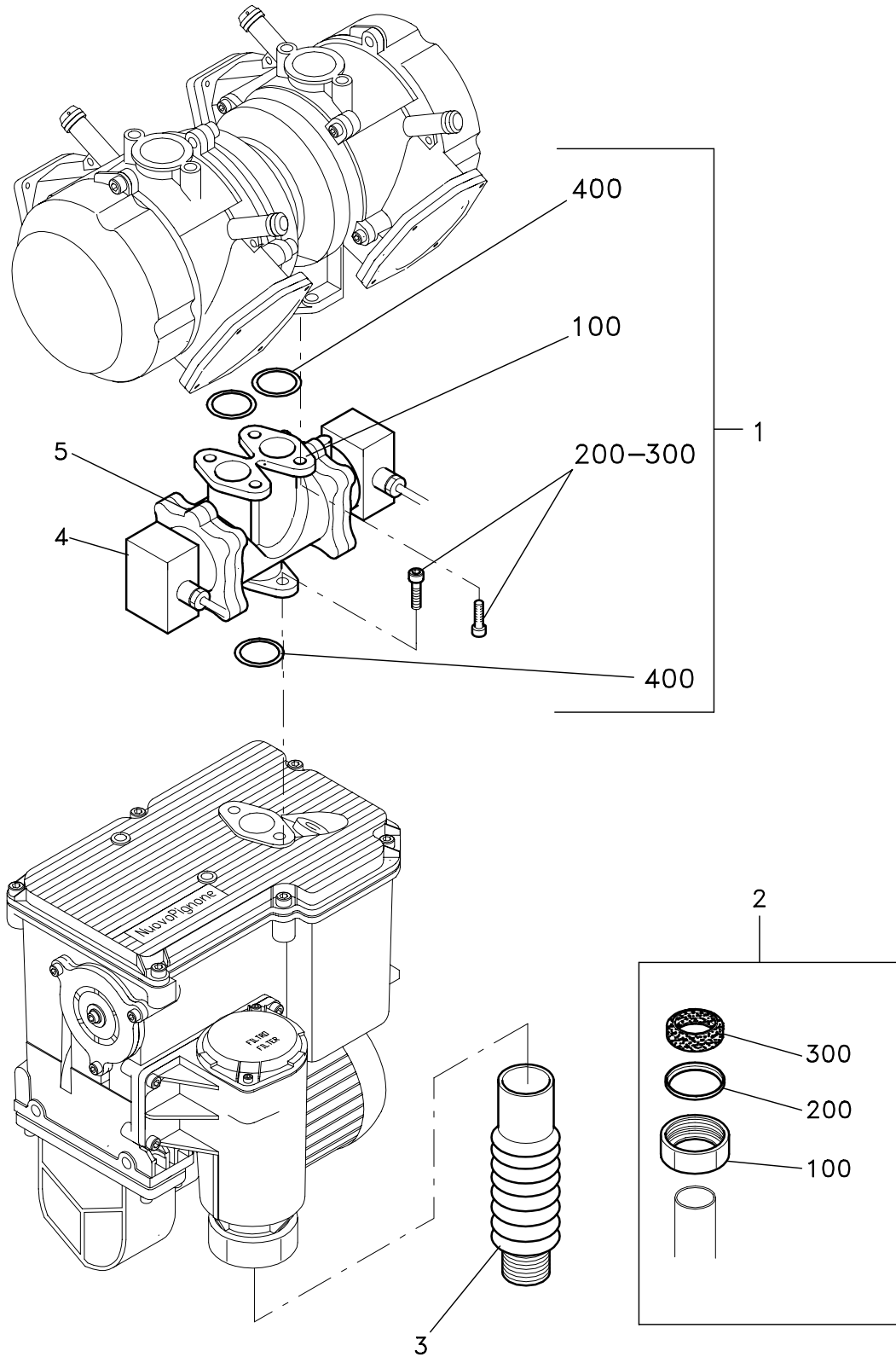
DPX-F 2406



DPX-F 2408
DPX-F 2508



Pos.	Cod. No.	Descrizione	Description	Description	N.	Note
1	TLO1393752	PART. CON E.V. ASCO 3VIE ALUBL.-AUTOSET	COMP.WSOL.VALVE ASCO 3WAY ALUBL-AUTOSE	COMP.AVEC EV.TASCO 3VOIES ALUBL-AUTOSET	3	■
.100	TLO25420	ELETTROVALVOLA ASCO 3 VIE 220V	SOLENOID VALVE ASCO 3 WAYS 220V	ELECTROVANNE ASCO 3 VOIES 220V	3	
.200	HCN100200050	VITE UNI5931 M10 X 20 - 8.8	SCREW UNI5931 M10 X 20 - 8.8	VIS UNI5931 M10 X 20 - 8.8	6	
.300	TLP45778	VITE UNI5931 M10 X 20 - 8.8 -TESTA FOR.	SCREW UNI5931 M10X20-8.8-DRILLED HEAD	VIS UNI5931 M10X20 - 8.8 - TETE PERCEE	12	
.400	KHA031303518	GUARNIZIONE TORICA D.I. 31,3X3,5	OR GASKET I.D. 31,3X3,5	JOINT TOROIDAL D.I. 31,3X3,5	9	
1	TLO1393771	PART.E.V.SIRAI-TRE VIE FLANGIATA *ATEX*	SIRAI SOL.VAL.COMP.-3WAY FLANGED *ATEX*	COMP. E.V. SIRAI 3 VOIES FLANGEE *ATEX*	1	■
.100	TLO28622	ELETTROVALVOLA SIRAI L389K02C + Z597U	SOL. VALVE SIRAI L389K02C + Z597U	ELECTROVANNE SIRAI L389K02C + Z597U	1	
.200	HCN100200050	VITE UNI5931 M10 X 20 - 8.8	SCREW UNI5931 M10 X 20 - 8.8	VIS UNI5931 M10 X 20 - 8.8	3	
.300	TLP45778	VITE UNI5931 M10 X 20 - 8.8 -TESTA FOR.	SCREW UNI5931 M10X20-8.8-DRILLED HEAD	VIS UNI5931 M10X20 - 8.8 - TETE PERCEE	3	
.400	KHA031303518	GUARNIZIONE TORICA D.I. 31,3X3,5	OR GASKET I.D. 31,3X3,5	JOINT TOROIDAL D.I. 31,3X3,5	3	
2	TLO1329900	PART.GHIERA FILTRO ALUBLOCK DA ALLEGARE	ALUBLOCK FILTER RING NUT COMPONENTS	COMPOSANTS FRETTE FILTRE ALUBLOCK	3	■
.100	TLV43680	GHIERA FILTRO M64X2	FILTER RING NUT M64X2	EMBOUT FILTRE M64X2	3	
.200	TLP43681	PREMIGUARNIZIONE	GLAND	PRESSE-JOINT	3	
.300	TLZ43682	GUARNIZIONE PER GHIERA FILTRO	GASKET FOR FILTER RING NUT	JOINT POUR COLLIER FILTRE	3	
3	TLO56686	TRONCHETTO FLESSIBILE DI ASPIRAZIONE	SUCTION FLEXIBLE SECTION	TRONCON FLEXIBLE D'ASPIRATION	3	
4	TLO26562	BOBINA ELETTROVALVOLE SIRAI tipo Z597U	COIL FOR SIRAI SOL. VALVES type Z597U	BOBINE POUR ELECTROV. SIRAI type Z597U	2	■
5	TLO27444	KIT MEMBRANA+MOLLA E.V. SIRAI 3 VIE	SIRAI SOL.VALVE DIAPHRAGM+SPRING KIT	SIRAI SOL.VALVE DIAPHRAGM+SPRING KIT	2	■
		■ materiali non fornibili assiemati	■ not available assembled spare parts	■ composants non disponibles assemblés		



Pos.	Cod. No.	Descrizione	Description	Description	N.	Note
1	TLO1393751	PART.CON E.V.*ASCO* SING. ALUBL-AUTOSET	COMP WITH S.V.*ASCO*SING.ALUBL-AU TOSET	COMP.AVEC E.V.*ASCO*SIMP.ALUBL-AU TOSET	1	■
.100	TLO25399	ELETTROVALVOLA ASCO 1" 2 VIE 220V	SOLENOID VALVE ASCO 1" 2 WAYS 220V	ELECTROVANNE ASCO 1" 2 VOIES 220V	1	
.200	HCN100200050	VITE UNI5931 M10 X 20 - 8.8	SCREW UNI5931 M10 X 20 - 8.8	VIS UNI5931 M10 X 20 - 8.8	2	
.300	TLP45778	VITE UNI5931 M10 X 20 - 8.8 -TESTA FOR.	SCREW UNI5931 M10X20-8.8-DRILLED HEAD	VIS UNI5931 M10X20 - 8.8 - TETE PERCEE	2	
.400	KHA031303518	GUARNIZIONE TORICA D.I. 31,3X3,5	OR GASKET I.D. 31,3X3,5	JOINT TOROIDAL D.I. 31,3X3,5	2	
1	TLO1393765	E.V.SIRAI SINGOLA ALUBL.-AUTOSET *ATEX*	SINGLE SIRAI ALUBLOCK-AUTOSET *ATEX*	E.V. SIRAI SINGLE ALUBL.-AUTOSET *ATEX*	1	■
.100	TLO28621	ELETTROVALVOLA SIRAI L189K02 + Z597U	SOL. VALVE SIRAI L189K02 + Z597U	ELECTROVANNE SIRAI L189K02 + Z597U	1	
.200	HCN100200050	VITE UNI5931 M10 X 20 - 8.8	SCREW UNI5931 M10 X 20 - 8.8	VIS UNI5931 M10 X 20 - 8.8	2	
.300	TLP45778	VITE UNI5931 M10 X 20 - 8.8 -TESTA FOR.	SCREW UNI5931 M10X20-8.8-DRILLED HEAD	VIS UNI5931 M10X20 - 8.8 - TETE PERCEE	2	
.400	KHA031303518	GUARNIZIONE TORICA D.I. 31,3X3,5	OR GASKET I.D. 31,3X3,5	JOINT TOROIDAL D.I. 31,3X3,5	2	
2	TLO1447180	DISTANZIALE H=50 PER E.VALV. O MISURAT.	SPACER H=50 SOL. VALVE OR MES. METER	ENTRETOISE H=50 POUR E.V. OU MESUR.	1	■
.100	TLO56894	TUBO FLANGIATO H=50	FLANGED PIPE H=50	TUYAU FLANGE H=50	1	
.200	KHA031003018	GUARNIZIONE TORICA D.I.31X3	OR GASKET I.D. 31X3	JOINT TOROIDAL D.I. 31X3	1	
.300	HCN100200050	VITE UNI5931 M10 X 20 - 8.8	SCREW UNI5931 M10 X 20 - 8.8	VIS UNI5931 M10 X 20 - 8.8	2	
.400	HCN100250110	VITE M10X25 UNI5931 8.8 UNI3740	SCREW M10X25 ITN32400 8.8 UNI3740	VIS M10X25 ITN32400 8.8 UNI3740	2	
.500	FFF140100050	DADO ISO4032 - M10 - 6	NUT ISO4032 - M10 - 6	ECROU ISO4032 - M10 - 6	2	
3	TLO1447181	COLLETTORE FILTROBLOCK Y 90L COMPLETO	COLLECTOR, FILTROBLOCK Y 90L ASSY	COLLECTEUR FILTROBLOCK Y 90L ASSEMBLE	1	■
.100	TLO1447320	COLLETTORE FILTRO ANTI-ACQUA CON TAPPI	ANTI-WATER FILTER COLLECTOR WITH PLUGS	COLLECTEUR FILTRE ANTI EAU AVEC BOUCHON	1	
.200	KHA031303518	GUARNIZIONE TORICA D.I. 31,3X3,5	OR GASKET I.D. 31,3X3,5	JOINT TOROIDAL D.I. 31,3X3,5	1	
.400	HCN100250110	VITE M10X25 UNI5931 8.8 UNI3740	SCREW M10X25 ITN32400 8.8 UNI3740	VIS M10X25 ITN32400 8.8 UNI3740	2	
.500	FFF140100050	DADO ISO4032 - M10 - 6	NUT ISO4032 - M10 - 6	ECROU ISO4032 - M10 - 6	2	
4	TLO26562	BOBINA ELETTROVALVOLE SIRAI tipo Z597U	COIL FOR SIRAI SOL. VALVES type Z597U	BOBINE POUR ELECTROV. SIRAI type Z597U	1	
5	TLO27444	KIT MEMBRANA+MOLLA E.V. SIRAI 3 VIE	SIRAI SOL.VALVE DIAPHRAGM+SPRING KIT	SIRAI SOL.VALVE DIAPHRAGM+SPRING KIT	1	

■ materiali non fornibili
assiemati

■ not available assembled
spare parts

■ composants non
disponibles assemblés

