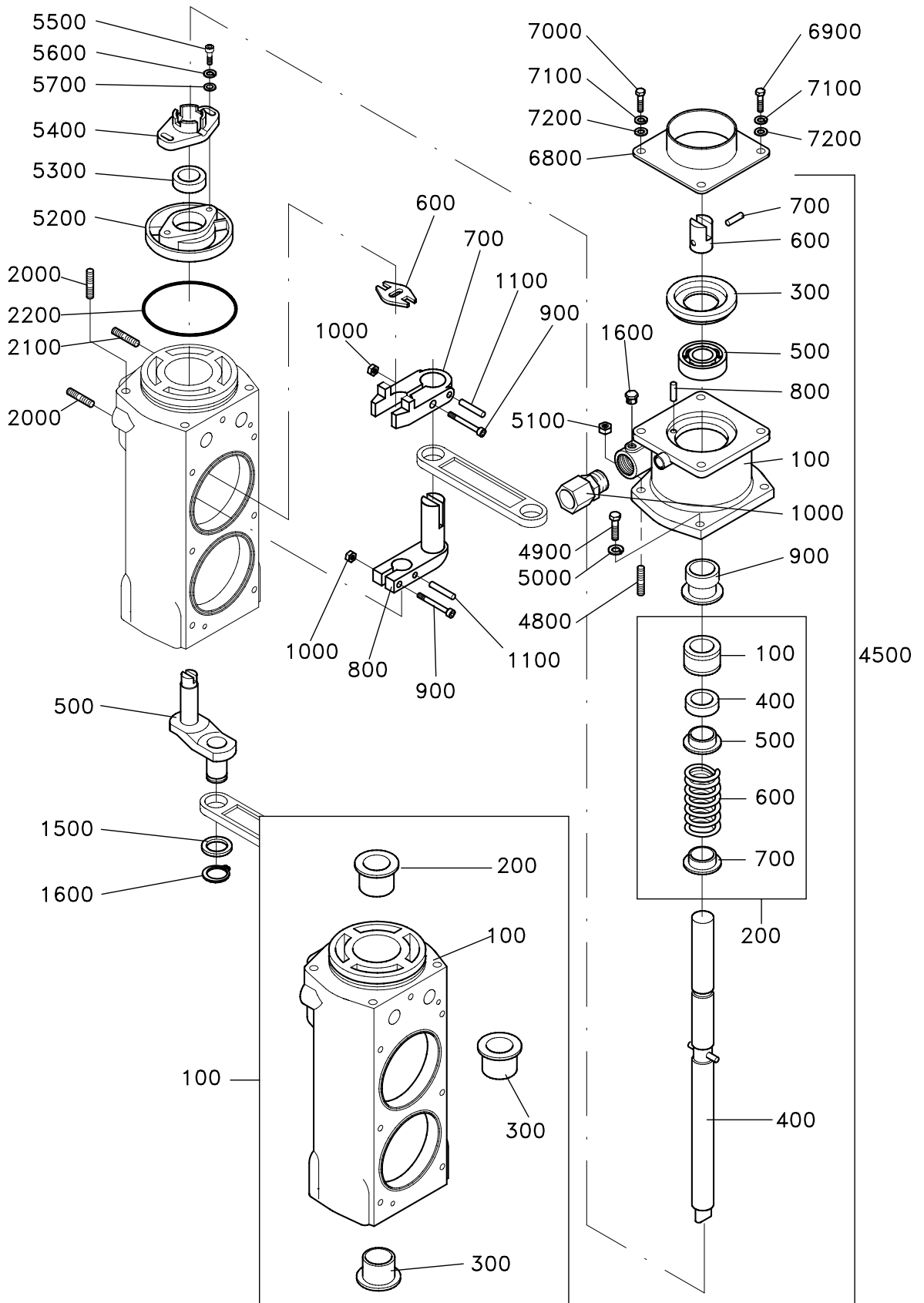
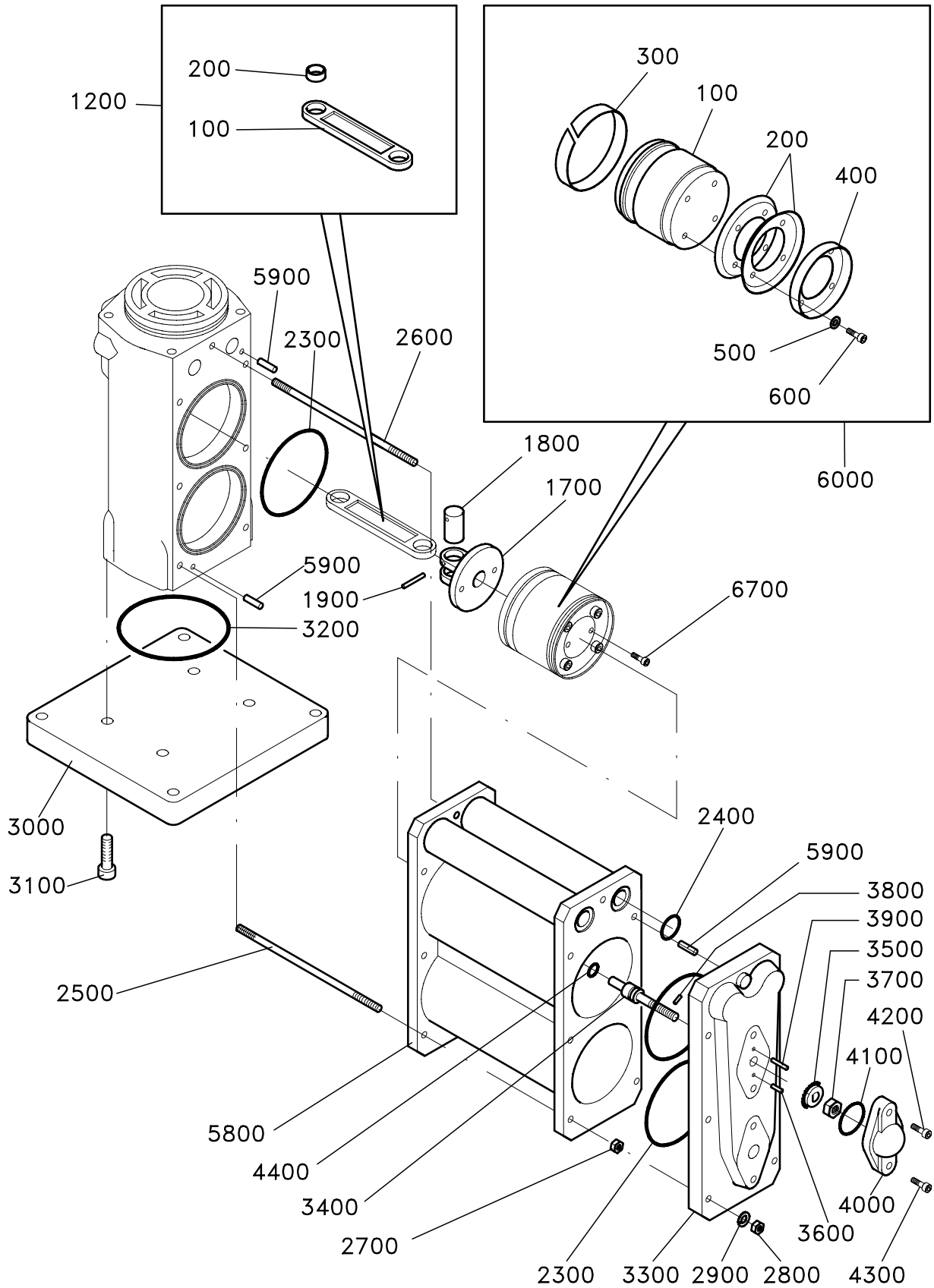


NuovoPignone		MISURATORE VOLUME METER MESUREUR VOLUMETRIQUE		TOL 07460		
				PAG. 1/3	ED. 09/99	REV. 00
Pos.	Cod. No.	Descrizione	Description	Description	N.	Note
	TLO1254404	ASSIEME MISURATORE	METER BODY ASSY	ENSEMBLE MESUREUR	1	
	TLO1254405	ASSIEME MISURATORE (BASSA TEMPERATURA)	METER BODY ASSY (LOW TEMPERATURE)	ENSEMBLE MESUREUR (BASSE TEMPERATURE)	1	
.100	TLN38261	CORPO MISURATORE GPL CON BUSSOLE	LPG METER BODY WITH BUSHES	CORPS MESUREUR GPL AVEC DOUILLES	1	
.100	TLM38172	CORPO PRINCIPALE MISURATORE GPL	LPG METER BODY	CORPS PRINCIPAL GPL MESUREUR	1	
.200	TBZ01905	BUSSOLA	BUSHING	DOUILLE	1	
.300	TBZ01906	BUSSOLA	BUSHING	DOUILLE	2	
.500	TAR07104	ALBERO A GOMITO	CRANKSHAFT	VILEBREQUIN	1	
.600	TAR07111	RONDELLA INTAGLIATA	WASHER WITH NOTCHES	RONDELLE DECOUPEE		
.700	TAT07110	MORSETTO DELL'ALBERO	CLAMP OF THE SHAFT	ETAU D'ARBRE	1	
.800	TAR07105	BRACCIO DELLA MANOVELLA	ARM	BRAS DE MANIVELLE	1	
.900	HCN060350110	VITE M6X35 UNI5931 8.8 UNI3740	SCREW M6X35 UNI5931 8.8 UNI3740	VIS M6X35 UNI5931 8.8 UNI3740	2	
.1000	FFF140060110	DADO M6 UNI5587-88-89/4 6S UNI3740	NUT M6 UNI5587-88-89/4 6S UNI3740	ECROU M6 UNI5587-88-89/4 6S UNI3740	2	
.1100	FJA040300050	PERNO 4M6X30 UNI1707 FE60 UNI7230	PIN 4M6X30 UNI1707 FE60 UNI7230	PIVOT 4M6X30 UNI1707 FE60 UNI7230	2	
.1200	TLO10843	ASSIEME BIELLA	CRANK ASSY	ENSEMBLE BIELLE	2	
.100	TLT34219	BIELLA	CRANK	BIELLE	1	
.200	TBZ01907	BUSSOLA	BUSHING	DOUILLE	1	■
.1500	TAR07107	RONDELLA	WASHER	RONDELLE	1	■
.1600	KKC00012	ANELLO ELASTICO DN 12 UNI7434	ELASTIC RING DN 12 UNI7434	ANNEAU ELASTIQUE DN 12 UNI7434	1	
.1700	TAM07108	SUPPORTO	SUPPORT	SUPPORT DE PISTON	2	
.1800	TAR07109	SPINOTTO	GUDGEON	AXE DE PISTON	2	
.1900	FDA300350040	COPIGLIA 3X35 UNI1336 FE37B	COTTER PIN 3X35 UNI1336 FE37B	GOUPILLE 3X35 UNI1336 FE37B	2	
.2000	TLP33921	PRIGIONIERO M10X30 UNI5909 8.8 UNI3740	STUD M10X30 UNI5909 8.8 UNI3740	GOUJON M10X30 UNI5909 8.8 UNI3740	1	
.2100	GAR100300110	PRIGIONIERO M10X25 UNI5909 8.8 UNI3740	STUD M10X25 UNI5909 8.8 UNI3740	GOUJON M10X30 UNI5909 8.8 UNI3740	1	
.2200	KHA082103518	GUARNIZIONE TORICA D.I. 82,14X3,53	OR GASKET I.D. 82,14X3,53	JOINT TORIQUE D.I. 82,14X3,53	1	
.2200	TLZ21386	GUARNIZIONE TORICA D.I. 82,14X3,53 (BASSA TEMPERATURA)	OR GASKET I.D. 82,14X3,53 (LOW TEMPERATURE)	JOINT TORIQUE D.I. 82,14X3,53 (BASSE TEMPERATURE)	1	
.2300	TAZ07113	GUARNIZIONE	GASKET	JOINT	4	
.2300	TLZ21387	GUARNIZIONE (BASSA TEMPERATURA)	GASKET (LOW TEMPERATURE)	JOINT (BASSE TEMPERATURE)	4	
.2400	TAZ00138	GUARNIZIONE TOROIDALE	OR GASKET	JOINT TOROIDAL	4	
.2400	TLZ21388	GUARNIZIONE (BASSA TEMPERATURA)	GASKET (LOW TEMPERATURE)	JOINT TOROIDAL (BASSE TEMPERATURE)	4	
.2500	TLQ38257	PRIGIONIERO PER MISURATORE GPL	STUD BOLT FOR LPG METER	GOUJON MESUREUR GPL	1	
.2600	TLQ38258	PRIGIONIERO CON FORO	STUD BOLT WITH HOLE	GOUJON AVEC TROU	6	
.2700	TLQ38259	DADO CON INTAGLIO M10	NUT WITH CARVING M10	ECROU AVEC DECOUPE M10	7	
.2800	FFF140100110	DADO M10 UNI5587-88-89/4 6S UNI3740	NUT M10 UNI5587-88-89/4 6S UNI3740	ECROU M10 UNI5587-88-89/4 6S UNI3740	7	
.2900	FNP031050110	ROSETTA 10,5 UNI1751 C70 UNI3545	WASHER10,5 UNI1751 C70 UNI3545	RONDELLE 10,5 UNI1751 C70 UNI3545	7	
.3000	TLN40897	PIASTRA PER MISURATORE GPL FINITA	ENDED PLATE FOR LPG METER	PLAQUE POUR MESUREUR GPL FINIE	1	
.3100	HCN100200110	VITE M10X20 UNI5931 8.8 UNI3740	SCREW M10X20 UNI5931 8.8 UNI3740	VIS M10X20 UNI5931 8.8 UNI3740	4	
.3200	TAZ07135	GUARNIZIONE	GASKET	JOINT	1	
.3200	TLZ21389	GUARNIZIONE (BASSA TEMPERATURA)	GASKET (LOW TEMPERATURE)	JOINT (BASSE TEMPERATURE)	1	
.3300	TLN38234	COPERCHIO MISURATORE GPL	LPG METER COVER	COUVERCLE MESUREUR GPL	1	
.3400	TLR38289	PERNO DI REGOLAZIONE	ADJUSTING PIN	TIGE DE REGLAGE	2	
.3500	TLV35785	ROSETTA DI REGOLAZIONE	ADJUSTING WASHER	RONDELLE DE REGLAGE	2	
.3600	FPD030080040	SPINA 3X8 UNI6873 ACCIAIO PER MOLLE	PIN 3X8 UNI6873 SPRING STEEL	CHEVILLE 3X8 UNI6873 ACIER POUR RESS.	2	
.3700	FFG75010	DADO M10 UNI5587-88-89/5 PCUZN40 UNI4891	NUT M10 UNI5587-88-89/5 PCUZN40 UNI4891	ECROU M10 UNI5587- 88-89/5 PCUZN40 UNI4891	2	
.3800	FPD020120040	SPINA 2X12 UNI6873 ACCIAIO PER MOLLE	PIN 2X12 UNI6873 SPRING STEEL	CHEVILLE 2X12 UNI6873 ACIER POUR RESS.	2	



NuovoPignone		MISURATORE VOLUME METER MESUREUR VOLUMETRIQUE		TOL 07460		
				PAG. 2/3	ED. 09/99	REV. 00
Pos.	Cod. No.	Descrizione	Description	Description	N.	Note
.3900	FPD030120040	SPINA 3X12 UNI6873 ACCIAIO PER MOLLE	PIN 3X12 UNI6873 SPRING STEEL	CHEVILLE 3X12 UNI6873 ACIER POUR RESS.	2	
.4000	TAS07125	COPERCHIETTO	CAP	COUVERCLE	2	
.4100	TAZ07124	GUARNIZIONE	GASKET	JOINT	2	
.4100	TLZ21390	GUARNIZIONE (BASSA TEMPERATURA)	GASKET (LOW TEMPERATURE)	JOINT (BASSE TEMPERATURE)	2	
.4200	TAP07126	VITE CILINDRICA TESTA FORATA	DRILLED CIL. SCREW	VIS CYLINDRIQUE A TETE PERCEE	2	
.4300	HAG060140110	VITE M6X14 UNI6107 4.8 UNI3740	SCREW M6X14 UNI6107 4.8 UNI3740	VIS M6X14 UNI6107 4.8 UNI3740	2	
.4400	TLZ21212	GUARNIZIONE TOROIDALE D.I. 8,74 X 1,78	OR GASKET I.D. 8,74 X 1,78	JOINT TORIQUE D.I 8.74 X 1.78	2	
.4400	TLZ21391	GUARNIZIONE TOROIDALE D.I. 8,74 X 1,78 (BASSA TEMPERATURA)	OR GASKET I.D. 8,74 X 1,78 (LOW TEMPERATURE)	JOINT TORIQUE D.I 8.74 X 1.78 (BASSE TEMPERATURE)	2	
.4500	TLO1238410	ASS. ALLOGGIO CASSETTO LUNGO NPT	HOUSING ASSY	ENS.LOGEMENT TIROIR (LONG ATTELAGE NPT)	1	
.100	TLN39252	ALLOGGIO CASSETTO MISURATORE GPL	HOUSING FOR LPG METER BOX	LOGEMENT TIROIR (LONG ATTELAGE NPT)	1	
.200	TLO1094800	PACCO PREMISTOPPA PER MISURATORE	STUFFING BOX	PRESSE ETOUPE MESUREUR	1	
.100	TLO45313	ASSIEME PREMISTOPPA	STUFFING BOX ASSY	ENS. PRESSE ETOUPE	1	
.400	TLZ21392	GUARNIZIONE PER STELO	GASKET FOR RODS	JOINT POUR TIGE	1	
.500	TLV45947	ANELLO PER PREMISTOPPA GPL	RING FOR STUFFING BOX LPG	ANNEAU POUR PRESSE ETOUPE GPL	1	
.600	TLR38462	MOLLA	SPRING	RESSORT	1	
.700	TAQ07130	RONDELLA CON INTAGLI	WASHER WITH NOTCHES	RONDELLE AVEC CRENEAUX	1	
.300	TLS32144	SUPPORTO CUSCINETTO	BEARING SUPPORT	SUPPORT POUR ROULEMENT	1	
.400	TLR35638	ASS. ALBERO CASSETTO-SPINA	SHAFT ASSY HOUSING PIN	ENS. ARBRE TIROIR-AXE	1	
.500	KTP00010	CUSCINETTO TIPO 6200	BEARING TYPE 6200	ROULEMENT TYPE 6200	1	
.600	TLP32368	BOCCOLA PER MISURATORE	BUSH FOR METER	DOUILLE POUR MESUREUR	1	
.700	FPD030200050	SPINA 3X20 UNI6873 ACCIAIO PER MOLLE	PIN 3X20 UNI6873 SPRING STEEL	EPINE 3X20 UNI6873 ACIER POUR RESSORT	1	
.800	FPD020120040	SPINA 2X12 UNI6873 ACCIAIO PER MOLLE	PIN 2X12 UNI6873 SPRING STEEL	EPINE 2X12 UNI6873 ACIER POUR RESSORT	1	
.900	TLN41592	BOCCOLA	BUSH	DOUILLE	1	
.1000	TLO21379	RACCORDO DIRITTO 3/4"NPT DN22	STRIGHT FITTING 3/4"NPT DN22	RACCORD DROIT 3/4" NPT DN22	1	
.1600	TLZ27274	TAPPO	PLUG	BOUCHON	1	
.4800	TLP33921	PRIGIONIERO M10X30 UNI5909 8.8 UNI3740	STUD BOLT M10X30 UNI5909 8.8 UNI3740	GOUJON M10X30 UNI5909 8.8 UNI3740	1	
.4900	GJE100300110	VITE M10X30 UNI5739-40 8.8 UNI3740	SCREW M10X30 UNI5739-40 8.8 UNI3740	VIS M10X30 UNI5739-40 8.8 UNI3740	3	
.5000	FNP031050070	ROSETTA 10,5 UNI1751 C70 UNI3545	WASHER 10,5 UNI1751 C70 UNI3545	RONDELLE 10,5 UNI1751 C70 UNI3545	4	
.5100	FFF140100110	DADO M10 UNI5587-88-89/4 6S UNI3740	NUT M10 UNI5587-88-89/4 6S UNI3740	ECROU M10 UNI5587-88-89/4 6S UNI3740	1	
.5200	TLM30357	CASSETTO DI DISTRIBUZIONE	DISTRIBUTING HOUSING	TIROIR DE DISTRIBUTION	1	
.5300	TLZ21392	GUARNIZIONE PER STELI	GASKET FOR RODS	JOINT POUR TIGES	1	
.5400	TLT45952	FLANGIA A INTAGLI	CARVING FLANGE	BRIDE A CRENEAUX	1	
.5500	HAG040120110	VITE M4X12 UNI6107 4.8 UNI3740	SCREW M4X12 UNI6107 4.8 UNI3740	VIS M4X12 UNI6107 4.8 UNI3740	2	
.5600	FNP030430110	ROSETTA 4,3 UNI1751 C70 UNI3545	WASHER 4,3 UNI1751 C70 UNI3545	RONDELLE 4.3 UNI1751 C70 UNI3545	2	
.5700	FNC010430110	ROSETTA 4,3 UNI6592 R40P UNI6602	WASHER 4,3 UNI6592 R40P UNI6602	RONDELLE 4,3 UNI6592 R40P UNI6602	2	
.5800	TLN38232	MONOBLOCCO MISURATORE GPL	LPG METER SINGLEBLOCK	MONOBLOC MESUREUR GPL	1	
.5900	FJA040120110	PERNO 4M6X12 UNI1707 FE60 UNI7230	PIN 4M6X12 UNI1707 FE60 UNI7230	PIVOT 4M6X12 UNI1707 FE60 UNI7230	4	
.6000	TLO37884	ASSIEME PISTONE PER G.P.L.	PISTON ASSY	ENSEMBLE PISTON G.P.L.	2	
.100	TLS37879	CORPO PISTONE	PISTON BODY	CORPS DE PISTON (FINI)	1	
.200	TLZ37881	GUARNIZIONE DI TENUTA	SEALING GASKET	JOINT D'ETANCHEITE	2	
.300	TLZ37882	GUARNIZIONE DI SCORRIMENTO	SLIDING GASKET	JOINT	1	



NuovoPignone**MISURATORE**
VOLUME METER
MESUREUR VOLUMETRIQUE**TOL 07460**PAG. ED. REV.
3/3 09/99 00

Pos.	Cod. No.	Descrizione	Description	Description	N.	Note
. . 400	TLR37883	PIATTELLO	PLATE	CUVETTE	1	
. . 500	FNP030430040	ROSETTA 4,3 INT34551 C70 UNI3545	WASHER4,3 INT34551 C70 UNI3545	RONDELLE 4,3 UNI1751 C70 UNI3545	4	
. . 600	HCN040120110	VITE M4X12 UNI5931 8.8 UNI3740	SCREW M4X12 UNI5931 8.8 UNI3740	VIS M4X12 UNI5931 8.8 UNI3740	4	
. 6700	HCN080160110	VITE M8X16 UNI5931 8.8 UNI3740	SCREW M8X16 UNI5931 8.8 UNI3740	VIS M8X16 UNI5931 8.8 UNI3740	4	
. 6800	TLM32366	PIASTRA DI TENUTA	SEALING PLATE	COUVERCLE	1	
. 6900	GJE060200110	VITE M6X20 UNI5739-40 8.8 UNI3740	SCREW M6X20 UNI5739-40 8.8 UNI3740	VIS M6X20 UNI5739-40 8.8 UNI3740	2	
. 7000	TLP34195	VITE M6X20 UNI5739-40	SCREW M6X20 UNI5739-40	VIS M6X20 UNI5739-40	2	
. 7100	FNP030670110	ROSETTA 6,7 UNI 1751 C70 UNI3545	WASHER 6,7 UNI 1751 C70 UNI3545	RONDELLE 6,7 UNI 1751 C70 UNI3545	4	
. 7200	FNC010670110	ROSETTA 6,7 UNI6592 R40P UNI6602	WASHER 6,7 UNI6592 R40P UNI6602	RONDELLE 6,7 UNI6592 R40P UNI6602	4	
		■ materiali non fornibili	■ not available spare parts	■ composants non disponibles		

