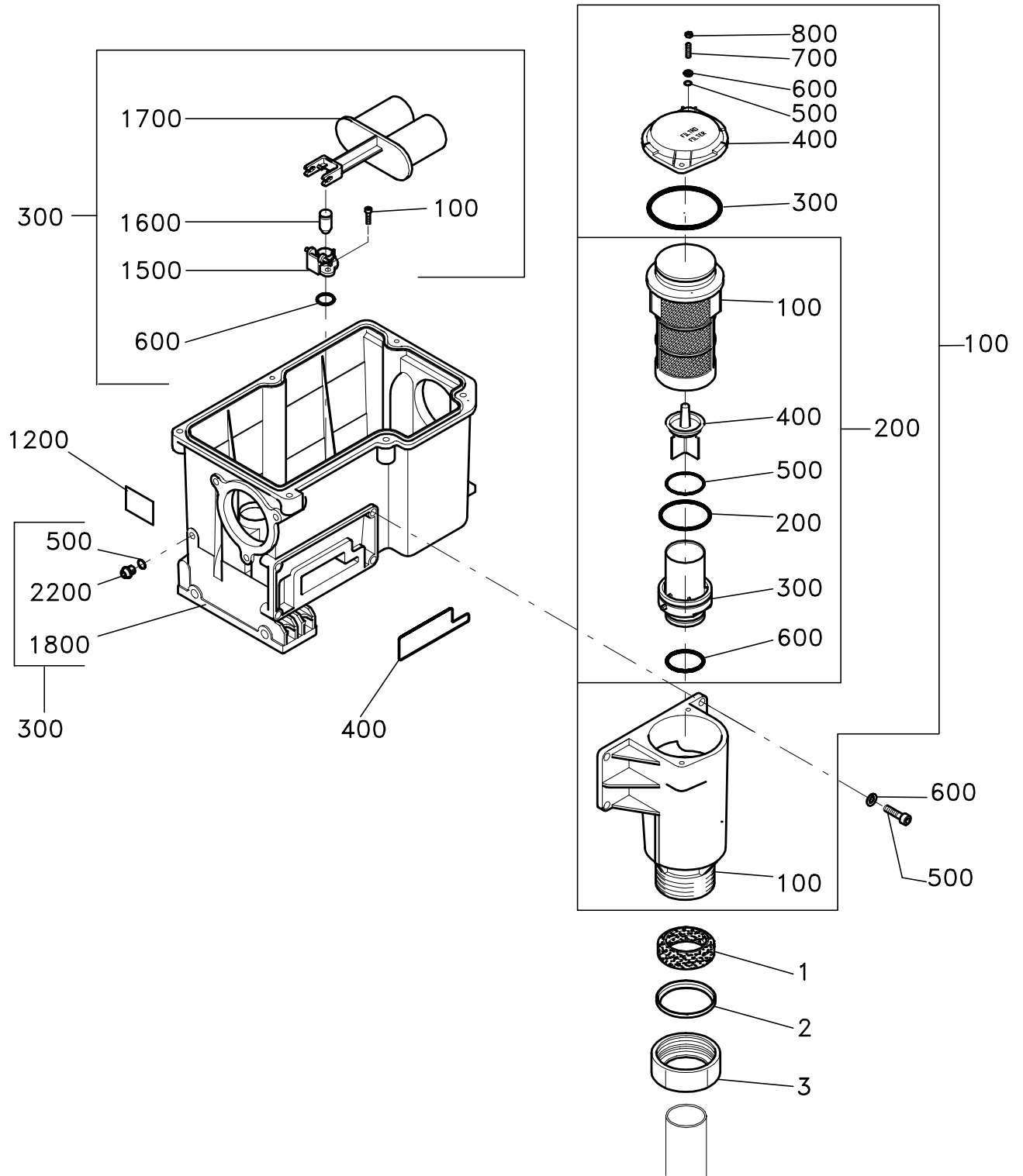
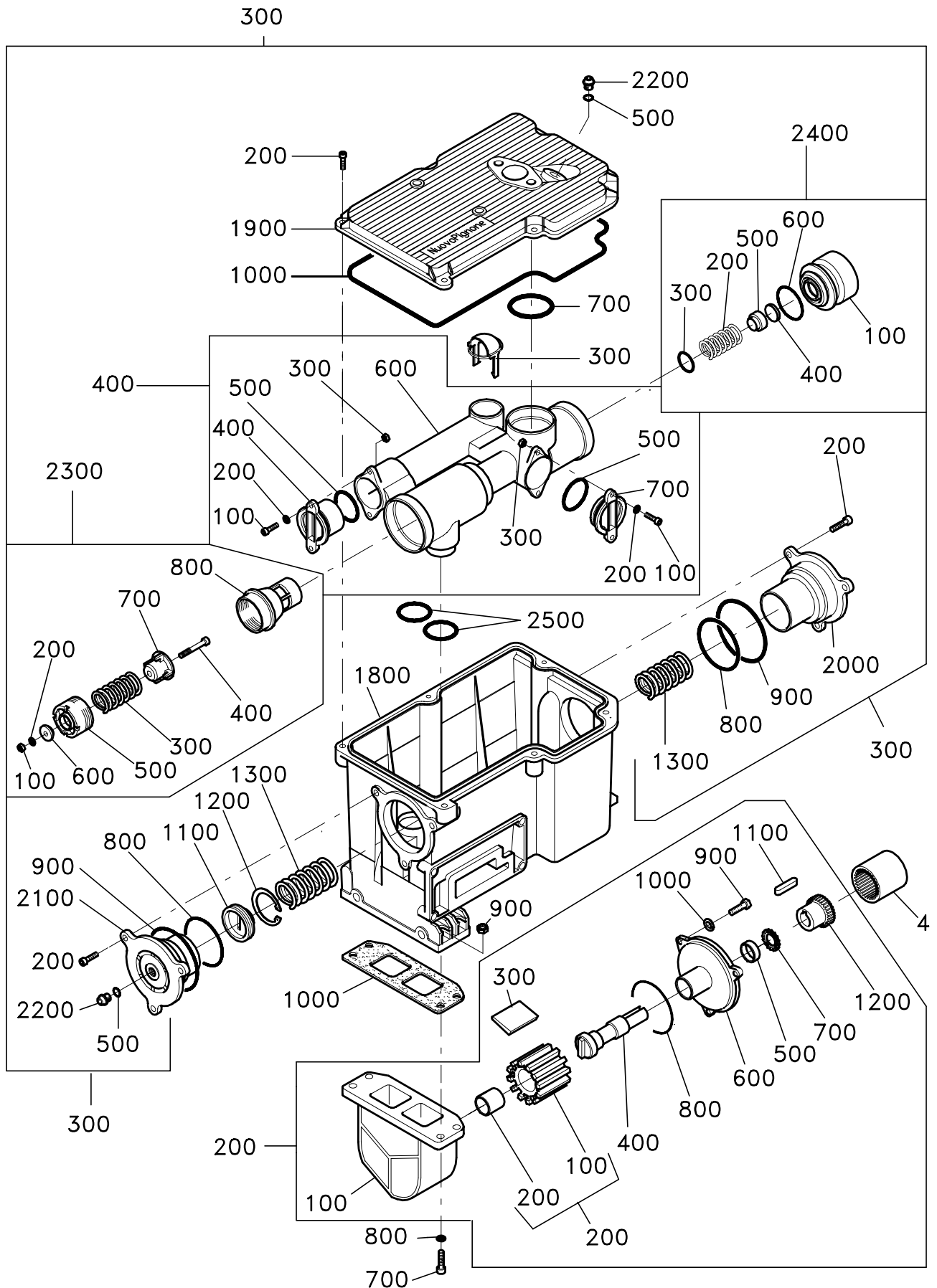


NuovoPignone		GRUPPO DI POMPAGGIO ALUBLOCK 2000 GROUPE DE POMPAGE ALUBLOCK 2000 ALUBLOCK 2000 PUMPING SET			TOL 09015		
					PAG. 1/3	ED. 07/00	REV. 00
Pos.	Cod. No.	Descrizione	Description	Description	N.	Note	
.	TLO1329101	GRUPPO DI POMPAGGIO 50L. (BASSA TEMPERATURA)	GROUPE DE POMPAGE 50L. (BASSE TEMPERATURE)	PUMPING SET 50L. (LOW TEMPERATURE)	1		
.	TLO1329102	GRUPPO DI POMPAGGIO 50L. (STANDARD)	GROUPE DE POMPAGE 50L. (STANDARD)	PUMPING SET 50L. (STANDARD)	1		
.	TLO1329201	GRUPPO DI POMPAGGIO 90L. (BASSA TEMPERATURA)	GROUPE DE POMPAGE 90L. (BASSE TEMPERATURE)	PUMPING SET 90L. (LOW TEMPERATURE)	1		
.	TLO1329202	GRUPPO DI POMPAGGIO 90L. (STANDARD)	GROUPE DE POMPAGE 90L. (STANDARD)	PUMPING SET 90L. (STANDARD)	1		
100	TLO1329701	ASSIEME FILTRO ALUBLOCK (BASSA TEMPERATURA)	ENSEMBLE FILTRE ALUBLOCK (BASSE TEMPERATURE)	ALUBLOCK FILTER ASSY. (LOW TEMPERATURE)	1		
100	TLO1329700	ASSIEME FILTRO ALUBLOCK (STANDARD)	ENSEMBLE FILTRE ALUBLOCK (STANDARD)	ALUBLOCK FILTER ASSY. (STANDARD)	1		
.100	TLS43684	CORPO FILTRO	CORPS DU FILTRE	FILTER BODY	1		
.200	TLO57725	ASSIEME CARTUCCIA FILTRO (BASSA TEMPERATURA)	ENSEMBLE CARTOUCHE FILTRE (BASSE TEMPERATURE)	FILTER CARTRIDGE ASSY (LOW TEMPERATURE)	1		
.200	TLO43729	ASSIEME CARTUCCIA FILTRO (STANDARD)	ENSEMBLE CARTOUCHE FILTRE (STANDARD)	FILTER CARTRIDGE ASSY (STANDARD)	1		
. .100	TLZ43687	FILTRO	FILTRE	FILTER	1		
. .200	KHA059902632	O-RING (BASSA TEMPERATURA)	JOINT TORIQUE (BASSE TEMPERATURE)	O-RING (LOW TEMPERATURE)	1		
. .200	KHA059902601	GUARNIZIONE TORICA	JOINT TORIQUE	GASKET	1		
. .300	TLZ43685	SEDE VALVOLA FILTRO	LOGEMENT SOUPAPE DE FILTRE	FILTER VALVE SET	1		
. .400	TLS43738	VALVOLA DI FONDO	SOUPAPE DE PIED	STANDING VALVE	1		
. .500	KHA032903532	O-RING (BASSA TEMPERATURA)	JOINT TORIQUE (BASSE TEMPERATURE)	O-RING (LOW TEMPERATURE)	1		
. .600	KHA042502601	GUARNIZIONE TORICA	JOINT TORIQUE	GASKET	1		
. .600	KHA042502632	O-RING (BASSA TEMPERATURA)	JOINT TORIQUE (BASSE TEMPERATURE)	O-RING (LOW TEMPERATURE)	1		
.300	KHA078903532	O-RING (BASSA TEMPERATURA)	JOINT TORIQUE (BASSE TEMPERATURE)	O-RING (LOW TEMPERATURE)	1		
.300	KHA078903501	GUARNIZIONE TORICA	JOINT TORIQUE	GASKET	1		
.400	TLS43690	COPERCHIO FILTRO	COUVERCLE FILTRE	FILTER COVER	1		
.500	FNC01670050	ROSETTA 6.7 UNI6592	RONDELLE 6.7 UNI6592	WASHER 6.7 UNI6592	2		
.600	FNP030670050	ROSETTA 6.7 UNI1751	RONDELLE 6.7 UNI1751	WASHER 6.7 UNI1751	2		
.700	TLQ57628	PRIGIONIERO M6X35 UNI3740	VIS PRISONNIERE M6X35 UNI3740	STUD BOLT M6X35 UNI3740	2		
.800	FFF1400600050	DADO M6 UNI5588	ECROU M6 UNI5588	NUT M6 UNI5588	2		
200	TLO1329501	ASSIEME POMPA 50L. (BASSA TEMPERATURA)	ENSEMBLE POMPE 50L. (BASSE TEMPERATURE)	PUMP ASSY 50L. (LOW TEMPERATURE)	1		
200	TLO1329500	ASSIEME POMPA 50L. (STANDARD)	ENSEMBLE POMPE 50L. (STANDARD)	PUMP ASSY 50L. (STANDARD)	1		
200	TLO1329601	ASSIEME POMPA 90L. (BASSA TEMPERATURA)	ENSEMBLE POMPE 90L. (BASSE TEMPERATURE)	PUMP ASSY 90L. (LOW TEMPERATURE)	1		
200	TLO1329601	ASSIEME POMPA 90L. (STANDARD)	ENSEMBLE POMPE 90L. (STANDARD)	PUMP ASSY 90L. (STANDARD)	1		
.100	TLM43692	CORPO POMPA 50L.	CORPS POMPE 50L.	PUMP BODY 50L.	1		
.100	TLM43693	CORPO POMPA 90L.	CORPOS POMPE 90L.	PUMP BODY 90L.	1		
.200	TLO49503	ASSIEME ROTORE	ENSEMBLE ROTOR	ROTOR ASSY	1		
. .100	TLM45771	ROTORE 12 PALETTE	ROTOR 12 PALETTES	12-BLADE ROTOR	1		
. .200	TLO21344	ANELLO INTERNO	ANNEAU INTERNE	INNER RING	1		
.300	TLZ49343	PALETTA ROTORE	PALETTE ROTOR	ROTOR BLADE	12		
.400	TLP45888	ALBERO DI COMANDO	ARBRE DE COMMANDE	CONTROL SHAFT	1		
.500	TLZ42501	ANELLO A TENUTA (BASSA TEMPERATURA)	ANNEAU D'ETANCHEITE (BASSE TEMPERATURE)	SEAL RING (LOW TEMPERATURE)	1		
.500	TLZ20690	ANELLO A TENUTA (STANDARD)	ANNEAU D'ETANCHEITE (STANDARD)	SEAL RING (STANDARD)	1		
.600	TLM41671	COPERCHIO POMPA	COUVERCLE POMPE	PUMP COVER	1		
.700	TLP20691	ANELLO SEEGER	ANNEAU SEEGER	SEALING RING	1		
.800	TLZ42510	O-RING (BASSA TEMPERATURA)	JOINT TORIQUE (BASSE TEMPERATURE)	O-RING (LOW TEMPERATURE)	1		
.800	KHA098003518	GUARNIZIONE TORICA (STANDARD)	JOINT TORIQUE (STANDARD)	GASKET (STANDARD)	1		
.900	HCN060180110	VITE M6X18	VIS M6X18	SCREW M6X18	1		
.1000	FNP030670050	ROSETTA 6,7 UNI1751	RONDELLE 6,7 UNI1751	WASHER 6.7 UNI1751	3		



NuovoPignone		GRUPPO DI POMPAGGIO ALUBLOCK 2000 GROUPE DE POMPAGE ALUBLOCK 2000 ALUBLOCK 2000 PUMPING SET			TOL 09015		
					PAG. 2/3	ED. 07/00	REV. 00
Pos.	Cod. No.	Descrizione	Description	Description	N.	Note	
.1100	FBM05022	LINGUETTA ARROTONDATA 5X5X22	CLAVETTE 5X5X22	ROUNDED KEY 5X5X22	1		
.1200	TLP41808	MOZZO	MOYEU	HUB	1		
300	TLO1329401	ASSIEME PARTI COMUNI 50-90L. (BASSA TEMPERATURA)	ENSEMBLE PARTIES COMMUNES 50-90L. (BASSE TEMPERATURE)	COMMON PARTS ASSY. 50-90L. (LOW TEMPERATURE)	1		
300	TLO1329402	ASSIEME PARTI COMUNI 50-90L. (STANDARD)	ENSEMBLE PARTIES COMMUNES 50-90L. (STANDARD)	COMMON PARTS ASSY. 50-90L. (STANDARD)	1		
.100	HCN050100110	VITE M5X10 UNI3740	VIS M5X10 UNI3740	SCREW M5X10 UNI3740	2		
.200	TLP43743	VITE M6X22	VIS M6X22	SCREW M6X22	12		
.300	TLZ43740	DEFLETTORE	DEFLECTEUR	BAFFLE	1		
.400	TLO57727	ASSIEME BLOCCO DEGASATORE (BASSA TEMPERATURA)	ENSEMBLE DEGAZEUR (BASSE TEMPERATURE)	GAS SEPARATOR (LOW TEMPERATURE)	1		
.400	TLO43735	ASSIEME BLOCCO DEGASATORE (STANDARD)	ENSEMBLE DEGAZEUR (STANDARD)	GAS SEPARATOR (STANDARD)	1		
.100	HCN050160110	VITE M5X16 UNI3740	VIS M5X16 UNI3740	SCREW M5X16 UNI3740	4		
.200	FNC010530050	ROSETTA 5.3 UNI6592	RONDELLE 5.3 UNI6592	WASHER 5.3 UNI6592	4		
.300	FFF140050050	DADO M5 UNI5588	ECROU M5 UNI5588	NUT M5 UNI5588	4		
.400	TLZ43701	TAPPO COCLEA	BOUCHON	SCROLL PLUG	1		
.500	TLZ21956	O-RING (BASSA TEMPERATURA)	JOINT TORIQUE (BASSE TEMPERATURE)	O-RING (LOW TEMPERATURE)	2		
.500	KHA036003501	GUARNIZIONE TORICA (STANDARD)	JOINT TORIQUE (STANDARD)	O-RING (STANDARD)	2		
.600	TLZ43700	BLOCCO DEGASATORE	DEGAZEUR	GAS SEPARATOR BLOCK	1		
.700	TLZ43702	TAPPO	BOUCHON	PLUG	1		
.500	TLZ27526	O-RING 13.4X2.1 (BASSA TEMPERATURA)	JOINT TORIQUE 13.4X2.1 (BASSE TEMPERATURE)	O-RING 13.4X2.1 (LOW TEMPERATURE)	3		
.500	KHA013402101	GUARNIZIONE TORICA 13,4X2,1 (STANDARD)	JOINT TORIQUE 13,4X2,1 (STANDARD)	RING GASKET 13.4X2.1 (STANDARD)	3		
.600	TLZ42489	O-RING 15.54X2.62 (BASSA TEMPERATURA)	JOINT TORIQUE 15.54X2.62 (BASSE TEMPERATURE)	O-RING 15.54X2.62 (LOW TEMPERATURE)	1		
.600	KHA015502618	GUARNIZIONE TORICA 15,54X2,62 (STANDARD)	JOINT TORIQUE 15,54X2,62 (STANDARD)	RING GASKET 15.54X2.62 (STANDARD)	1		
.700	TLZ27527	O-RING 45.36X3.53 (BASSA TEMPERATURA)	JOINT TORIQUE 45.36X3.53 (BASSE TEMPERATURE)	O-RING 45.36X3.53 (LOW TEMPERATURE)	1		
.700	KHA045303501	GUARNIZIONE TORICA 45,36X3,53 (STANDARD)	JOINT TORIQUE 45,36X3,53 (STANDARD)	RING GASKET 45.36X3.53 (STANDARD)	1		
.800	KHA058703532	O-RING 58.74X3.53 (BASSA TEMPERATURA)	JOINT TORIQUE 58.74X3.53 (BASSE TEMPERATURE)	O-RING 58.74X3.53 (LOW TEMPERATURE)	2		
.800	KHA058703501	GUARNIZIONE TORICA 58,74X3,53 (STANDARD)	JOINT TORIQUE 58,74X3,53 (STANDARD)	RING GASKET 58.74X3.53 (STANDARD)	2		
.900	TLZ21396	O-RING 72.62X3.53 (BASSA TEMPERATURA)	JOINT TORIQUE 72.62X3.53 (BASSE TEMPERATURE)	O-RING 72.62X3.53 (LOW TEMPERATURE)	2		
.900	KHA072603501	GUARNIZIONE TORICA 72,62X3,53 (STANDARD)	JOINT TORIQUE 72,62X3,53 (STANDARD)	RING GASKET 72.62X3.53 (STANDARD)	2		
.1000	TLZ57596	GUARNIZIONE COPERCHIO MONOBLOCCO (BASSA TEMPERATURA)	JOINT COUVERCLE MONOBLOC (BASSE TEMPERATURE)	PUMPING SET COVER GASKET (LOWER TEMPERATURE)	1		
.1000	TLZ43725	GUARNIZIONE COPERCHIO MONOBLOCCO (STANDARD)	JOINT COUVERCLE MONOBLOC (STANDARD)	PUMPING SET COVER GASKET (STANDARD)	1		
.1100	TLV43709	VITE PER MOLLA BY-PASS	VIS POUR RESSORT BY-PASS	SCREW FOR BY-PASS SPRING	1		
.1200	TLQ25087	ANELLO SEEGER	ANNEAU SEEGER	SNAP RING (SEEGER)	1		
.1300	TLR43724	MOLLA PER BY-PASS	RESSORT POUR BY-PASS	BY-PASS SPRING	1		
.1400	TLR43720	MOLLA PER VALVOLA NON RITORNO	RESSORT POUR SOUPAPE DE NON RETOUR	SPRING FOR CHECK VALVE	1		
.1500	TLZ43721	SUPPORTO GALLEGGIANTE	SUPPORT FLOTTEUR	FLOAT SUPPORT	1		
.1600	TLV43723	OTTURATORE GALLEGGIANTE	OBTURATEUR FLOTTEUR	FLOAT SHUTTER	1		
.1700	TLO43748	ASSIEME GALLEGGIANTE	ENSEMBLE FLOTTEUR	FLOAT ASSY	1		
.1800	TLS43689	CORPO MONOBLOCCO	CORPS MONOBLOCC	PUMPING SET BODY	1		
.1900	TLF43695	COPERCHIO MONOBLOCCO	COUVERCLE MONOBLOC	PUMPING SET COVER	1		
.2000	TLS43707	TAPPO MONOBLOCCO	BOUCHON MONOBLOC	PUMPING SET PLUG	1		
.2100	TLS43708	TAPPO MONOBLOCCO	BOUCHON MONOBLOC	PUMPING SET PLUG	1		

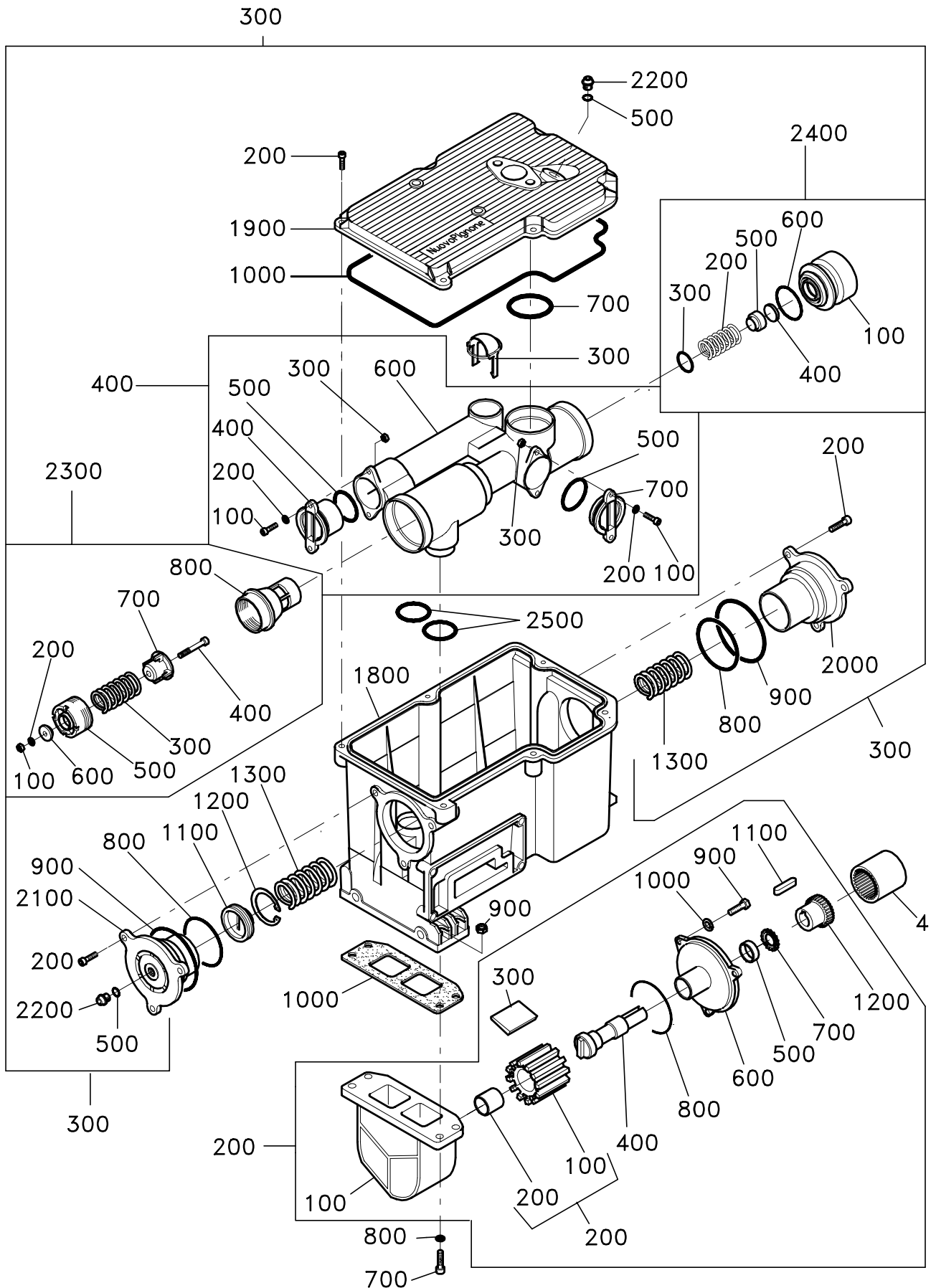


NuovoPignone		GRUPPO DI POMPAGGIO ALUBLOCK 2000 GROUPE DE POMPAGE ALUBLOCK 2000 ALUBLOCK 2000 PUMPING SET			TOL 09015		
					PAG. 3/3	ED. 07/00	REV. 00
Pos.	Cod. No.	Descrizione	Description	Description	N.	Note	
. 2200	TLS53063	TAPPO 1/4"	BOUCHON 1/4"	PLUG 1/4"	3		
. 2300	TLO56400	ASSIEME BY-PASS NERO (STANDARD)	ENSEMBLE BY-PASS NOIR (STANDARD)	BY-PASS VALVE ASSY BLACK (STANDARD)	1		
. . 100	TLO24754	DISTANZIALE M3X5	ENTRETOISE M3X5	SPACER M3X5	1	■	
. . 200	FNP030320050	ROSETTA A3 UNI1751	RONDELLE A3 UNI1751	WASHER A3 UNI1751	1	■	
. . 300	FLR43718	MOLLA PER VALVOLA ECCESSO DI FLUSSO	RESSORT POUR SOUPAPE EXTRA-FLUX	SPRING FOR FLUX EXCESS VALVE	1	■	
. . 400	GJE030250050	VITE M3X25 UNI3740	VIS M3X25 UNI3740	SCREW M3X25 UNI3740	1	■	
. . 500	TLZ43710	SEDE OTTURATORI	SIEGE OBTURATEUR	SHUTTER SEAT	1	■	
. . 600	TLS43712	OTTURATORE LATO ASPIRAZIONE	OBTURATEUR COTE ASPIRATION	SUCTION SIDE SHUTTER	1	■	
. . 700	TLZ43713	OTTURATORE LATO MANDATA	OBTURATEUR COTE REFOULEMENT	DELIVERY SIDE SHUTTER	1	■	
. . 800	TLZ43744	CORPO BY-PASS	CORPS BY-PASS	BY-PASS BODY	1	■	
. 2400	TLO57726	ASSIEME VALVOLA DI NON RITORNO (BASSA TEMPERATURA)	ENSEMBLE SOUPAPE DE NON RETOUR (BASSE TEMPERATURE)	CHECK VALVE ASSY (LOW TEMPERATURE)	1		
. 2400	TLO43728	ASSIEME VALVOLA DI NON RITORNO (STANDARD)	ENSEMBLE SOUPAPE DE NON RETOUR (STANDARD)	CHECK VALVE ASSY (STANDARD)	1		
. . 100	TLZ43703	VALVOLA DI NON RITORNO	SOUPAPE DE NON RETOUR	CHECK VALVE	1		
. . 200	TLR43705	MOLLA PER VALVOLA DI NON RITORNO	RESSORT POUR SOUPAPE DE NON RETOUR	SPRING FOR CHECK VALVE	1		
. . 300	TLQ43706	ANELLO SEEGER	ANNEAU SEEGER	SNAP RING (SEEGER)	1		
. . 400	TLZ43704	GUARNIZIONE PER VALVOLA DI SFIORO	JOINT POUR SOUPAPE DE DEBORDEMENT	GASKET FOR SURFACING VALVE	1		
. . 500	TLV43734	VALVOLA DI SFIORO	SOUPAPE DE DEBORDEMENT	OVERFLOW VALVE	1		
. . 600	KHA026503532	O-RING 26,58X3,53 (BASSA TEMPERATURA)	JOINT TORIQUE 26,58X3,53 (BASSE TEMPERATURE)	O-RING 26.58X3.53 (LOW TEMPERATURE)	1		
. . 600	KHA026503501	GUARNIZIONE TORICA 26,58X3,53 (STANDARD)	JOINT TORIQUE 26,58X3,53 (STANDARD)	O-RING 26.58X3.53 (STANDARD)	1		
. 2500	TLZ21956	O-RING 36,09X3,53 (BASSA TEMPERATURA)	JOINT TORIQUE 36,09X3,53 (BASSE TEMPERATURE)	O-RING 36.09X3.53 (LOW TEMPERATURE)	2		
. 2500	KHA036003501	GUARNIZIONE TORICA 36,09X3,53 (STANDARD)	JOINT TORIQUE 36,09X3,53 (STANDARD)	O-RING 36.09X3.53 (STANDARD)	2		
400	TLZ57595	GUARNIZIONE FILTRO ALUBLOCK (BASSA TEMPERATURA)	JOINT FILTRE ALUBLOCK (BASSE TEMPERATURE)	ALUBLOCK FILTER GASKET (LOW TEMPERATURE)	1		
400	TLZ43678	GUARNIZIONE FILTRO ALUBLOCK (STANDARD)	JOINT FILTRE ALUBLOCK (STANDARD)	ALUBLOCK FILTER GASKET (STANDARD)	1		
500	HCN080250110	VITE M8X25 8.8 UNI3740	VIS M8X25 8.8 UNI3740	SCREW M8X25 8.8 UNI3740	4		
600	FNP030840050	ROSETTA - A8 UNI1751	RONDELLE - A8 UNI1751	WASHER - A8 UNI1751	4		
700	HCN080300110	VITE M8X30 8,8 UNI3740	VIS M8X30 8,8 UNI3740	SCREW M8X30 8.8 UNI3740	4		
800	FNP030840050	ROSETTA 8,4 - A8 UNI1751	RONDELLE 8,4 - A8 UNI1751	WASHER 8.4 - A8 UNI1751	4		
900	FFF140080110	DADO M8 UNI5588	ECROU M8 UNI5588	NUT M8 UNI5588	4		
1000	TLZ43699	GUARNIZIONE POMPA ALUBLOCK	JOINT POMPE ALUBLOCK	ALUBLOCK PUMP GASKET	1		
1200	TLR57734	TARGA IDENTIFICAZIONE ALUBLOCK	PLAQUE IDENTIFICATION ALUBLOCK	ALUBLOCK IDENTIFICATION PLATE	1		
1	TLZ43628	GUARNIZIONE PER GHIERA	JOINT POUR FRETTE	RING NUT GASKET	1		
2	TLP43681	PREMIGUARNIZIONE	PRESEJOINT	GLAND	1		
3	TLM43680	GHIERA PER FILTRO	FRETTE POUR FILTRE	FILTER RING NUT	3		
4	TLZ21841	MANICOTTO	MANCHON	SLEEVE	1		

■ materiali non fornibili
assiemati

■ composants non disponibles
assemblés

■ not available assembled
spare parts



NuovoPignone		MISURATORE AUTOSET 500 MESUREUR VOLUMETRIQUE AUSTOSET 500 AUTOSET 500 VOLUME METER			TOL 09017		
					PAG.	ED.	REV.
					1/1	07/00	00
Pos.	Cod. No.	Descrizione	Description	Description	N.	Note	
100	TLO1383900	ASSIEME MISURATORE AUTOSET 500	ENS. MESUREUR AUTOSET 500	AUTOSET 500 VOLUME METER ASSY.			
	TLO1383600	MISURATORE AUTOSET 500	MESUREUR AUTOSET 500	AUTOSET 500 VOLUME METER	1		
.100	TLS51129	CORPO MISURATORE	CORPS MESUREUR	VOLUMEMETER BODY	1		
.200	TLZ25740	ANELLO DI TENUTA A LABBRO 19-10-4.5	JOINT D'ETANCHEITE A LEVRE 19-10-4.5	LIP SEALING RING 19-10-4.5	1		
.300	TLR35005	CUSCINETTO RADIALE A SFERE 10X26X8	ROULEMENT RADIAL A SPHERES 10X26X8	BALL RADIAL BEARING 10X26X8	1		
.400	TLO51328	ASSIEME BIELLA MISURATORE	ENSEMBLE BIELLE MESUREUR	METER CONNECTING ROD ASSY	2		
.500	TLQ51340	ALBERO A GOMITO	VILEBREQUIN	CRANKSHAFT	1		
.600	FLD021015005	RASAMENTO 21-15 SP.0,5 DIN988 INOX	CALE 21-15-EPAISS. 0.5 DIN 988 INOX	SHIM 21-15 SP.0.5 DIN988 INOX	1		
.700	TLR25106	CUSCINETTO 15-28-7	COUSSINET 15-28-7	BEARING 15-28-7	2		
.800	KKA000150080	ANELLO DI SICUREZZA DN 15 UNI7435	ANNEAU DE SECURITE DN 15 UNI7435	SAFETY RING DN 15 UNI7435	1		
.900	KHA080003018	GUARNIZIONE TORICA D.I. 80 X 3	JOINT TOROIDAL D.I. 80X3	OR GASKET I.D. 80X3	2		
.1000	TLR51142	CAMICIA MISURATORE	CHEMISE MESUREUR	METER COATING	2		
.1100	TLO51332	PISTONE MISURATORE	PISTON MESUREUR	MEASURING PISTON	2		
.1200	KAJ001000510	GUARNIZIONE D. 10/5 SP 1	JOINT D. 10/5 EP.1	GASKET D. 10/5 TH.1	4		
.1300	HAG050060110	VITE M5X6 UNI6107 4.8 UNI3740	VIS M5X6 UNI6107 4.8 UNI3740	SCREW M5X6 UNI6107 4.8 UNI3740	4		
.1400	TLZ52824	GUARNIZIONE FLANGIA CHIUSURA CILINDRO	JOINT POUR BRIDE FERMETURE CYLINDRE	GASKET FOR CYL. CLOSING FLANGE	2		
.1500	TLF51132	FLANGIA CHIUSURA CILINDRO	BRIDE FERMETURE VERIN	CYL. CLOSING FLANGE	2		
.1600	KHA113903518	GUARNIZIONE TORICA D.I. 113,9X3,5	JOINT TOROIDAL D.I. 113.9X3.5	OR GASKET I.D. 113.9X3.5	1		
.1700	TLO51347	ASSIEME COPERCHIO FONDO MISURATORE	ENSEMBLE COUVERCLE FOND MESUREUR	METER BOTTOM COVER ASSY	1		
.1800	FJN04032	SPINA CILINDRICA 4H8X32 UNIISO2338B	GOUPILLE CYLINDRIQUE 4H8X32 UNI-ISO2338B	CYLINDRIC PIN 4H8X32 UNIISO2338B	1		
.1900	TLZ51338	CASSETTO DI DISTRIBUZIONE	TIROIR DE DISTRIBUTION	DISTRIBUTION VALVE	1		
.2000	TLZ52800	GUARNIZIONE A LABBRO	JOINT A LEVRE	LIP GASKET	1		
.2200	TLR51349	MOLLA PREMICALSETTO MISURATORE	RESSORT PRESSE-TIROR MESUREUR	BOX PRESSING SPRING FOR METER	1		
.2300	TLZ53069	GUIDA PER MOLLA PREMICALSETTO	GUIDE POUR RESSORT PRESSE-TIROIR	GUIDE FOR VALVE PRESSING GUIDE	1		
.2400	KKA000080080	ANELLO DI SICUREZZA DN 8 UNI7435	ANNEAU DE SECURITE DN 8 UNI7435	SAFETY RING DN 8 UNI7435	1		
.2500	KHA105003518	GUARNIZIONE TORICA D.I. 105 X 3,53	JOINT TOROIDAL D.I. 105X3.53	OR GASKET I.D. 105 X 3.53	1		
.2600	TLS51351	ALLOGGIO CASSETTO	LOGEMENT TIROIR	VALVE HOUSING	1		
.2800	TLP51352	VITE A BRUGOLA M8X16 TESTA FORATA	VIS M8X16 TETE PERCEE	DRILLED HEAD SCREW M8X16	16		
.2900	KHA013402118	GUARNIZIONE TORICA D.I. 13,4 X 2,1	JOINT TORIQUE D.I. 13.4X2.1	RING GASKET D.I. 13.4X2.1	2		
.3000	TLS53063	"TAPPO G 1/4" "-FINITO-"	"BOUCHON G 1/4" "-FINI-"	"PLUG G 1/4" "-FINISHED-"	2		
200	TLO1383800	ASSIEME GENERATORE DI IMPULSI	ENSEMBLE EMETTEUR D'IMPULSIONS	PULSE GENERATOR ASSY	1		
300	HCN40100110	VITE M4X10 UNI3740	VIS M4X10 UNI3740	SCREW M4X10 UNI3740	3		
400	TLP37078	VITE	VIS	SCREW	2		
500	FJN03018	SPINA CILINDRICA 3H8X18	GOUPILLE 3H8X18	CYLINDRIC PIN 3H8X18	1		

