

art. 499



Homologated by the Italian Ministry of Interior

Quick closing cap with tongues for loading mouth

Articles

04990201 Aluminium made DN 3"

Features

Complete of fuel resistant gasket

art. 500

NEW



Ring nut and cap

Articles

05009007 4"

Features

Ring nut and cap 4".
DIN 284 TO
MB 100 ND 16

art. 502



Homologated by the Italian Ministry of Interior

Quick closing cap with handle for loading mouth

Articles

05020101 Brass DN 2"

05020201 Brass DN 3"

05020202 Brass DN 4"

05020301 Aluminium DN 3"

05020302 Aluminium DN 4"

Features

Complete of fuel resistant gasket

art. 503



Homologated by the Italian
Ministry of Interior

Quick connection threaded nut ring

Articles

05030101 Brass DN 1 1/2" x 1 1/2"

05030102 Brass DN 2" x 2"

05030103 Brass DN 2" x 1 1/2"

05030104 Brass DN 3" x 2 1/2"

05030105 Brass DN 3" x 3"

05030106 Brass DN 4" x 4"

05030107 Brass, cassoni threaded DN 4" x 4"

Features

Female BSP threaded, rapid male connection

art. 510



Homologated by the Italian
Ministry of Interior

Quick closing cap with measuring stick housing

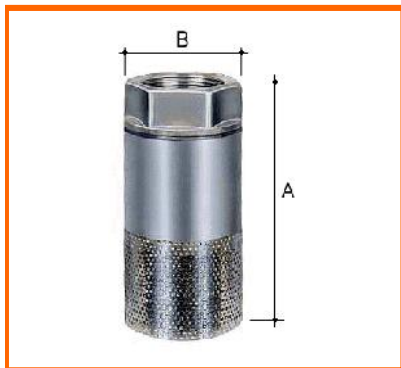
Articles

05100101 Brass DN 3"

Features

Complete of fuel resistant gasket and quick closing cap

art. 526



Homologated by the Italian Ministry of Interior

Foot valve with double seat

Articles

05260103 Brass DN 1 1/2"

05260104 Brass DN 2"

05260106 Brass DN 3"

05260107 Brass DN 4"

Features

Lower disc with fuel resistant seal and upper metallic disc, BSP threaded, Brass made

art. 528



Homologated by the Italian Ministry of Interior

Oil Foot valve

Articles

05280101 Brass DN 1"

Features

With conic seat, BSP threaded

art. 531



Homologated by the Italian Ministry of Interior

Misura	A	B
3"	198	125
4"	208	165

Foot valve with single seat

Articles

05310102 Brass DN 3"

05310103 Brass DN 4"

Features

Total flow, fuel resistant seal,
BSP threaded, brass made

art. 552



Homologated by the Italian Ministry of Interior

Misura	A	B	C	D
1 1/2"	55	52	62	45
2"	62	65	76	60
2 1/2"	70	85	87	70
3"	75	100	112	80

Angle check valve with single seat

Articles

05520102 Cast Iron DN 1 1/2"

05520103 Cast Iron DN 2"

05520104 Cast Iron DN 2 1/2"

05520105 Cast Iron DN 3"

05520207 Cast Iron DN 6"

Features

Body: cast iron, seat: brass,
Viton seal
BSP threaded.

This item can be reconditioned without moving the body of the valve from the installation

art. 557



Homologated by the Italian Ministry of Interior

Automatic loading valve

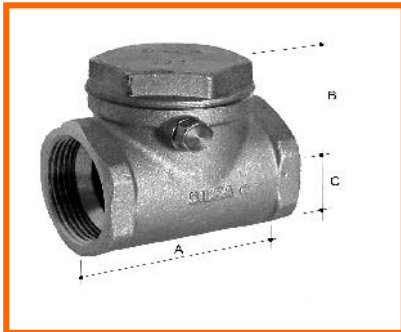
Articles

0557N002 DN 2"

Features

Body of the item in brass.
Threaded connection 2" for quick coupling 2".
It impedes vapour leakages, also with quick cap, only open if there si no connection to the vapour hoses

art. 563



Homologated by the Italian Ministry of Interior

Misura	A	B	C
1 1/2"	80	32	53
2"	93	39	61

Vent Valve

Articles

05630102 Brass DN 1 "

05630103 Brass DN 1 1/2"

05630202 Brass DN 2"

Features

Brass made.
BSP threaded connections.
To be installed only in a horizontal position. In rest position, the disc maintains a sloping stance

art. 568



Homologated by the Italian Ministry of Interior

Tanks Overfilling valve

Articles

05680202 Steel DN 3"

05680203 Steel DN 4"

Features

To be used in taks.
Body in steel.
Float specifically suited for petrol.
BSP threaded or welding ends.

art. 572



Homologated by the Italian Ministry of Interior

Fire-safe antitilting safety valve, male/female connection

Articles

05720001M Cast Iron DN 1 1/2"

Features

This item is installed at the base of the dispenser to avoid the leakage of liquid in case of an emergency situation
Viton seals. BSP threaded. Cast Iron made
Available with or without check valve

art. 572



Homologated by the Italian Ministry of Interior

Fire-safe antitilting safety valve, female/female

Articles

05720001 Cast iron DN 1 1/2" x 1 1/2"
without check valve

05720002 Cast Iron DN 2" x 2"
without check valve

05720101 Cast Iron DN 1 1/2" x 1 1/2"
with check valve

05720102 Cast Iron DN 2 1/2" x 2 1/2"
with check valve

Features

This item is installed at the base of the dispenser to avoid the leakage of liquid in case of an emergency situation
Viton seals. BSP threaded. Cast Iron made
Available with or without check valve

art. 574



Homologated by the Italian Ministry of Interior

Floating safety valve for vapours recovery line

Articles

05740103 Steel DN 2"

Features

To be installed on the manhole inside the tank.
Body in steel, Ball in stainless steel, BSP male threaded.
It prevents the entrance of the liquid in the vapours recovery line

art. 574



"T" Connector

Articles

05741004 3" X 2"

Features

For vapours recovery circuit, with floating ball valve

575



Intermediate flame arrester

Articles

05750101 Brass DN 2" x 2"

Features

Discs in bored sheet, BSP Threaded connections. Brass made

Homologated by the Italian
Ministry of Interior

art. 576



Saturator with flame arrester

Articles

05760101 Brass DN 3" x 2 1/2"
DN 2" x 1"

Features

Preset with 2,5" and 3" double threaded connection, Brass made

Homologated by the Italian
Ministry of Interior

art. 578

Homologated by the Italian Ministry of Interior

Flanged saturator with flame arrestor**Articles**

05780101 Brass DN 2" x 1" 6 holes

05780103 Brass DN 2" x 2" 6 holes

05780201 Brass DN 2" x 1" 4 holes

05780202 Brass DN 2" x 1 1/2" 4 holes

Features

Flange with 4 or 6 PN 6 bores, Brass made

art. 581

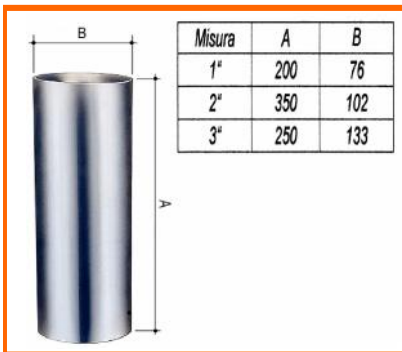
Homologated by the Italian Ministry of Interior

Flanged saturator for high flow rates**Articles**

05810101 Brass DN 3" x 3" 8 holes

Features

To be used in high capacity tanks.
Brass made.
UNI DN 100 PN 10 flange

art. 582

Homologated by the Italian Ministry of Interior

Scrubbing cup**Articles**

05820301 aluminium DN 1"

05820303 aluminium DN 2"

05820105 steel DN 3"

05828003 steel DN 2" x 76

Features

Available with sleeve for the coupling with saturation pipes of 1", 2", 3"

art. 583



Homologated by the Italian Ministry of Interior

"T" support with vapours inlet (without saturator)

Articles

05830101 Cast iron DN 3" x 2" x 2"

Features

It allows to fit onto the manhole (when not preset) the vapours recovery pipe back to the tank

art. 583



Homologated by the Italian Ministry of Interior

Saturator with flame arrestor and "T" support

Articles

05830103 Brass DN 2" x 1"

Features

Besides functioning as a saturator, it allows to fit onto the manhole (when not preset) the vapours recovery pipe back to the tank

art. 584



Homologated by the Italian Ministry of Interior

Floating valve with built-in flame arrestor

Articles

05840001 Aluminium DN 2"

Features

It prevents the entrance of the liquid in the vapours recovery line.
Aluminium body, Plastic ball resistant to fuel.
Flame arrestor discs in stainless steel.
BSP threading at both ends: 1 1/2" female e 2" male.

art. 601



Homologated by the Italian Ministry of Interior

Flame arrester for "closed cycle" with BSP threaded

Articles

06010101 Brass DN 1 1/2" x 1 1/2"

06010102 Brass DN 2" x 2"

Features

With BSP threaded connection
To be installed in the vapours recovery line

art. 602



Antirotating overfilling valve cage

Articles

0602G101 Galvanized steel DN 4"

Features

It prevents the rotation of the valve during loading process.
Galvanized steel made.

art. 602



Overfilling valve

Articles

0602E200 Aluminium, without pipes

0602E182 Aluminium, complete of pipes

0602E184 Female threaded 3" **NEW**

0602E183 Female threaded 4" **NEW**

Features

The 0602E182 version is supplied with the connections and pipes so to be inserted in the 4" loading pipeline. If required a reduction can be supplied for the 3" pipeline. It can be inserted without dismantling the manhole assembly. It is made in aluminium and other materials very suited for fuel.

Homologated by the Italian Ministry of Interior

Design patented by Silea

art. 603

Homologated by the Italian
Ministry of Interior

Intermediate flame arrestor**Articles**

06030103 Steel 4" x 3"

Features

Body in steel.
Iron cast connections.
Interspace with porcelain balls.
Steel partition

art. 604

Homologated by the Italian
Ministry of Interior

Tank venting flame arrestor**Articles**

06040102 Brass DN 1"

06040103 Brass DN 1 1/2"

Features

To allow the tank to breath.
Partition in perforated plate .
BSP thread, Brass made.

art. 606

Homologated by the Italian
Ministry of Interior

Pressure vacuum vent**Articles**

06060200 Brass DN 1"

Features

To be installed onto " two sidewalls" tanks.
BSP Thread.
Viton seal.

art. 606**Pressure vacuum vent**

Homologated by the Italian
Ministry of Interior

Articles

06060603 Aluminium DN 1 1/2"

06060604 Aluminium DN 2"

06061604 Aluminium DN 3"

Features

Aluminium made, with DELRIN pans, BSP female thread. Complete of flame
arrestor. It mantains the required pressure in the tanks.

art. 607**Double breather pipe flame arrestor**

Homologated by the Italian
Ministry of Interior

Articles

06070101 Cast iron DN 1 1/2"

06070102 Cast iron DN 2"

06071002 Aluminium DN 2"

Features

Costructed in cast iron with bored sheet brass partittion.
BSP female threaded

art. 609**"Closed Cycle" interlock valve for article 0682**

Homologated by the Italian
Ministry of Interior

Articles

06090201 Brass DN 2"

Features

To be installed in underground tanks.
Spare part for article N° 0682
Brass made.

art. 610

Quick spanner for interlock opening with rubber holder



Homologated by the Italian
Ministry of Interior

Articles

06100100 DN 2" x 40

06100101 DN 2" x 50

06100201 DN 3" x 50

06100202 DN 3" x 80

06100203 DN 3" x 100

06109101 DN 2"

Features

It goes along with the flexible hose. It permits the opening of our article N° 608 (on trucks) and the opening and closing of article N° 0682 (vapour by-pass relief valve, patented by Silea).

art. 611

Double quick connection for the interlock valve



Homologated by the Italian
Ministry of Interior

Articles

06110101 Brass DN 2" x 2"

Features

To be used to elongate flexible hoses fitted with article N° 610

art. 613



Homologated by the Italian Ministry of Interior

Quick spanner reduction for interlock opening

Articles

06130101 DN 2" x 1 1/2"

06130103 DN 3" x 3"

06130201 DN 2" x 1 1/2"

Features

It permits the opening of article 0682 (vapour by-pass relief valve, patented by Silea) if there are flexible hoses having the quick coupling device not incorporating our article n° 610

art. 614



Homologated by the Italian Ministry of Interior

Quick fitting

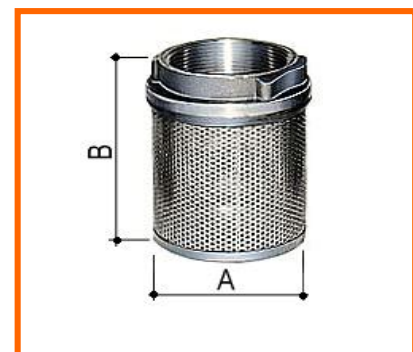
Articles

06140101 Brass DN 2" x 1 1/2"

Features

It allows the connection between the flexible hoses fitted with our article n° 610 and the "closed cycle" with a 1 1/2" threaded pin (art. 0601)

art. 628



Homologated by the Italian Ministry of Interior

Bottom suction filter

Articles

06280103 Brass DN 1 1/2"

06280104 Brass DN 2"

06280105 Brass DN 2 1/2"

06280106 Brass DN 3"

06280107 Brass DN 4"

Features

Filtering basket in brass bored sheet.
BSP female thread, brass made.

art. 629



Homologated by the Italian
Ministry of Interior

Conic filter for loading pipe

Articles

06290102 Brass DN 2" for high flow deliv. nozzles

06290104 Brass DN for 4" loading pipe

Features

Brass net

art. 682



Homologated by the Italian
Ministry of Interior

Patented by Silea

Vapours by-pass relief valve

Articles

06820201 BR. 2" x 1 1/2" X 2"

Features

This valve is the only one of the kind that automatically enables, when the flexible hose is inserted, the closure of the aeration conduct of the underground tank in such a way to make impossible the leakage of vapours in the atmosphere and in so doing implementing a very secure "closed cycle" between the tank and truck. By disconnecting the hose and rotating the lever to close the inlet pipe, the aeration conduct is automatically re-opened.

art. 701



Homologated by the Italian
Ministry of Interior

Flexible hose fitting

Articles

07010201 Brass DN 2" x 50

07010301 Brass DN 3" x 50

07010302 Brass DN 3" x 60

07010303 Brass DN 3" x 80

07010304 Brass DN 4" x 80

07010305 Brass DN 4" x 100

Features

Brass made.
Anti-fuel gasket.

art. 703

Double quick coupling fitting



Articles

07030101 Brass DN 3" x 3"

07030102 Brass DN 4" x 4"

Features

Fitting for the elongation of hoses fitted with our art. 0701

art. 706

Hose holder fitting with rotating ring



Articles

07060101 Brass DN 1 1/2" x 40

07060102 Brass DN 2" x 50

07060103 Brass DN 2 1/2" x 50

07060104 Brass DN 2 1/2" x 60

07060105 Brass DN 3" x 80

07060106 Brass DN 4" x 100

07060107 Brass DN 4" cassoni type x 100

CARATTERISTICHE

Brass made.
Anti fuel gasket.
BSP female thread

art. 707

BSP Threaded Hose holder fitting



Articles

07070103 Brass DN 1 1/2" x 40

07070104 Brass DN 2" x 50

07070105 Brass DN 2 1/2" x 50

07070106 Brass DN 2 1/2" x 60

07070107 Brass DN 3" x 80

07070108 Brass DN 4" x 100

Features

Body in brass.
BSP male threaded connection

art. 708

Nipple



Articles

07080101 Brass DN 1 1/2"

07080102 Brass DN 2"

07080103 Brass DN 2 1/2"

07080104 Brass DN 3"

Features

Body in brass.
BSP male thread

art. 711

Homologated by the Italian
Ministry of Interior

Quick fitting for "closed cycle"**Articles**

07110100 Brass DN 1 1/2" x 1 1/2"

07110101 Brass DN 2" x 2"

07110201 Brass DN 2" x 2 1/2"

Features

With brass ring nut, brass made
BSP female thread.

art. 754**Reduction****Articles**

07540102 DN 4" x 3"

07540104 DN 4" x 3"

Features

Reduction from BSP female thread to quick male coupling.

art. 759

Homologated by the Italian
Ministry of Interior

Quick connection reduction**Articles**

07590101 DN 4" x 3"

Features

Reduction with handle from quick female coupling to quick male
coupling.

art. 776**Male threaded cap****Articles**

07760201 Brass DN 2 1/2"

Features

Body in brass
Male thread.

art. 777**Female threaded cap****Articles**

07770104 Brass DN 1 1/2"

07770105 Brass DN 2"

07770106 Brass DN 2 1/2"

07770107 Brass DN 3"

07770108 Brass DN 4"

07770109 Brass DN 4"

Features

Body in Brass.
Female thread.

art. 778**Quick cap****Articles**

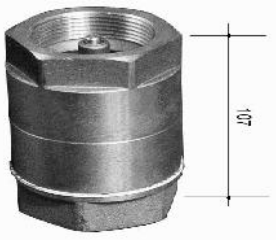
07780201 Brass DN 1 1/2"

07780202 Brass DN 2"

Features

Quick fitting brass cap

art. 903



Homologated by the Italian
Ministry of Interior

Double seat vertical check valve

Articles

09030201 Brass DN 1 1/2"

Features

It guarantees the perfect seal on the fuel distribution line.
Brass made.
BSP female thread at both ends.

art. 904



"Hammer" shaped bolts kit for manholes

Articles

09040101 Steel bolt M 16 x 60

0904K kit of 12 Bolts M 16 x 60

Features

Hammer shaped bolt complete of nut and washer, for manhole

art. 907



Homologated by the Italian
Ministry of Interior

One-way check valve with flame arrestor

Articles

09070202 Brass DN 2"

Features

It obliges the vapours recovered through the delivery nozzle to return to the tank from which the delivered fuel has come from. It does not allow the liquid to penetrate the vapours line and contemporaneously works as a flame arrestor.

art. 908

Emergency Breakaway shut off valve



Homologated by the Italian Ministry of Interior

Articles

09080101 Cast iron DN 1"

Features

This device is mounted in the lower part of the dispenser, at the base, onto the vapours recovery line. Complete of double closing valve, in case of emergency it prevents the discharge of vapours in the atmosphere.

art. 937

Adaptor for saturator with vapours return

Articles

09379501 Shell

09379502 Nuovo Pignone

Features

It allows the installation of both the saturator and gas recovery on the manholes that are not preset for such tasks.

art. 940

Copper ground tap

Articles

09408121 Copper

Features

Complete of bolt, nut and washer

art. 976

Homologated by the Italian
Ministry of Interior

Articolo	Lunghezza in cm	Graduazione in cm
09760101	250	150
09760102	300	200
09760103	350	250
09760104	400	300
09760105	450	350
09760106	500	400

Black anodized measuring stick**Articles**

09760101 Length 250

09760102 Length 300

09760103 Length 350

09760104 Length 400

09760105 Length 450

09760106 Length 500

Features

Black anodized aluminium measuring stick.
Cross section 12x12 mm.
Metrical scale in centimetres.
Rubber end.

art. 976

Homologated by the Italian
Ministry of Interior

Articolo	Lunghezza in cm	Graduazione in cm
09760301	250	150
09760302	300	200
09760303	350	250
09760304	400	300
09760305	450	350
09760306	500	400

Black anodized measuring stick**Articles**

09760301 Length 250

09760302 Length 300

09760303 Length 350

09760304 Length 400

09760305 Length 450

09760306 Length 500

09768402 Length 330

09768403 Length 380

Features

Black anodized hollow aluminium measuring stick.
Cross section 12x12 mm.
Metrical scale in centimetres. Rubber end.

art. 979

Homologated by the Italian
Ministry of Interior

Measuring stick housing**Articles**

09790101 Brass DN 1 1/2" x 1"

Features

Complete of quick cap DN 1 1/2 ", DN 1" BSP female connection

art. 2398**Product identification collar****Articles**

23980103 Gasoil 3"

23980104 FuelSP 3"

23980203 Gasoil 4"

23980204 Fuel SP 4"

Features

To be fixed on the loading pipe. It is utilized to identify the fuel type

art. 2417**Manometer****Articles**

24170101 Glycerine 1/4" d 63

24170102 Glycerine 1/4" S.S. container

Features

Visible scale

art. 2556



Galvanized plumbing spiral wire

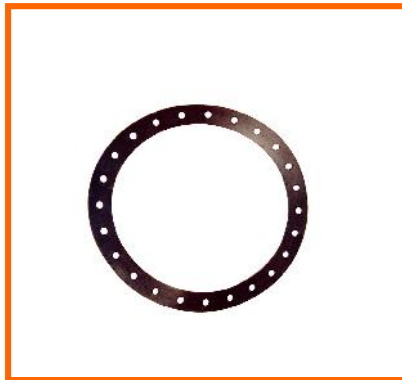
Articles

25560101 Diameter 1mm

Features

In coils - Length 400 MT

art. 2559



Tank's manhole gasket

Articles

25590101 Int. D. = 510 mm - Ext. D. = 627 mm
Thickness = 6mm n. 24 holes

25590102 Int. D. = 590 mm - Ext. D. = 690 mm
Thickness = 6mm n. 24 holes

Features

Produced in antifuel rubber

art. 2560



Rubber sheet

Articles

25600101 Synthetic mm 1, price per Kg.

25600102 Synthetic mm 2, price per Kg.

25600103 Synthetic mm 3, price per Kg.

25600104 Synthetic mm 4, price per Kg.

25600105 Synthetic mm 5, price per Kg.

Features

Fuel resistant synthetic rubber sheet

art. 2562



Tank water monitoring paste

Articles

25620101 In tubetto da 150 g.

Features

It monitors the presence of water in the tank

art. 2563



Lead Seals

Articles

25630102 5 Kg. package

Features

Lead seals 00 8 x 50

art. 2564



Fuel resistant hermetic paint

Articles

25640101 1 Kg. package

Features

Fuel resistant paint.
Gray color.

art. 2571



Quick fittings gasket

Articles	
25710101	DN 1 1/2 "
25710102	DN 2 "
25710104	DN 3 "
25710105	DN 4 "

Features

Fuel resistant rubber falk 78

art. 2572



BSP threaded fittings gasket

Articles	
25720101	DN 1 1/2 "
25720102	DN 2 "
25720103	DN 2 1/2 "
25720104	DN 3 "
25720105	DN 4 "

Features

Fuel resistant rubber falk 78

art. 2577

Manhole's connection complete set of Gaskets



Articles

25770102 DN 1 1/2 "

25770302 DN 2 "

25770402 DN 2 1/2 "

25770502 DN 3 "

25770602 DN 4 "

Features

Fuel resistant rubber falk 78

art. 2201

Tester



Articles

22010104 LT. 10

22010105 LT. 20

Features

Stainless Steel plate.
Graduated neck.
Visible scale.

art. 2299



Product identification and tank capacity tags

Articles

2299-0000021K	Aluminium 20/10 SP
2299-0000022K	Aluminium 20/10 Diesel
2299-0000023K	Aluminium 20/10 MC 3
2299-0000025K	Aluminium 20/10 MC 5
2299-0000026K	Aluminium 20/10 MC 10
2299-0000027K	Aluminium 20/10 MC 15
2299-0000028K	Aluminium 20/10 MC 20
2299-0000029K	Aluminium 20/10 MC 25
2299-0000030K	Aluminium 20/10 MC 30

Features

In aluminium

art. 3028



Underground tank leakage monitoring device

Articles

30280302	Mod. Lag 14 ER CE
-----------------	-------------------

Features

It shows the leakage of liquid in one the two tank walls.

art. 4860

Silea's mechanical flowmeter



Articles

6- 4860 Mechanical flowmeter F/F 1"

Features

Contains an oscillating disc. Flow rate ranging from 20 to 80 litres per minute.

It is possible to rotate the entry connection depending upon the desired position.

Max. operating pressure: 3,5 bar, Can be indifferently operate by handpump or by gravity.

Silea S.r.l., established in 1968 after more than 30 years of steady & continual growth, can today rely upon two factory sites both based in Ozzano dell'Emilia - in the industrial outskirts of Bologna, Italy - and is recognized as a pre-eminent European manufacturer of components and equipment dedicated to the petrochemical industry.

Silea S.r.l., quality certified ISO 9001 since 1997 - includes in its wide range of products, (amongst others) the following:

- Pipe fittings and safety components
- Equipment for fuels, LPG gas and industrial liquids
- Equipment for the chemical and food industry
- Equipment for road and rail truck tankers
- Loading arms, API couplers and safety systems for vapour recovery
- Magnetostrictive probes and software management systems
- Folding stairs
- Leak detecting systems for double - walled tanks
- Loading cantiliver roofs
- Volumetric pumps

Many of Silea's products and components are patented and provided with the necessary government approvals.

Silea S.r.l. can also place at customer's disposal a skilled technical department, which is able to solve any need related to plant, logistics and liquid products handling.

The company is a member of UNI Group, and is proud of being listed in the select register of official suppliers to the Italian Military Forces. Silea is an active member of many major trade associations, including the Petroleum Equipment Institute (PEI) and the Institute of Petroleum (IP).

Detailed catalogues and brochures of our production are available from the sales office. Should you need further elucidations, do not hesitate to contact us.