





Product Liability

The supplier's product liability is only valid if no alterations, additions etc. have been made to the equipment without the supplier's express permission. Use only genuine parts.



Produktansvar

För att en leverantörs produktansvar skall gälla får ändringar, kompletteringar och liknande ej göras i utrustningen utan leverantörens godkännande. Originalreservdelar skall alltid användas.



Produkthaftung

Damit die Produkthaftung des Lieferanten ihre Gültigkeit behält, dürfen ohne ausdrückliche Genehmigung des Lieferanten keine Änderungen, Ergänzungen o. Ä. an der Ausrüstung vorgenommen werden. Verwenden Sie nur Originalteile.



Ответственность поставщика

Для сохранения ответственности нельзя вводить в оборудование изменения, дополнения и т.п. без разрешения поставщика. Пользуйтесь только оригинальными запасными частями, выпущенным изготовителем бензocolонки.

Caution

To prevent damage that might result in electric shock or fire, disconnect the main power prior to any work.

Varning

Gör pumpen/enheten strömlös innan Du gör ingrepp i den. I annat fall föreligger risk för skada.

Vorsicht

Um Beschädigungen zu vermeiden, die zu einem elektrischen Schlag oder Feuer führen können, unterbrechen Sie vor jeder Arbeit die Stromzufuhr.

Осторожно

Во избежание поражения электрическим током или пожара отключайте напряжение питания перед началом любых работ.

Warning

Never run a leaking pump! Be careful with the environment and mind the skidding risk; take care of leaking fuel immediately.

Varning

Använd aldrig en läckande pump. Tänk på miljön och halkrisken, sanera utläckt drivmedel snarast.

Warnung

Lassen Sie nie eine undichte Zapfsäule laufen! Seien Sie umweltbewusst und denken Sie an die Rutschgefahr; beseitigen Sie austretenden Kraftstoff umgehend.

Предупреждение

Не пользуйтесь колонкой при наличии утечки топлива! Охраняйте окружающую среду, помните об опасности скольжения: в случае утечки топлива на дорожное покрытие возле колонки, примите меры немедленно.

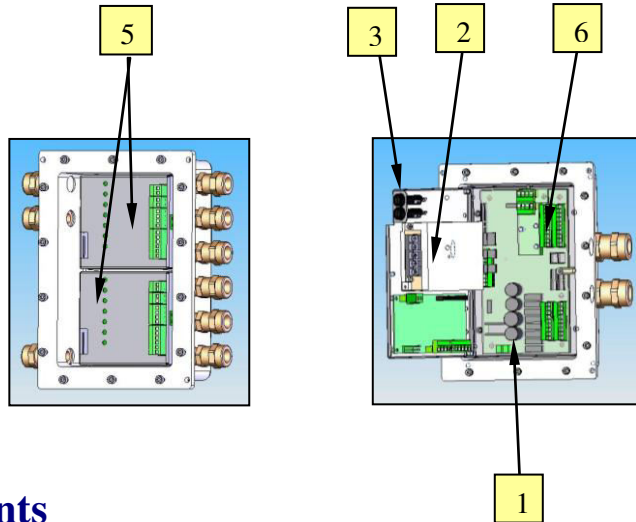
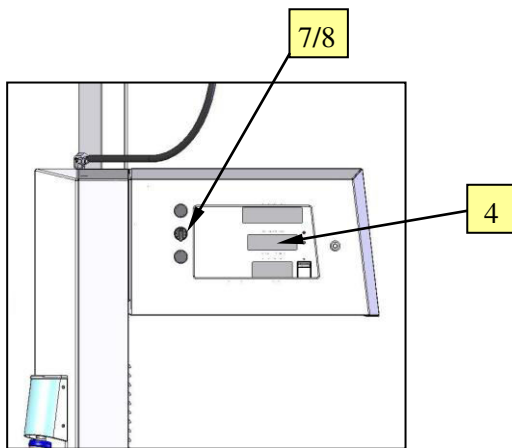
The contents of this publication may not be copied either wholly or in part without the consent of Dresser Wayne AB. Dresser Wayne AB reserves the right to change specifications contained in the text and illustrations without notice.

Innehållet i denna publikation får ej helt eller delvis kopieras utan medgivande från Dresser Wayne AB. Dresser Wayne AB förbehåller sig rätten att utan särskilt meddelande ändra specifikationer givna i text och bild.

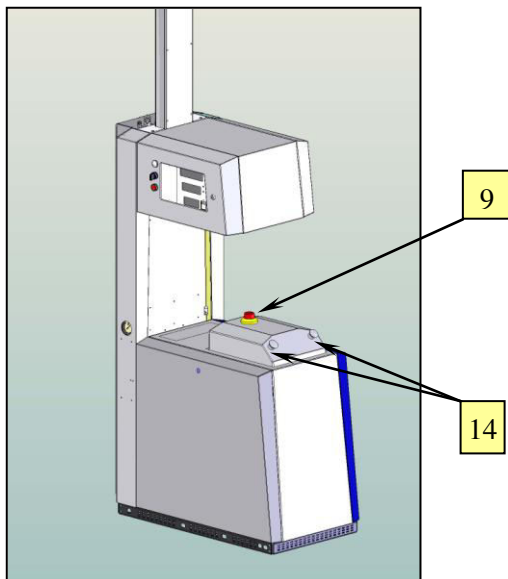
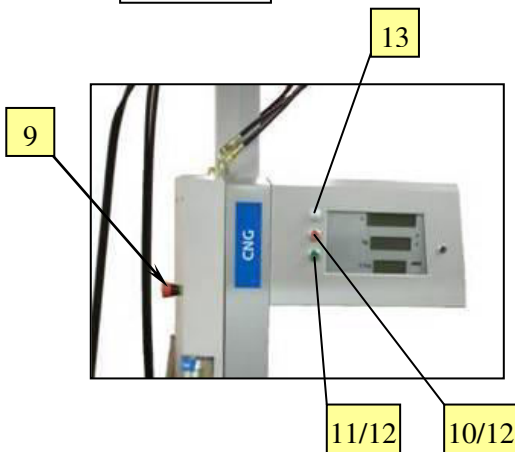
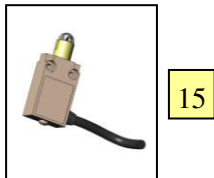
Der Inhalt dieses Handbuchs darf ohne die Erlaubnis von Dresser Wayne weder ganz noch teilweise kopiert werden. Dresser Wayne behält sich das Recht vor, textliche oder bildliche Inhalte ohne besondere Mitteilung zu ändern.

Не разрешается копировать полностью или частично содержание настоящей публикации без разрешения фирмы Dresser Wayne AB. Dresser Wayne AB оставляет за собой право вносить изменения в спецификации, содержащиеся в тексте и иллюстрациях, без предварительного уведомления.

1- Electrical: main components

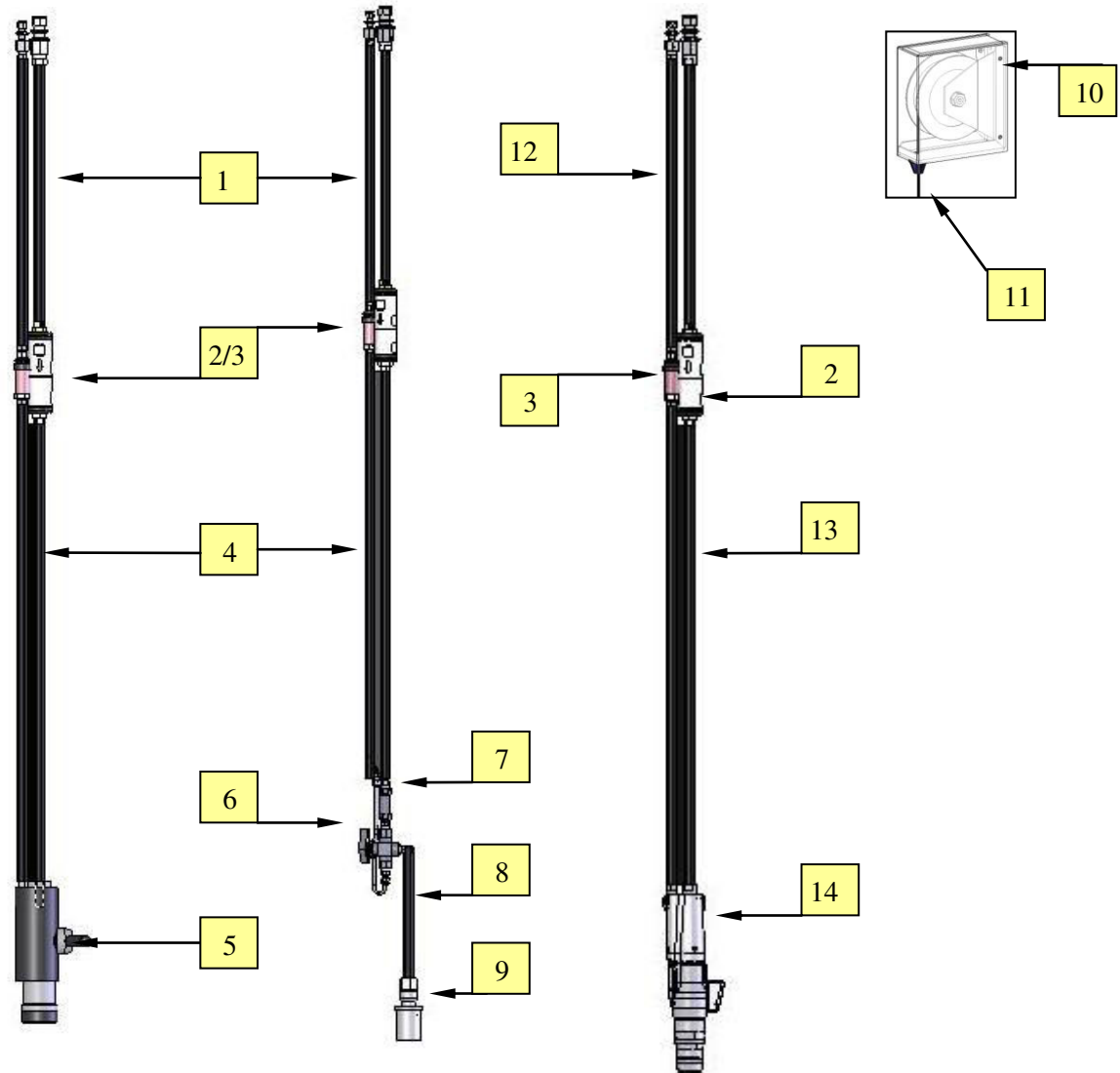


2- Electrical: optional components



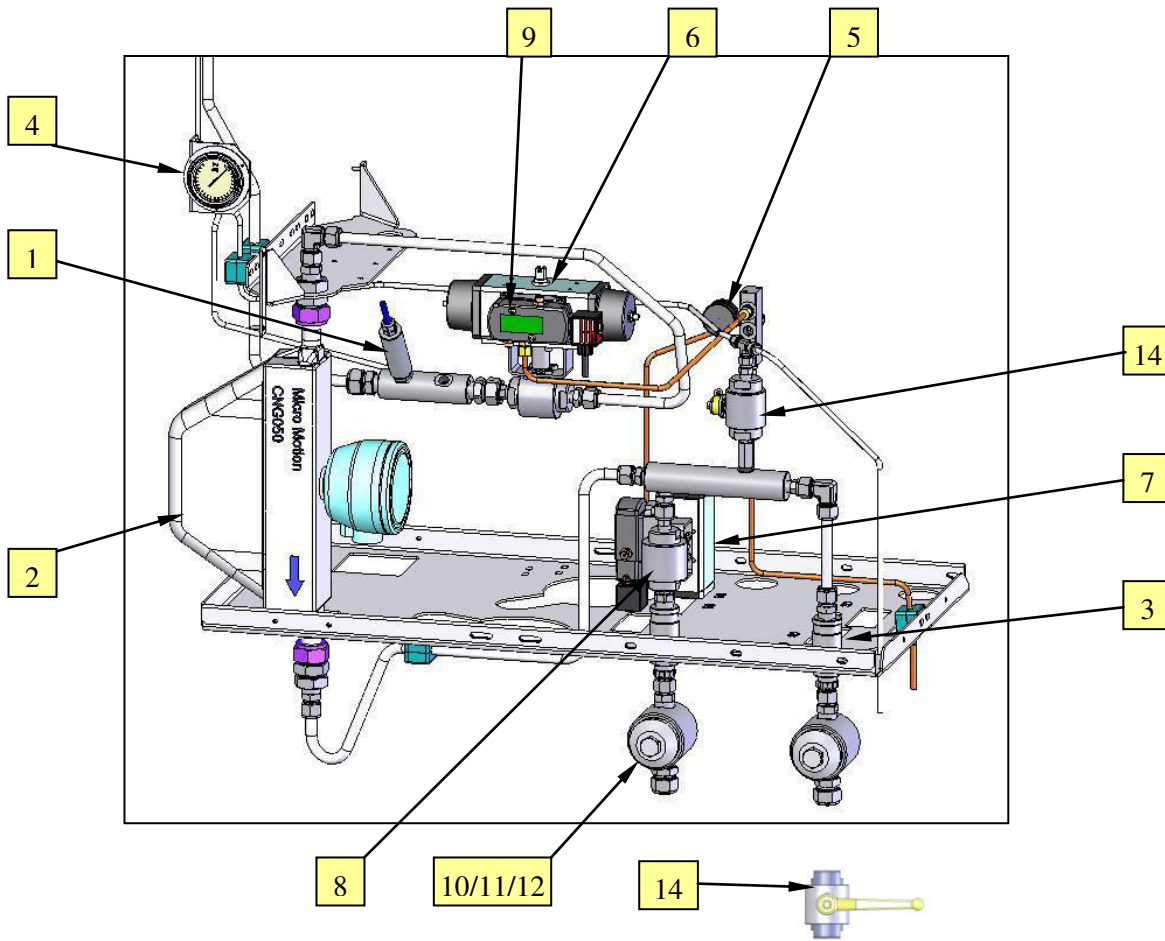
Pos.	Title	Item	Q.ty
1	CPU Board	WT002461-0001	1
2	Switching power supply	WT002492	2
3	Fuse 5x20 1.6 A	WT003115	2
4	Master display with totalizer	WT009754-0001	1
	Master display without totalizer	WT009754-0002	1
	Slave display board	TSO33109	1
5	Zener barrier	WT002329	1
6	RS 485 serial interface	TSO33097	1
	Board Rs232	TSO33098	1
	IFSF LON interface board	WM001829	1
	RS485 for IFSF LON interface board	TSO33126	1
	Comm.board doubl. Rs485	WT002473	1
7	Selector Start-Stop switch	WT003974-0003	2
8	Contact switch	WT003977	2
9	Emergency Stop Button (optional)		2
10	Push button RED P9MPNRS	WT003974-0001	2
11	Push button GREEN P9MPNRS	WT003974-0002	2
12	Contact switch P9B10VN	WT003977	4
13	Red/Green semaphore	TLO28991	2
14	Push button "homme mort"	WT009813-0001	2
15	Microswitch	WT009812	1

3- Nozzle hoses break-away hose retractor



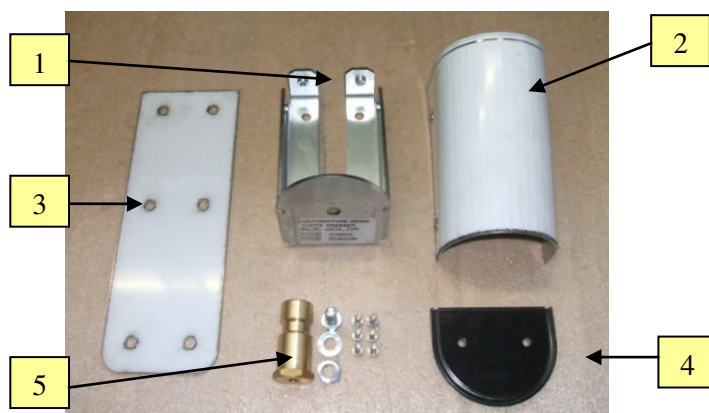
Pos.	Title	Item	Q.ty
1	Hose twin 1/4" L=1 mt.	TLO26759	2
2	Delivery break-away 9/16" (STAUBLI)	WT001857	2
3	Vent break-away 1/8" (STAUBLI)	WT001858	2
4	Hose twin 1/4" L=3 mt.	TLO26758	2
5	CNG fueling nozzle (NGV1 "SHEREX CT1000 S)	WT007885	2
6	3-way ball valve 1/4" NPT-F	WT003025	2
7	Check valve 1/4" NPT (PARKER)	TLO24782	2
8	Hose 3/8" 1/4" NPT L=0,35 mt.	WT007927	2
9	CNG fueling nozzle (EMER) - Italian type	TLO26422	2
9-a	O-ring ø 24.99X3,53	KHA024903501	2
9-b	O-ring ø 9.25X1,78	KHA009201701	2
10	Retractor reel	WM001585	2
11	Catalina black nylon cord	WM003772	2
12	Hose twin 3/8"-1/4" SINFLEX 35NG/3R80 l=1 mt.	TLO29762	2
13	Hose twin 3/8"-1/4" SINFLEX 35NG/3R80 l=3 mt.	TLO29763	2
14	CNG fueling nozzle NGV1 GMV09 (STAUBLI N 012 100 02)	WT009768	2

4- Hydraulics: main components



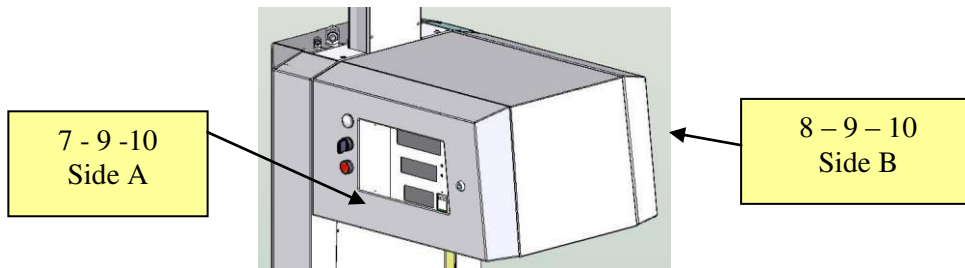
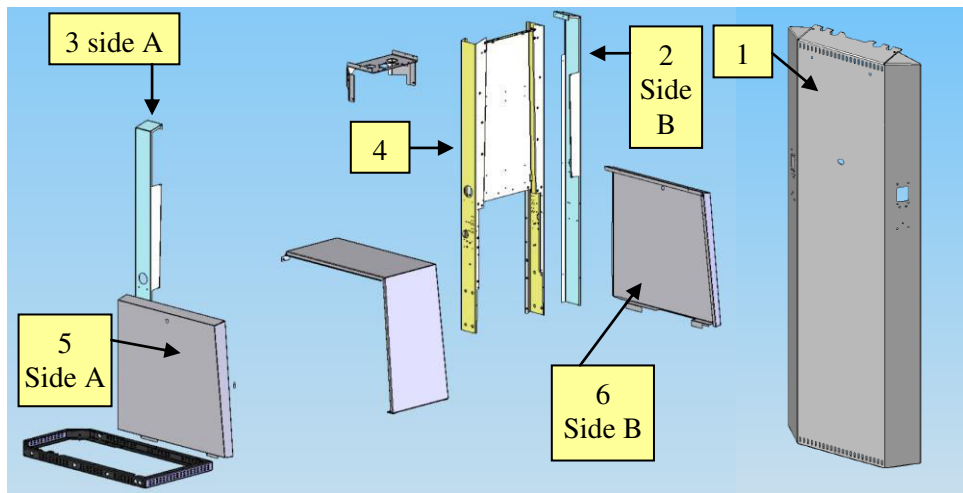
Pos.	Title	Item	Q.ty
1	Pressure transducer 0-400 bar	WT009691-0001	2
2	Micro Motion Mass Meter CNG050	TLO28597	2
3	Check valve cng ½" NPT	WT002582	4
3-a	Spring compression	WT002563	4
3-b	Ball	WT002561	4
3-c	Gasket	WT002562	4
4	Stainless steel pressure gauge DN63 0-400 bar	WT002254	2
5	Pressure gauge DN40 0-10 bar	WT002322	1
6	Ball valve ¼" with pneumatic actuator shut-off	WT002417	2
7	Ball valve ¼" with pneumatic actuator double effect	WT002414	2
8	Ball valve ¼" NPT (for WT002414 - WT002417)	WT002282	4
8-a	Kit seals ¼" for ball valve (for WT002282)	WT002998	4
9	Solenoid Valve	WT002413	4
10	Filter Cartridge	WT002388	2
11	O-ring	WT002392	2
12	O-ring	WT002752	2
13	Ball valve ¼" NPT-F manual	WT002290	2
14	Ball valve ½" NPT-F manual	WT002295	2

5-Nozzle boot components



Pos.	Title	Item	Q.ty
1	Supp. NOZZLE-BOOT NGV1-2-ITALY	WT002436	1
2	Cover NOZZLE-BOOT NGV1-2-ITALY	WT002437	1
3	Support Flat	WT002434	1
4	Cap	WT002438	1
5	COUPLING ADAPTER "ITALY"	WT002439	1
5	COUPLING ADAPTER "NGV 1"	WT002440	1


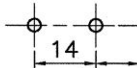



6-Frame: main components



Pos.	Title	Item	Q.ty
1	Side panel 1 nozzle - island	WT002665-0001	1
1	Side panel 2 nozzle - lane	WT002665-0002	1
2	Cover plate column side A	WT003134	1
3	Cover plate column side B	WT003135	1
4	Column	WM002317	1
5	Front panel side A White Ral 9010	WM003113-0001	1
6	Front panel side B White Ral 9010	WM003113-0002	1
7	Front panel side A	WT002755-0001	1
8	Front panel side B	WT002755-0002	1
9	Glass	WM002212	2
10	Gasket for glass (WM002211)	179238	2

7-Data Plate " ITALY " GS CNG phase IV

Part number : TLS65702

		DRESSER Italia S.r.l. Casavatore (NA) Stabilimento di Talamona (SO)
MISURATORE GLOBAL STAR CNG		
D.M. 08-10-2003 N° 1398280	D.M. 25-10-2006 N° 26783	
D.M. 30-07-2004 N° 6929	D.M. 15-11-2010 N° 165376	
D.M. 21-12-2005 N° 28934		
MATRICOLA N°	<input type="text"/>	
ANNO DI FABBRICAZIONE	<input type="text"/>	
Distributore associato ad apparecchiatura/e ausiliaria/e matr. N°		
<input type="text"/>		
Avvertenze al pubblico		
1) QUESTO STRUMENTO MISURA GAS NATURALE COMPRESSO (METANO) CON DENSITA' 0,65 + 0,85 kg/Sm ³		
2) PORTATA MASSIMA: 77 kg/min		
3) PORTATA MINIMA: 0,06 kg/min		
4) QUANTITA' MINIMA EROGABILE: 5 kg		
5) PRESSIONE MINIMA DI ESERCIZIO: 50 bar		
6) PRESSIONE MASSIMA DI ESERCIZIO: 220 bar		
7) PRIMA DELL' INIZIO DI OGNI EROGAZIONE L' INDICATORE DEVE ESSERE RIPORTATO A ZERO		
		
Distributore di gas naturale compresso modello GLOBAL STAR CNG		
USARE IL DISTRIBUTORE ESCLUSIVAMENTE NELLE ZONE PERICOLOSE CREATE DALLO STESSO		
VIETATO FUMARE E TENERE LUCI E MOTORI ACCESI		
		
		DRESSER Italia S.r.l. Talamona (SO) - Italia

8-After Sales Service - Warranty & European Parts Centre

<u>Sweden European Parts Centre</u>			
Contact Info:	Shipping Address:	Mailing Address:	Visitors Address:
Tel: +46 40 360500 E-mail: mmx.EPC@ge.com	Wayne EPC Brännögatan 1 211 24 Malmö Sweden	Wayne EPC P.O. Box 50559 202 15 Malmö Sweden	Wayne EPC Hanögatan 10 211 24 Malmö Sweden

<p><u>Germany</u></p> <p>Wayne Germany Dresser Europe GmbH Grimsehlstr. 44 37574 Einbeck Tel. +49 (0) 5561 / 794 -0 Fax +49 (0) 5561 / 794 -187 E-mail: info.de@dresser.com</p>	<p><u>Italy</u></p> <p>Wayne, A GE Energy Business Dresser Italia s.r.l Via Roma, 772 23018 TALAMONA (SO), Italy Tel +39 0342 608111 Fax +39 0342 608268</p>	<p><u>UK</u></p> <p>Dresser Wayne, DI UK Ltd Butlerfield Industrial Estate, Bonnyrigg, Midlothian, Scotland. EH19 3JQ Tel. +44 (0)1875 402140 Fax +44 (0)1875 400010 E-mail: UK.Sales@Dresser.com</p>
--	---	--
